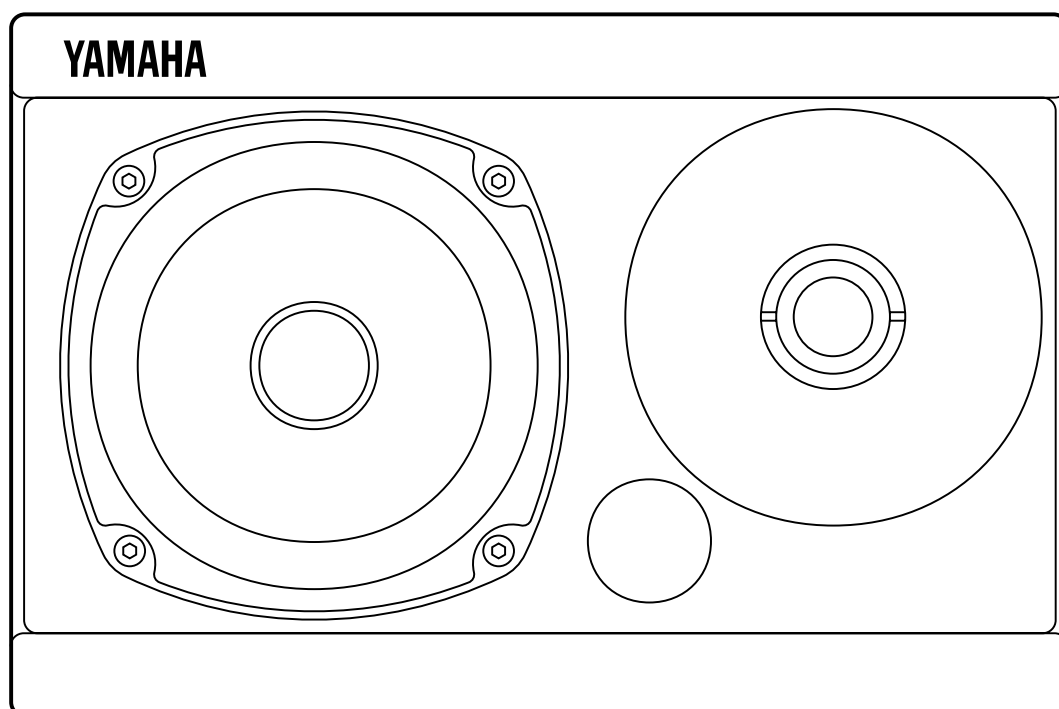


# YAMAHA

SPEAKER SYSTEM

# S15/S15W

OPERATION MANUAL



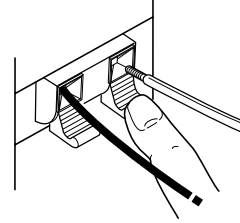
Thank you for choosing the Yamaha S15/S15W speaker system. The S15/S15W is a compact two-way bass-reflex speaker system equipped with a 12 cm (5") woofer and a 2.5 cm (1") tweeter. From powerful bass to delicate high-frequency sounds, the system provides well-balanced high quality sound reproduction over the entire frequency range. To obtain maximum performance from your Yamaha speaker system we recommend that you read this operation manual thoroughly.

## PRECAUTIONS

- Be sure to turn the amplifier power OFF before attempting to connect the speakers.
- To avoid distortion and possible damage to the speaker units, never drive the speakers with more than their maximum rated power.
- The nominal impedance of the speaker system is 6 Ω. Since the output characteristics of the amplifier vary depending on the load impedance, the load impedance has a tolerance. If you are expanding the speaker system, be sure to observe the range of specified amplifier load impedance.
- When two or more speakers are driven by separate power amplifier channels, be sure that all speakers are connected in phase to avoid a loss in output level and sound quality.

## CONNECTION

Connect the speaker cables from the input terminals on the rear of the system. The red input terminal on the system should be connected to the output terminal (+) on the power amplifier, and the black output terminal should be connected to the output (-). Incorrect polarity will impair bass sounds, producing an unnatural sound.



Press the lever

## ABOUT THE PROTECTION CIRCUIT

The tweeter in this speaker system has an internal protection circuit that shuts off the tweeter when an excessive input signal is applied.

If the tweeter emits no sound (i.e., the sound lacks high frequency content), reduce the volume level of the amplifier immediately. The sound will return automatically in several seconds.

## SPECIFICATIONS

Speaker Unit	LF: 12 cm (5") Cone HF: 2.5 cm (1") Horn
Enclosure	Bass reflex
Frequency Range	65 Hz–40 kHz
Nominal Impedance	6 Ω
Sensitivity	88 dB SPL (1watt, 1m)
Power Capacity :	Noise 40 watts PGM 80 watts Max 160 watts
Crossover Freq.	3.5 kHz
Protection Circuit	Automatic return type
Connectors	Push terminal
Dimensions (W × H × D)	241 × 160 × 145 mm
Weight	2.8 kg

\* Design and specifications are subject to change without notice.