

YAMAHA JA-6681/JA-6681B

¥60,000(1本、1980年頃)

HOLD IT BEFORE YOU BUY A COMPRESSION DRIVER.

Before you choose one of the "old standard" compression drivers, consider this — Yamaha's advanced technology and years of experience have produced a new standard — the JA-6681B high frequency compression driver. Engineered with subtle improvements that make a not-so-subtle improvement in performance and durability.

Yamaha's exclusive suspension consists of beryllium-copper fingers bonded to a rigid, pneumatically

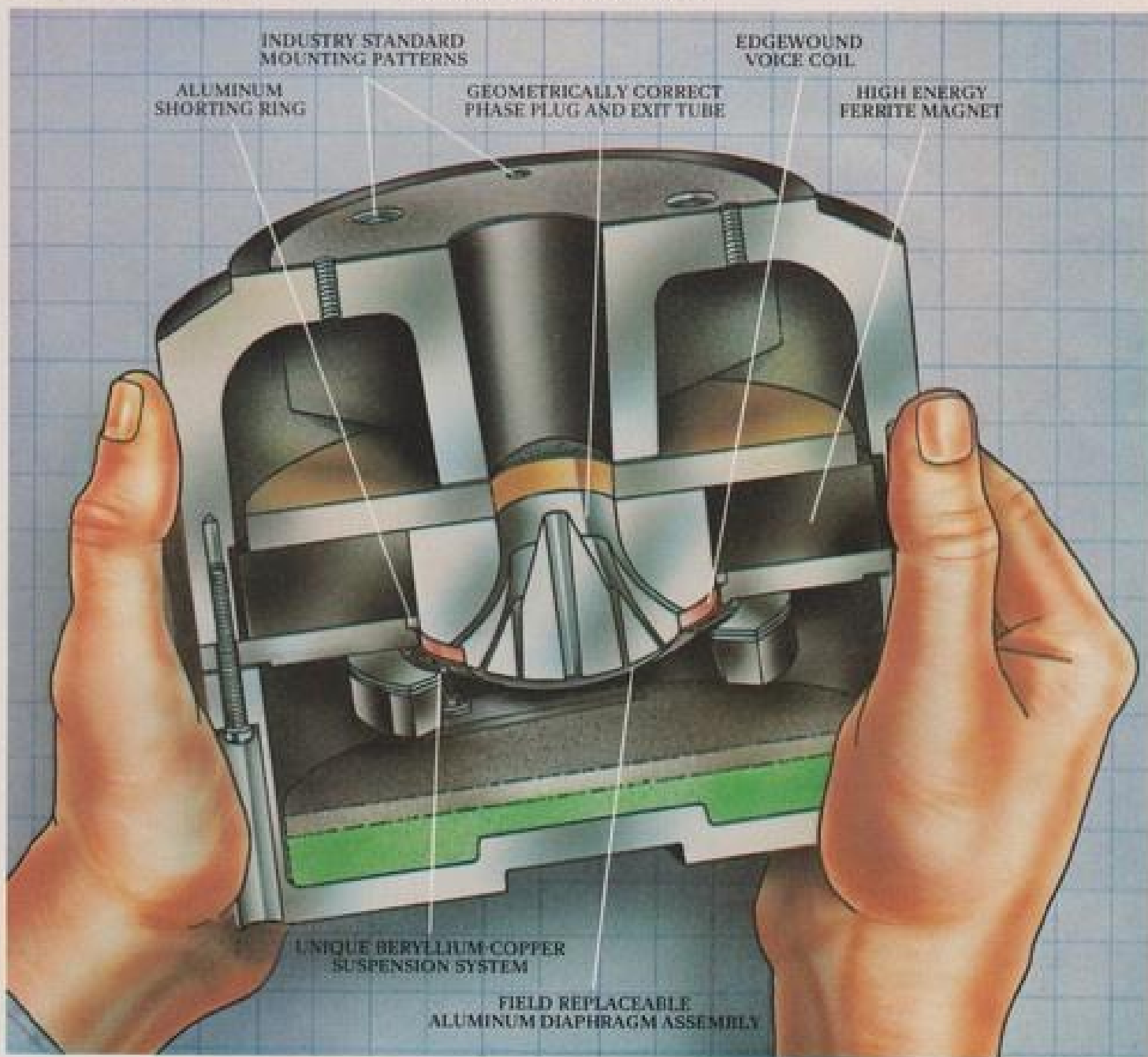
formed aluminum diaphragm whose low mass yields optimum response and low distortion. Since extreme excursions cannot cause the suspension to "take a set," sound quality remains excellent throughout the driver's lifetime.

To deliver more sound per watt and long-term reliability, we use a very powerful ferrite magnet which retains the driver's high sensitivity through thousands of hours of severe use. An aluminum shorting ring prevents

magnetic flux modulation at power levels, further reducing distortion.

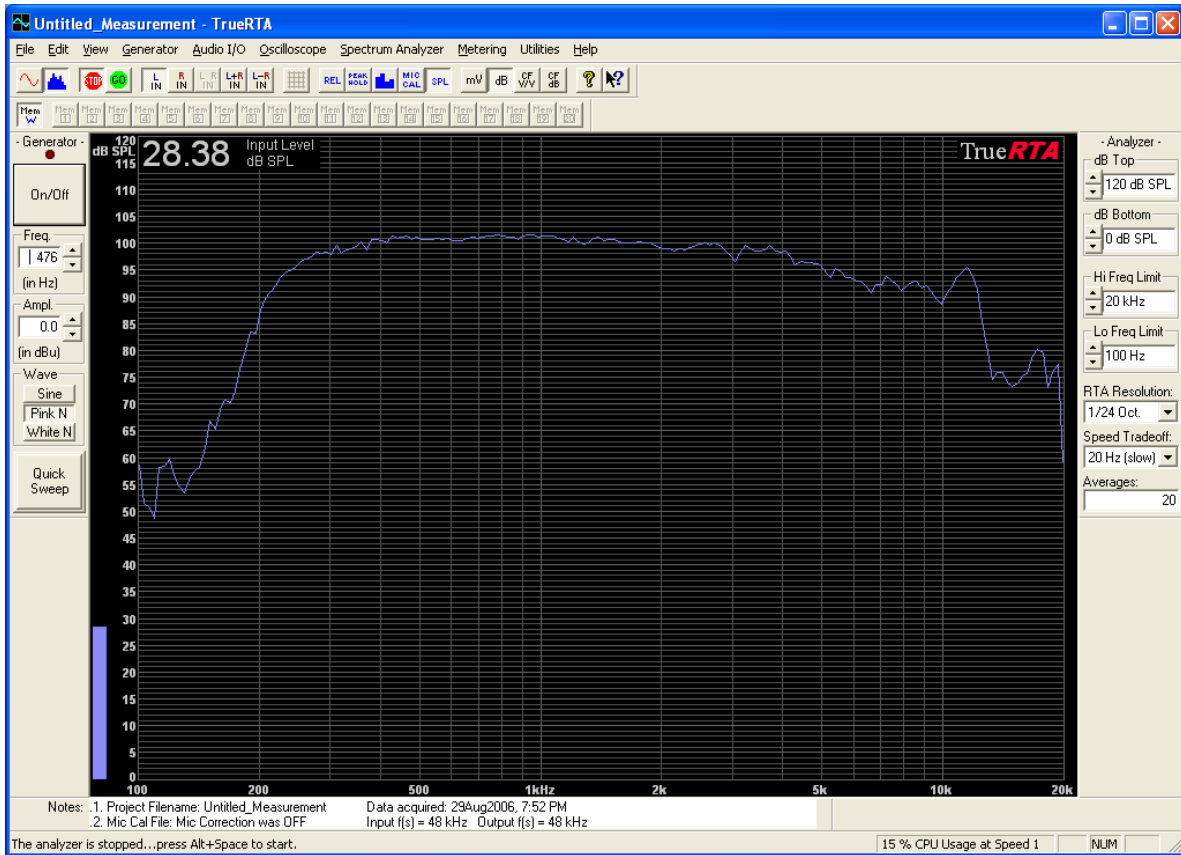
These are just a few of the reasons Yamaha outperforms and outlasts the others. For the whole story, write: Yamaha, P.O. Box 6600, Buena Park, CA 90622. Or visit your Yamaha dealer and hear the difference. You'll be glad you held out for a Yamaha.

Because you're serious.

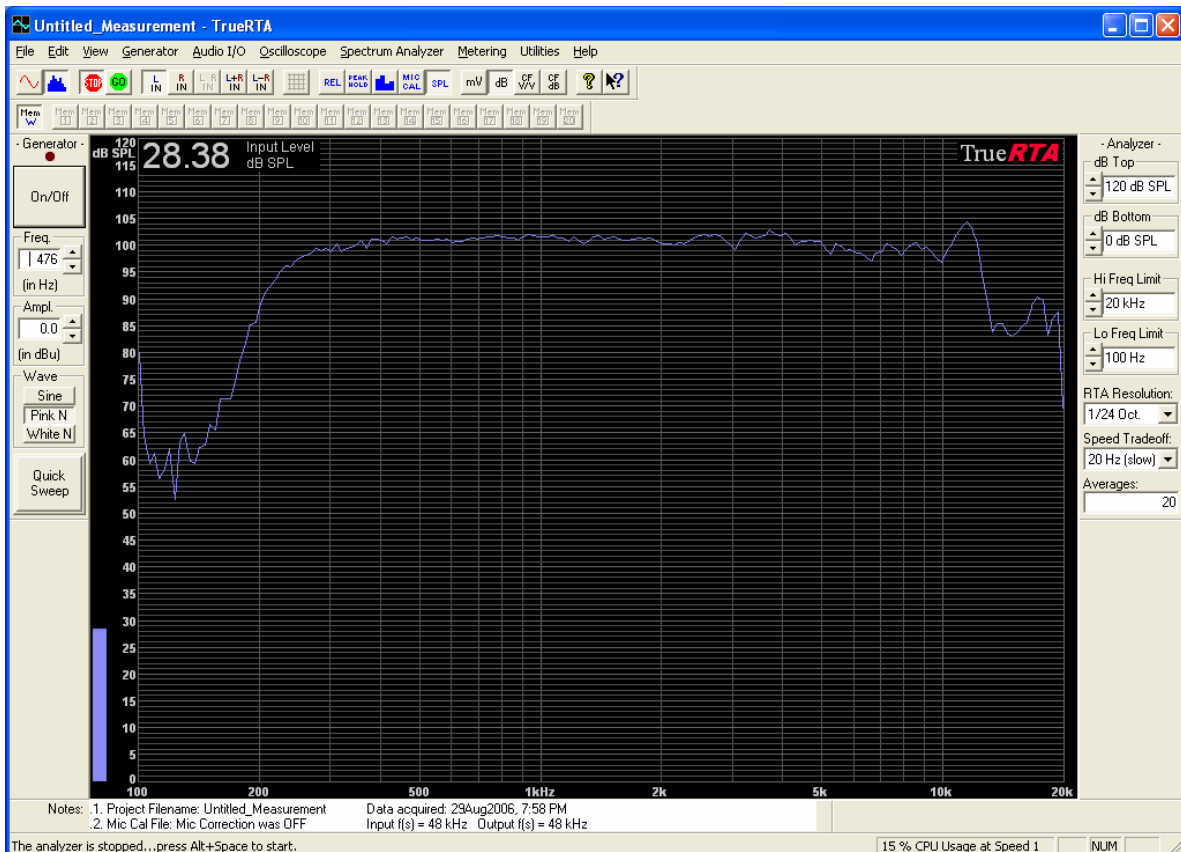


Or Yamaha Canada Music Ltd., 135 Milner Ave., Scarborough, Ontario M1S 2R1

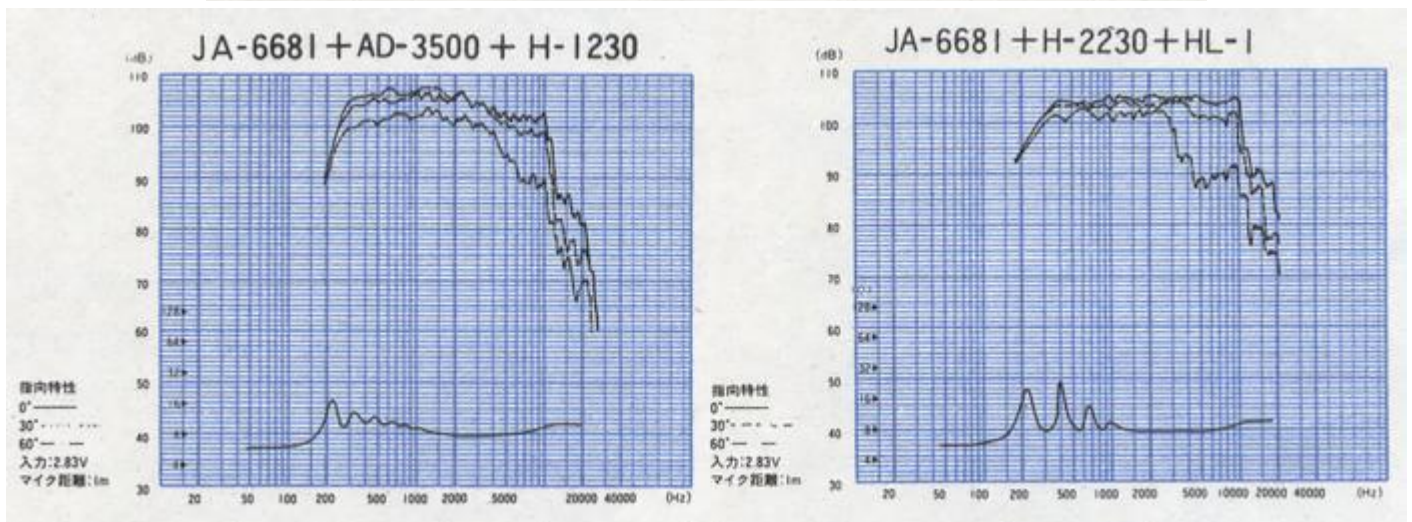
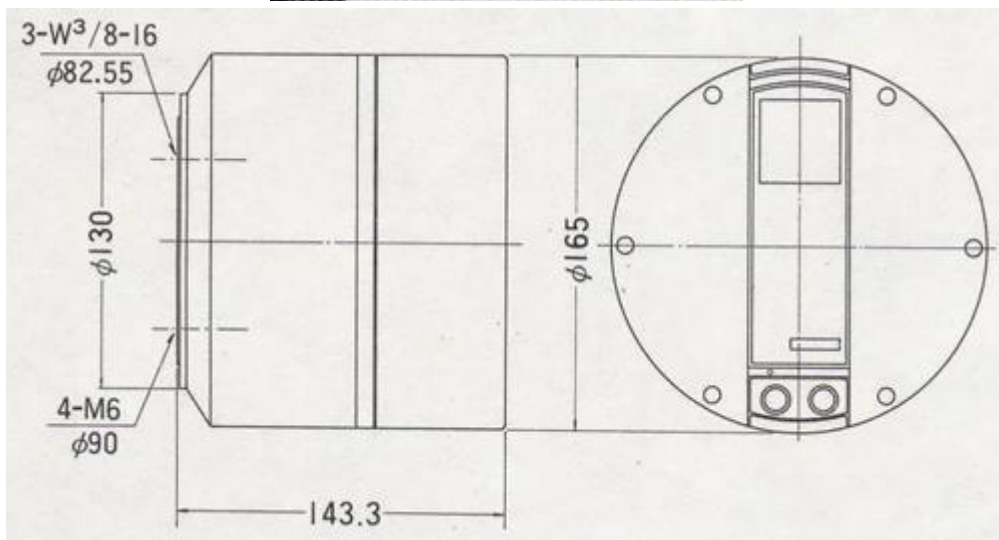
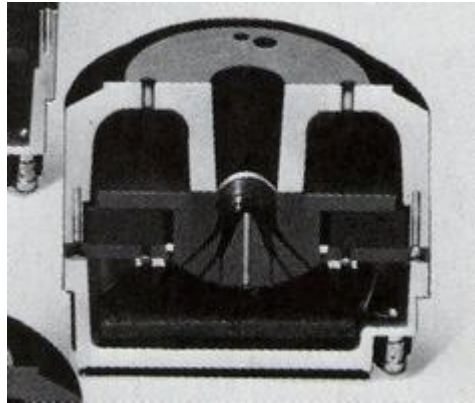
Yamaha 6681B Driver on AH-204 horn



200Hz HP , sweep, mic at horn mouth



200Hz HP , sweep, mic at horn mouth – 6dB HP from 3K5



型式	中域用ホーンドライバーユニット
公称インピーダンス	JA-6681:8Ω JA-6681B:16Ω
再生周波数帯域	300Hz ~ 12kHz
推奨使用帯域	500Hz以上
定格入力	20W
最大入力	40W
出力音圧レベル	107dB/W・m
振動板	ドーム状アルミ合金
ボイスコイル口径	66.6φmm
イコライザー	亜鉛ダイキャスト(4スリット)
マグネット	フェライト、1.1kg
磁束密度	17,500gauss
総磁束	110,000maxwell
適合ホーン	H-1230(AD-3500が必要) H-2230
スロート径	35mm
外形寸法	直径165mmx高さ144.4mm
重量	6.75kg