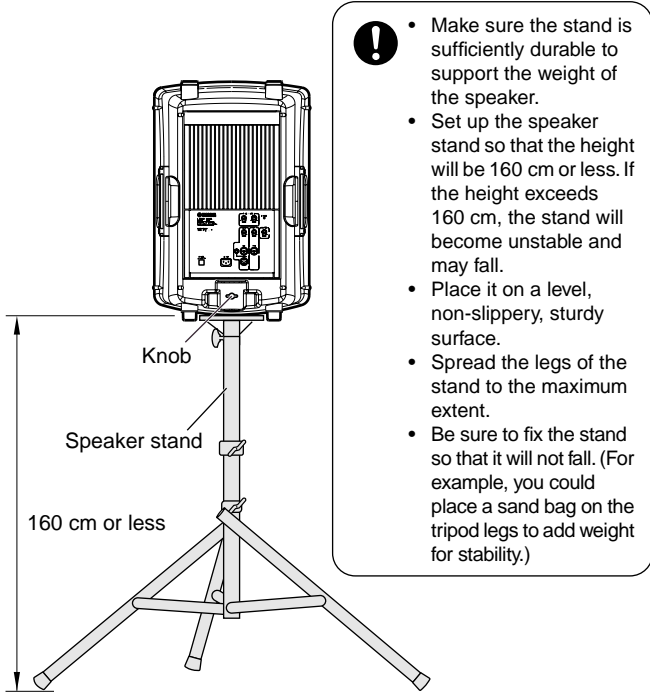


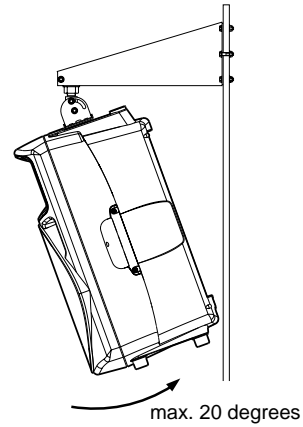
- You need a BAD251 bracket adapter to use a BWS251-400, BCS251, or BBS251 speaker bracket.

Speaker stand

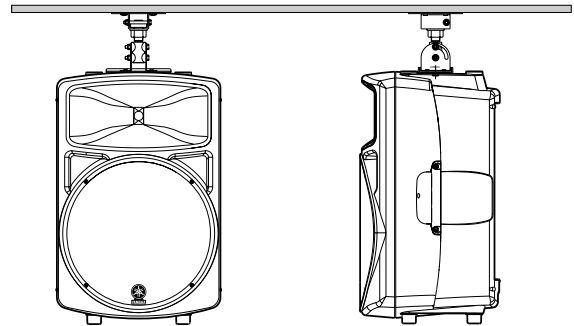


- Make sure the stand is sufficiently durable to support the weight of the speaker.
- Set up the speaker stand so that the height will be 160 cm or less. If the height exceeds 160 cm, the stand will become unstable and may fall.
- Place it on a level, non-slippery, sturdy surface.
- Spread the legs of the stand to the maximum extent.
- Be sure to fix the stand so that it will not fall. (For example, you could place a sand bag on the tripod legs to add weight for stability.)

BWS251-400 suspended speaker bracket and BAD251 adapter

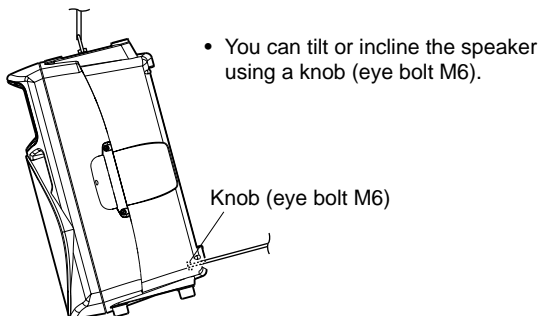
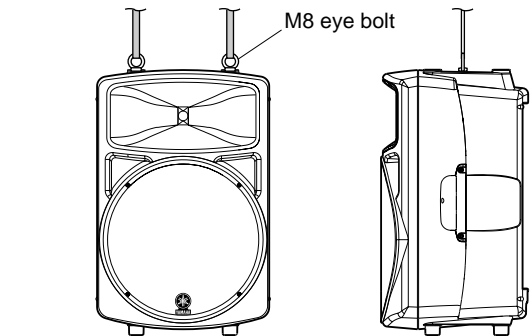


BCS251 ceiling speaker bracket and BAD251 adapter



Ceiling suspending with eye bolts

* M8 eye bolts are optional.



- You can tilt or incline the speaker using a knob (eye bolt M6).

BBS251 baton speaker bracket and BAD251 adapter

