

# NuQ

## NuQ152-FY

Flying Yoke for NuQ152 Loudspeakers



- Steel flying yoke for NuQ152 loudspeakers
- Allows horizontal and vertical rotation of loudspeakers for optimum audience coverage
- Hard wearing semi matt black powder coat finish
- 3-Year Warranty Program\*
- Designed and engineered in England

The NuQ152-FY is a matt black, powder coated flying yoke specifically designed to hang the NuQ152 in standalone applications, such as ceiling mounting in bars or clubs, or as an under-balcony fill. The NuQ152-FY consists of: a fly yoke; a pair of side plates, which attach to the sides of the loudspeaker; and a pair of plastic handle screws that secure the fly yoke to the side plates. Once the enclosure has been adjusted for the desired coverage, the handle screws are tightened to maintain that angle.

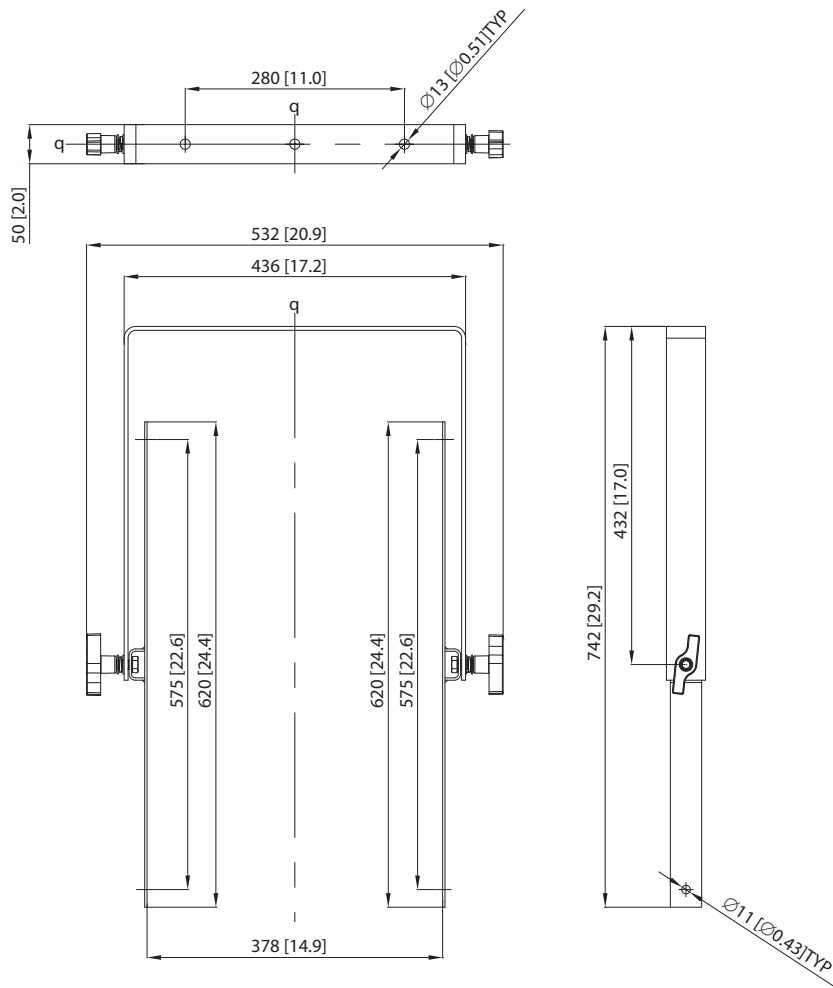


# NuQ

## NuQ152-FY

Flying Yoke for NuQ152 Loudspeakers

### Dimensions

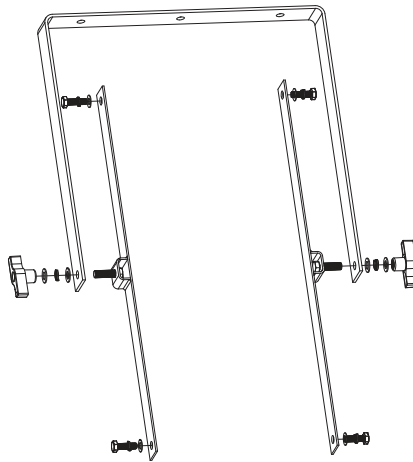


# NuQ

## NuQ152-FY

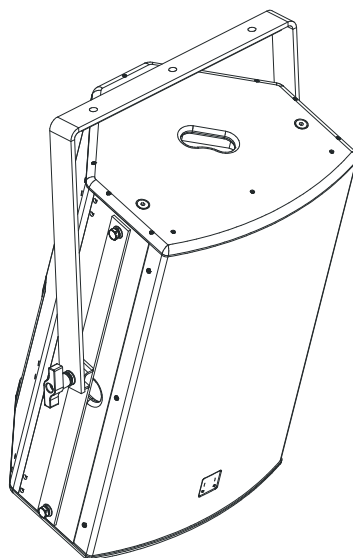
Flying Yoke for NuQ152 Loudspeakers

### Contents:



### Mounting and Rigging Examples

The NuQ152-FY fly yoke allows the [NuQ152](#) cabinet to be surface and scaffold mounted, and angled for optimum positioning and coverage.



# NuQ

## NuQ152-FY

Flying Yoke for NuQ152 Loudspeakers



# NuQ

## NuQ152-FY

Flying Yoke for NuQ152 Loudspeakers



# NuQ

## NuQ152-FY

Flying Yoke for NuQ152 Loudspeakers



For service, support or more information contact the TURBOSOUND location nearest you:

**Europe**  
**MUSIC Group Services UK**  
Tel: +44 156 273 2290  
Email: CARE@music-group.com

**USA/Canada**  
**MUSIC Group Services NV Inc.**  
Tel: +1 702 800 8290  
Email: CARE@music-group.com

**Japan**  
**MUSIC Group Services JP K.K.**  
Tel: +81 3 6231 0454  
Email: CARE@music-group.com

MUSIC Group accepts no liability for any loss which may be suffered by any person who relies either wholly or in part upon any description, photograph, or statement contained herein. Technical specifications, appearances and other information are subject to change without notice. All trademarks are the property of their respective owners. MIDAS, KLARK TEKNIK, TURBOSOUND, BEHRINGER, BUGERA and DDA are trademarks or registered trademarks of MUSIC Group IP Ltd. © MUSIC Group IP Ltd. 2015 All rights reserved.