

Portable Speakers

iQ15B

3,000 Watt
15" Powered Subwoofer with
KLARK TEKNIK DSP Technology,
Speaker Modelling and
ULTRANET Networking

- Front loaded powered subwoofer for portable PA and installation applications
- 3,000 Watt power featuring KLARK TEKNIK Class-D technology
- KLARK TEKNIK Digital Signal Processing for total system control
- Speaker modelling includes accurate models of industry standard speakers
- ULTRANET digital audio networking connects to mixers and other sources
- High excursion 15" low frequency driver with 4" voice coil and double suspension
- Fully featured user interface with LCD display for ease of navigation
- PC remote control software downloadable at turbosound.com
- Birch plywood enclosure with hard wearing semi matt black paint finish
- Rugged powder coated perforated steel mesh grille
- 35 mm pole mount to support satellite speaker
- Plated steel castors with rubber tyres
- Mains input and link output on Neutrik powerCON* connectors
- 3-Year Warranty Program**
- Designed and engineered in England



The 3,000-Watt iQ15B is a front loaded 15" powered subwoofer ideally suited for a wide range of portable and fixed installation, music and speech sound reinforcement applications. The high excursion 15" low frequency driver with double suspension low mass 4" voice coil provides fast and accurate transient response for virtually distortion-free operation – even in the most demanding performances.



Equipped with a very efficient and lightweight KLARK TEKNIK Class-D power amplifier, the iQ15B provides an impressive 3,000 Watts of output power. A high degree of control over the loudspeaker system's performance is managed by a sophisticated, but easy to use KLARK TEKNIK Digital Signal Processor (DSP), which provides dynamic EQ and transparent limiting for the utmost punch and definition at high output levels – and long-term reliability. iQ15B's advanced DSP speaker modelling presets include detailed and accurate models of some of the audio industry's most-respected speaker systems.

On the rear panel amplifier module, you will find a fully featured user interface consisting of an LCD display, the Channel A/B gain control, and a single rotary encoder for intuitive access to level, EQ, Speaker modelling, and Feedback Control (FBI). In addition to the two combination balanced XLR/jack inputs and balanced XLR outputs for powered satellite loudspeakers, the iQ15B features a mic/line switch and level control with signal present LED.

*All third-party trademarks are the property of their respective owners. Their use neither constitutes a claim of the trademark nor affiliation of the trademark owners with MUSIC Group. Product names are mentioned solely as a reference for compatibility, effects and/or components.

**Warranty details can be found at music-group.com.

iQ15B

3,000 Watt
15" Powered Subwoofer with
KLARK TEKNIK DSP Technology,
Speaker Modelling and
ULTRANET Networking

The iQ15B also features our proprietary ULTRANET technology, which allows the use of CAT5 cables for transmitting pristine multi-channel audio signals and other information between ULTRANET-enabled products, such as digital mixers, powered loudspeakers, and personal monitor systems. This digital distribution networking not only eliminates the potential for RFI and crosstalk so common to analogue methods, but also significantly reduces the setup or installation time required. An onboard USB port provides access for remote control of the iQ15B via PC computer, as well as DSP and speaker modelling firmware updates.

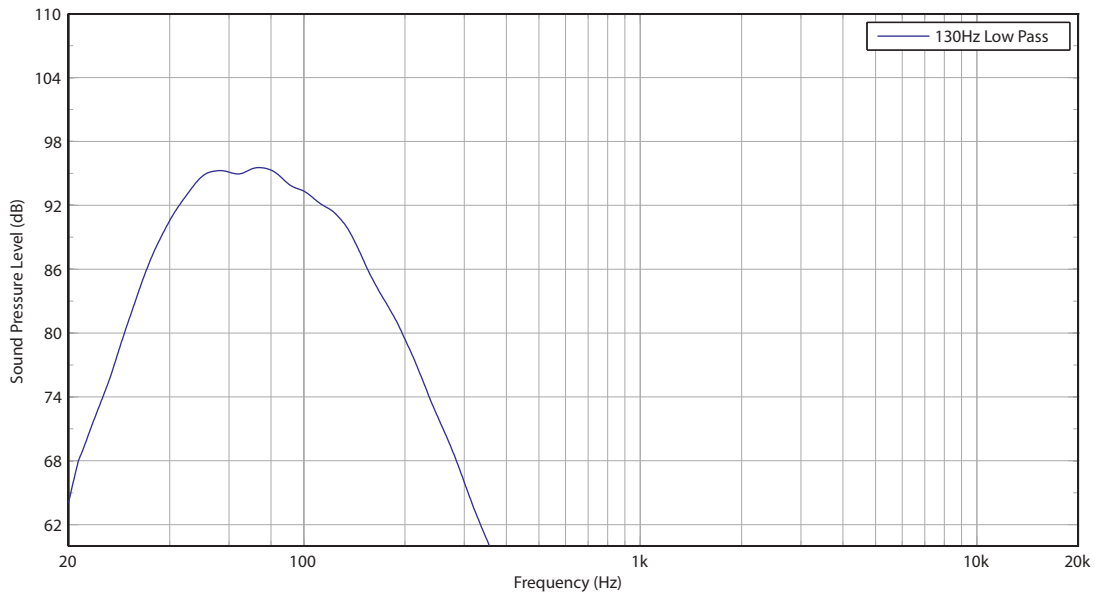
The birch plywood enclosure is finished in a hard wearing semi matt black paint and fitted with a rugged powder coated perforated steel mesh grille, 35 mm pole mount to support a satellite speaker, and plated steel castors with rubber tyres. Mains power input and link output is provided via Neutrik powerCON* connectors.

Portable Speakers

iQ15B

3,000 Watt
15" Powered Subwoofer with
KLARK TEKNIK DSP Technology,
Speaker Modelling and
ULTRANET Networking

Frequency Response Sensitivity 1 W / 1 m

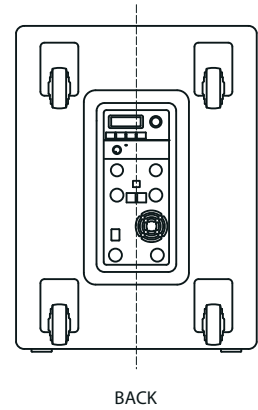
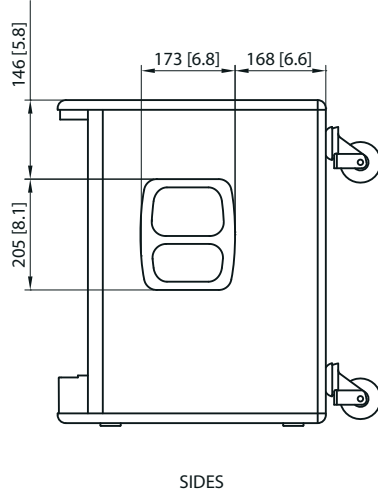
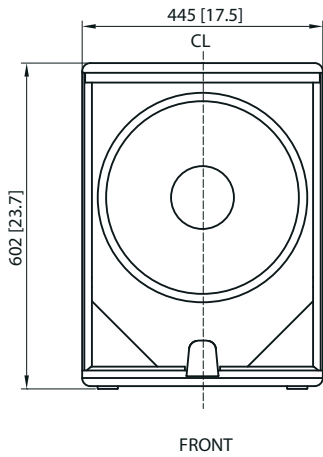
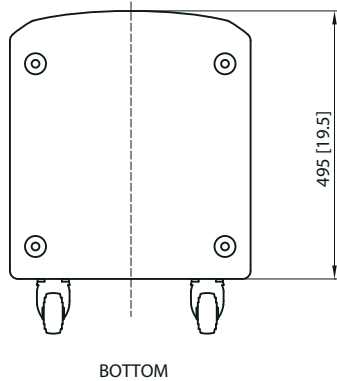
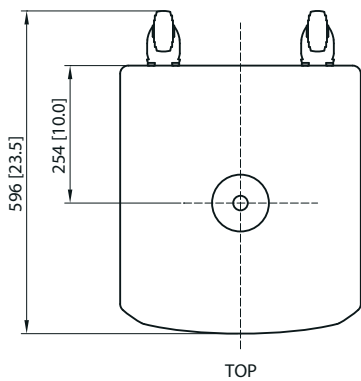


Portable Speakers

iQ15B

3,000 Watt
15" Powered Subwoofer with
KLARK TEKNIK DSP Technology,
Speaker Modelling and
ULTRANET Networking

Dimensions



Portable Speakers

iQ15B

3,000 Watt
15" Powered Subwoofer with
KLARK TEKNIK DSP Technology,
Speaker Modelling and
ULTRANET Networking

Technical Specifications

System

Frequency response	50 Hz – 130 Hz \pm 3 dB 40 Hz – 130 Hz -10 dB
Nominal dispersion	Half Space
Maximum SPL	130 dB peak
Crossover type	Active
Transducers	1 x 15" (385.7 mm) LF driver
Limiter	Peak and rms

Amplifier

Maximum output power*	3,000 W
Type	Class-D
Protection	Short circuit, open circuit, thermal

Connectors

Input A / B	2 x combo jack/XLR
Sensitivity	Line +4 dBu
Input impedance	20 k Ω unbalanced, 40 k Ω balanced
Maximum input level	+21 dBu
Output A / B	2 x XLR Linked to input
Mix output	N/A
Output impedance	N/A
Ultranet input/link	2 x RJ45
Mains Supply	Neutrik powerCON input 20A and link 15A

Controls

DSP	Rotary push-encoder Buttons for PROCESS, SETUP, EXIT, ENTER
Mixer section	1 x gain controls (channels A and B) 2 x Line

User DSP Functions

Factory EQ presets	Positioning, Sound mode
Display	LCD 128 x 32, blue backlit
Delay	0 - 300 ms
Equalisation	High and low shelving EQ 2 x parametric EQ
Limiter	Zero attack input limiter
Presets	20 total presets, 19 user-definable
Crossover	Low Pass L-R 24 dB/oct
Protection	Lock-out function for all settings

Ultranet Digital Network

System Signal Latency	16 channels < 0.9 ms
Cabling Cables Cable length	Shielded CAT5 max. 246 ft / 75 m recommended

Power Supply

Power consumption	200 W @ 1/8 max power
Voltage (fuses)	
USA / Canada	120 V~, 60 Hz (T 15 A H 250 V)
UK / Australia / Europe	220-240 V~, 50/60 Hz (T 10 A H 250 V)
Korea / China	220-240 V~, 50/60 Hz (T 10 A H 250 V)
Japan	100 V~, 50/60 Hz (T 15 A H 250 V)

Enclosure

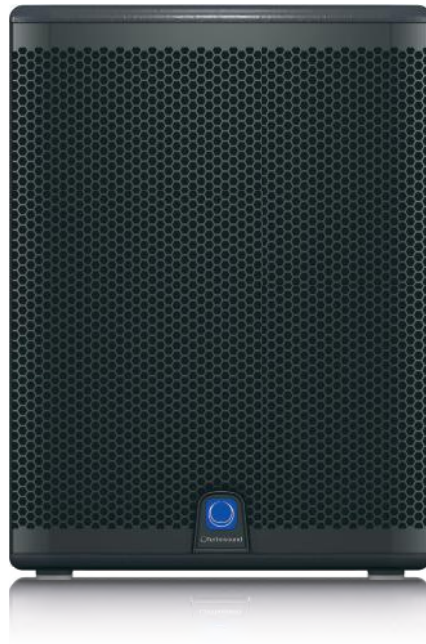
Dimensions HWD	602 x 444 x 495mm (23.7 x 17.5 x 19.5")
Net weight	30.6 kg (67 lbs)
Construction	Birch plywood, screwed, and glued
Finish	Black painted
Grille	Powder coated perforated steel
Flying hardware	N/A

*independent of limiters and driver protection circuits

Portable Speakers

iQ15B

3,000 Watt
15" Powered Subwoofer with
KLARK TEKNIK DSP Technology,
Speaker Modelling and
ULTRANET Networking



Portable Speakers

iQ15B

3,000 Watt
15" Powered Subwoofer with
KLARK TEKNIK DSP Technology,
Speaker Modelling and
ULTRANET Networking



Portable Speakers

iQ15B

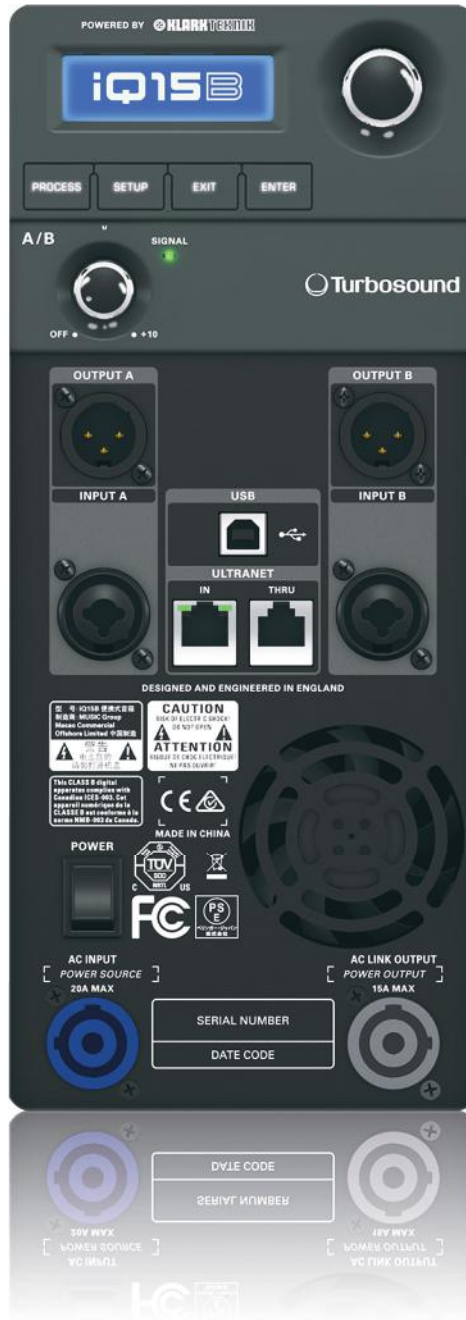
3,000 Watt
15" Powered Subwoofer with
KLARK TEKNIK DSP Technology,
Speaker Modelling and
ULTRANET Networking



Portable Speakers

iQ15B

3,000 Watt
15" Powered Subwoofer with
KLARK TEKNIK DSP Technology,
Speaker Modelling and
ULTRANET Networking



For service, support or more information contact the TURBOSOUND location nearest you:

Europe
MUSIC Group Services UK
 Tel: +44 156 273 2290
 Email: CARE@music-group.com

USA/Canada
MUSIC Group Services NV Inc.
 Tel: +1 702 800 8290
 Email: CARE@music-group.com

Japan
MUSIC Group Services JP K.K.
 Tel: +81 3 6231 0454
 Email: CARE@music-group.com

MUSIC Group accepts no liability for any loss which may be suffered by any person who relies either wholly or in part upon any description, photograph, or statement contained herein. Technical specifications, appearances and other information are subject to change without notice. All trademarks are the property of their respective owners. MIDAS, KLARK TEKNIK, TURBOSOUND, BEHRINGER, BUGERA and DDA are trademarks or registered trademarks of MUSIC Group IP Ltd. © MUSIC Group IP Ltd. 2015 All rights reserved.

