

CEILING SPEAKER SYSTEM

F-1522SC

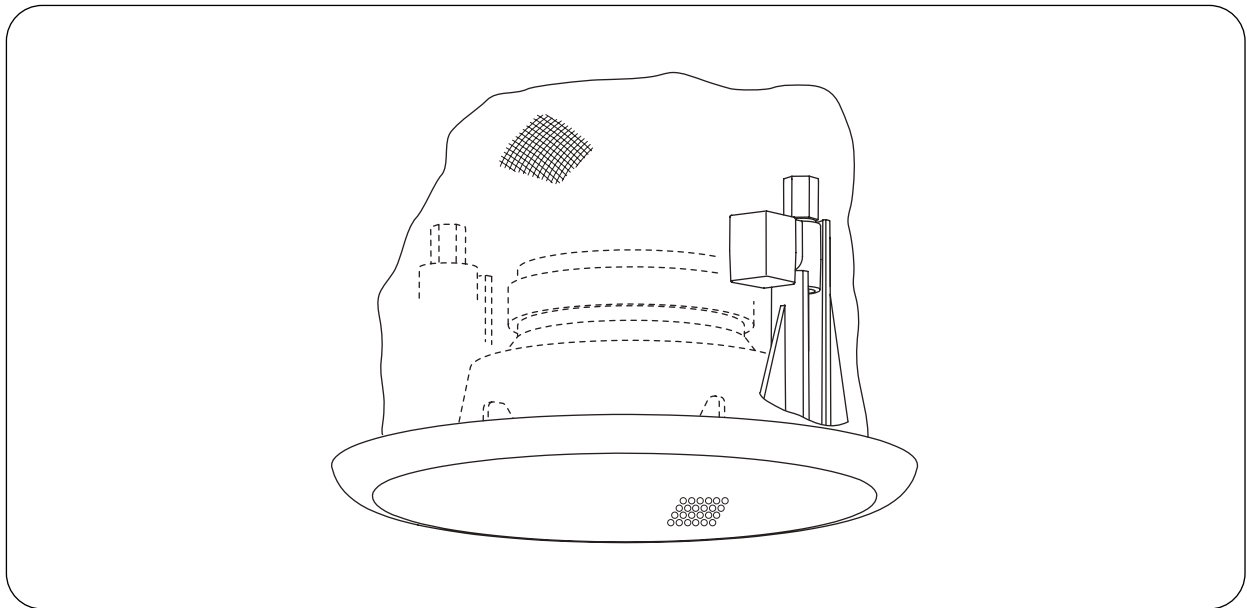


TABLE OF CONTENTS

1. SAFETY PRECAUTIONS	2	6. REMOVING THE SPEAKER FOR MAINTENANCE	6
2. GENERAL DESCRIPTION	3	7. REPAINTING THE SPEAKER	7
3. FEATURES	3	8. SPECIFICATIONS	8
4. NOMENCLATURE AND DIMENSIONS	3	Accessories	8
5. INSTALLATION	4	Optional Component	8

Please follow the instructions in this manual to obtain the optimum results from this unit. We also recommend that you keep this manual handy for future reference.

1. SAFETY PRECAUTIONS

- Be sure to read the instructions in this section carefully before use.
- Make sure to observe the instructions in this manual as the conventions of safety symbols and messages regarded as very important precautions are included.
- We also recommend you keep this instruction manual handy for future reference.

Safety Symbol and Message Conventions

Safety symbols and messages described below are used in this manual to prevent bodily injury and property damage which could result from mishandling. Before operating your product, read this manual first and understand the safety symbols and messages so you are thoroughly aware of the potential safety hazards.



WARNING

Indicates a potentially hazardous situation which, if mishandled, could result in death or serious personal injury.



CAUTION

Indicates a potentially hazardous situation which, if mishandled, could result in moderate or minor personal injury, and/or property damage.



WARNING

- Leave the installation to your TOA dealer because the installation requires expert knowledge. Improper installation may cause the unit to fall, resulting in personal injury and/or property damage.
- Install the unit in a location that can structurally support the weight of the unit and its mounting hardware. Doing otherwise may result in the unit falling down and causing personal injury and/or property damage.
- Do not use other methods than specified to mount the unit. Extreme force is applied to the unit and the unit could fall off, possibly resulting in personal injuries.
- Tighten each screw securely. Ensure that the unit has no loose joints after installation to prevent accidents that could result in personal injury.
- Use the specified mounting hardware in combination. Doing otherwise may cause the unit or component to fall off, resulting in personal injury.

- Should the following irregularity be found during use, immediately stop operating the unit and contact your nearest TOA dealer. Further attempt to use under this condition may cause fire or electric shock.

- If you detect smoke or a strange smell coming from the unit
- If no tone sounds



CAUTION

- Avoid installing the unit in humid or dusty locations, in locations exposed to the direct sunlight, near the heaters, or in locations generating sooty smoke or steam as doing otherwise may result in fire or electric shock.
- Do not operate the unit for an extended period of time with the sound distorting. This is an indication of a malfunction, which in turn can cause heat to generate and result in a fire.
- Avoid touching the unit's sharp metal edge to prevent injury.

2. GENERAL DESCRIPTION

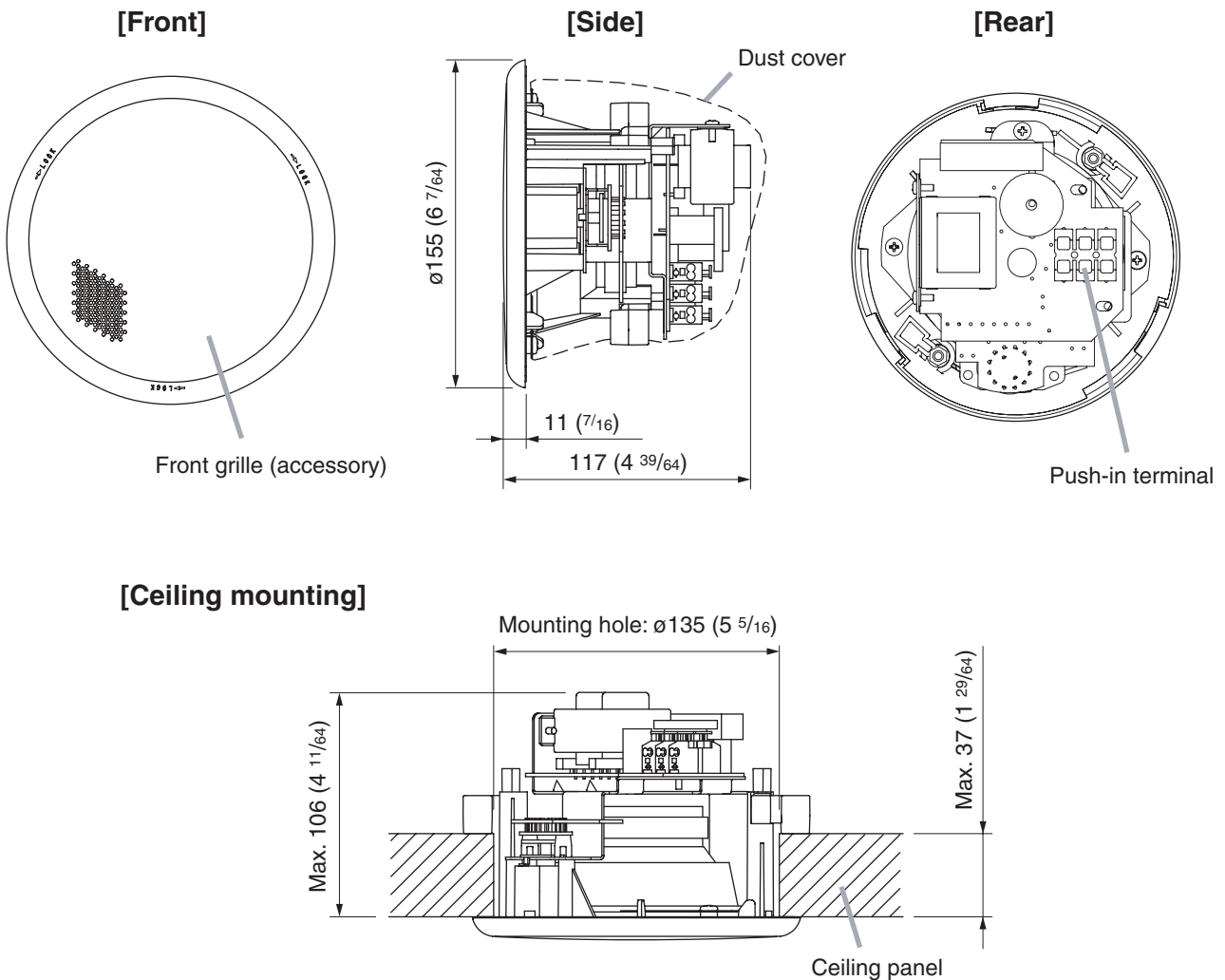
The F-1522SC is a small, flush-mounted ceiling speaker that employs a full-range speaker element designed to offer a wide frequency range and high-quality sound output. It can be mounted to the ceiling panel that is up to 37 mm in thickness.

3. FEATURES

- A rear-open type speaker system employing a speaker element covering a wide frequency range.
- Wide-dispersion flush-mount ceiling speaker design employs unique acoustic construction to realize a wide area of coverage. Uniform sound output levels are achievable not only directly under the speaker, but also over a wide radius.
- Because the speaker is provided with both low- and high-impedance operating capability, it can be used in many different applications. Front panel-mounted input selector switch permits easy verification and change of current impedance settings, even after installation.
- Easy installation. Can be quickly and accurately mounted to ceilings and walls.
- Rotating front grille can be installed quickly and conveniently.
- Attractive exterior design specially created by an interior designer blends naturally with any architectural space, enhancing the immediate area's sense of harmony.

4. NOMENCLATURE AND DIMENSIONS

Unit: mm (inches)



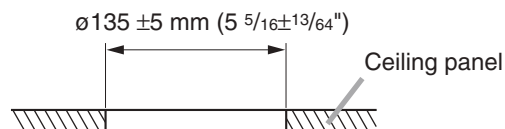
5. INSTALLATION

A dust cover is pre-mounted on the rear of the speaker at the factory.
Pay attention not to accidentally take it off during speaker installation.

The F-1522SC ceiling speaker can be mounted in 2 different configurations:

- **Direct mounting to a strong ceiling panel**
No additional hardware required.
- **Direct mounting to a weak ceiling panel**
Use the optional HY-RR1 Reinforcement Ring.

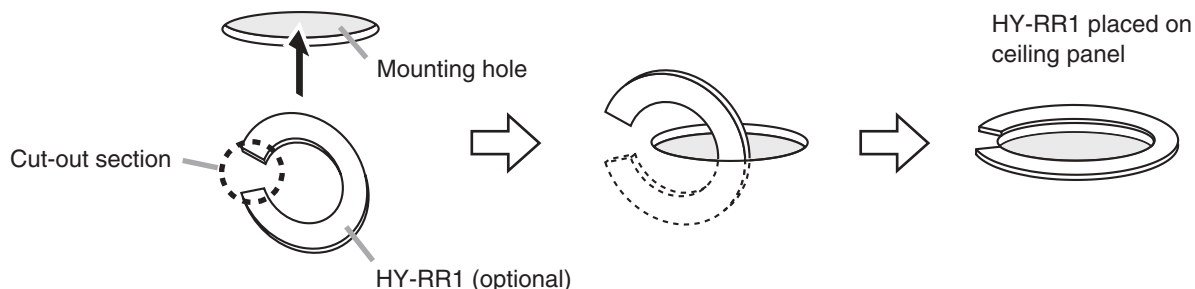
Step 1. Cut a $\varnothing 135$ mm ($5 \frac{5}{16}$ ") hole in the ceiling.
Use the supplied paper pattern to position and trace the hole.



Step 2. Mount the optional Reinforcement Ring HY-RR1 to the ceiling. (Weak ceiling mounting)

Tip: Skip this step when the ceiling is strong (no additional hardware needed).

Use the cut-out section to insert the HY-RR1 into the ceiling as shown below.



Step 3. Connect the speaker cable to the push-in terminal.

Tip: Use the 600 V vinyl-insulated cable (IV or HIV wire).

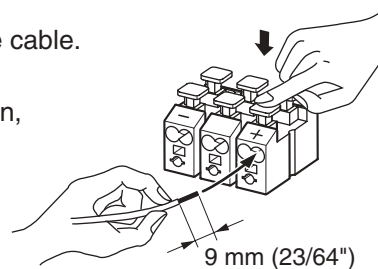
The following matching cable types are recommended:

- Solid copper wire: $\varnothing 0.8 - \varnothing 1.6$ mm (equivalent to AWG 20 – 15)
- Stranded copper wire: $0.75 - 1.25$ mm² (equivalent to AWG 18 – 17)

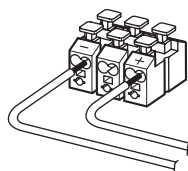
Press fully down on the corresponding terminal button and insert the cable.

Tip

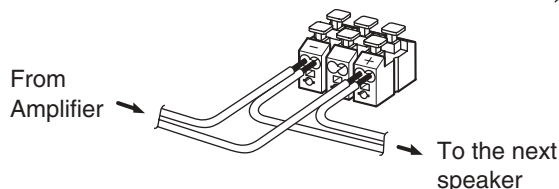
To detach the cable, press fully down on the terminal button again, then pull the cable.



[If not bridging]



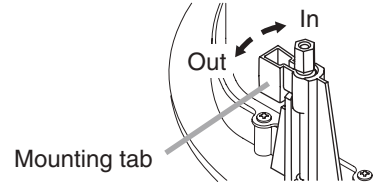
[If bridging]



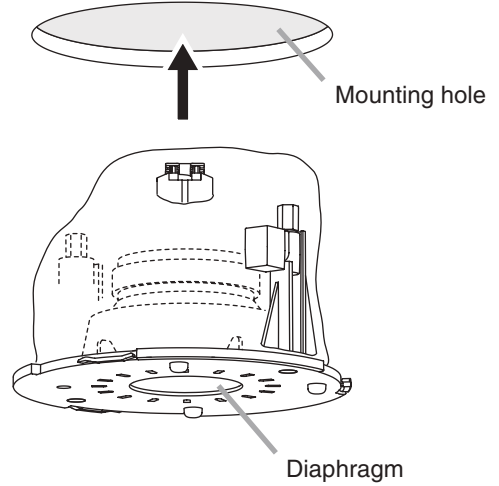
Step 4. Mount the speaker.

Caution

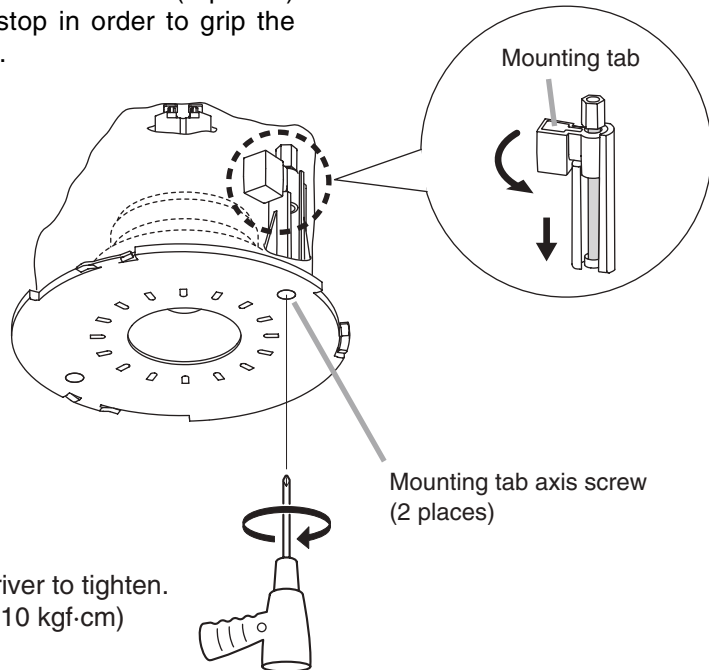
Before mounting, check to be sure that the speaker's 2 mounting tabs are turned inside the unit as shown in the figure. If turned outward, the speaker cannot be inserted through the mounting hole.



4-1. Insert the speaker through the mounting hole till it contacts the ceiling panel. While doing so, avoid directly touching the speaker's diaphragm.



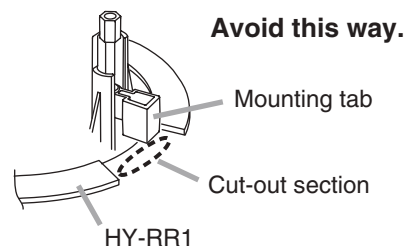
4-2. Rotate and tighten the mounting tab axis screws (2 places) on the unit clockwise to their full stop in order to grip the ceiling panel with the mounting tabs.



Use an electric screwdriver to tighten.
(Tightening torque: 6 – 10 kgf-cm)

Caution (when using the HY-RR1)

Install the speaker so that its mounting tab does not come to the cut-out section of the HY-RR1. Ensure that the mounting tab presses the HY-RR1.



Step 5. Set the input power.

Turn the input selector switch (on the unit's front) to set it to the desired input impedance. (Factory-preset to 1.7 kΩ.)

Important

Never set this switch to low-impedance (8 Ω or 16 Ω) settings when using a high-impedance 25, 70, or 100 V line. Failure to follow this instruction could result in damage to the speaker or amplifier.

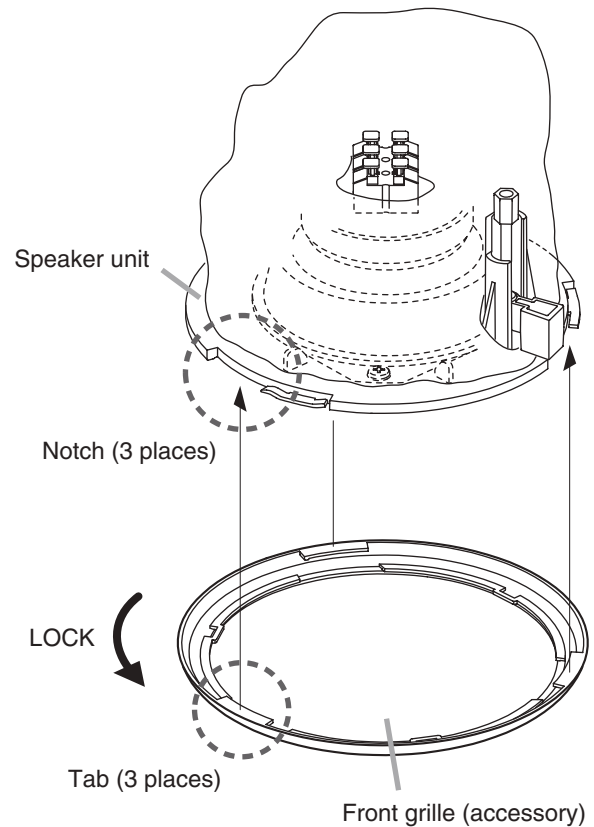
F-1522SC		IMP.	100V LINE	70V LINE	25V LINE
8 Ω		3.3kΩ	3W	1.5W	0.2W
16 Ω		1.7kΩ	6W	3W	0.4W
NC		830 Ω	—	6W	0.75W

Step 6. Attach the front grille.

Align the tabs (3 places) on the back side of the grille with the corresponding notches in the unit, then rotate the grille to full stop in the direction indicated by the "LOCK" arrow.

Tip

The front grille employs a double-locking system that clicks into place once partway through rotation, but only locks into position at its point of full rotation. Always be sure to rotate the grille to its full stop.



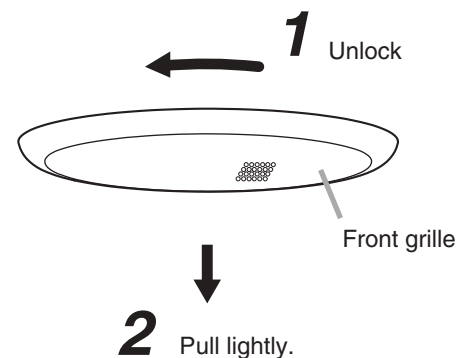
6. REMOVING THE SPEAKER FOR MAINTENANCE

6.1. Detaching the Front Grille

Turn the front grille counterclockwise to full stop, then lightly pull it downward.

Tip

The front grille employs a double-locking system. If the grille cannot be detached when lightly pulled downward, it likely has not yet been fully rotated back to the detachment position. In such cases, take care to rotate the grill fully counterclockwise in order to release the lock.

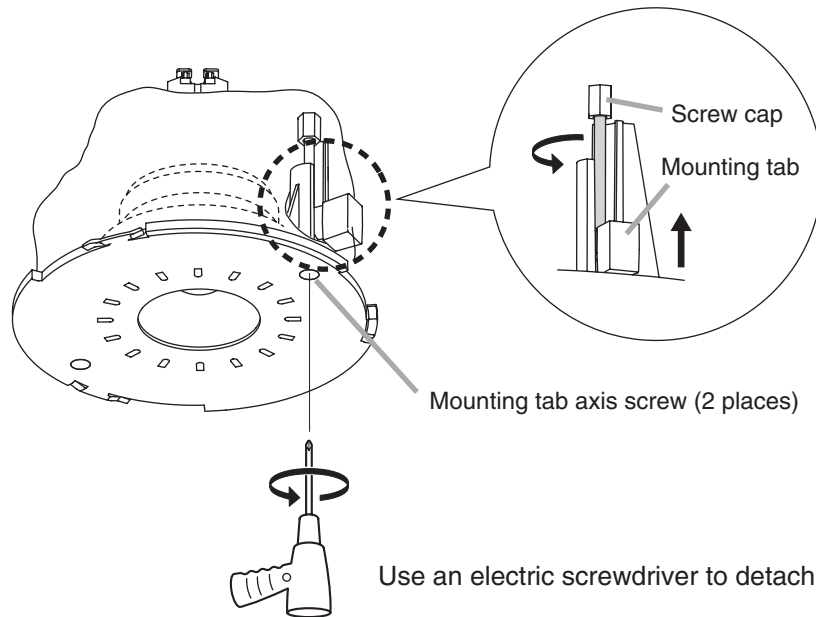


6.2. Removing the Speaker

Rotate the 2 mounting tab axis screws counterclockwise. The mounting tabs rise as they turn, allowing the speaker to be removed.

Caution

When loosening the mounting tab axis screws, support the speaker by hand to prevent it from falling.



Caution

Be sure to set the screwdriver's torque for under 4 kgf-cm.

Failure to do so may cause the Screw cap and the Mounting tab to fall off on the rear of ceiling panel.

7. REPAINTING THE SPEAKER

Follow the procedure below when repainting the front grille:

Step 1. Clean the front grille before painting.

Wipe with a soft cloth dampened in a detergent.

Caution: Do not use thinner or other volatile liquids to clean the grille.

Step 2. Spray on a uniform, thin coat of paint.

Cautions

- Avoid painting with a roller or brush, as the grille mesh holes could become clogged with paint.
- Use appropriate spray paints for the front grille (grille and frame) materials.
Grille: Rolled steel plate
Frame: Fire-resistant ABS resin (acrylic paint)
- Be sure to follow the directions indicated on the paint when painting.

Step 3. After the paint has dried, apply another light coat.

Caution

Repeating Step 2, apply two or more light coats of paint.

Application of one thick coat of paint all at once may cause drips or unevenness to show up in the painted finish, or clog the mesh holes.

8. SPECIFICATIONS

Rated Input	6 W (High Impedance)
Power Handling Capacity	Continuous pink noise: 9 W (8 Ω), 6 W (16 Ω) Continuous program: 18 W (8 Ω), 12 W (16 Ω)
Impedance	100 V line: 1.7 kΩ (6 W), 3.3 kΩ (3 W) 70 V line: 830 Ω (6 W), 1.7 kΩ (3 W), 3.3 kΩ (1.5 W) 25 V line: 830 Ω (0.75 W), 1.7 kΩ (0.4 W), 3.3 kΩ (0.2 W) 16 Ω, 8 Ω
Sound Pressure Level	88 dB (1 W, 1 m)
Frequency Response	65 – 18,000 Hz (–10 dB), 45 – 20,000 Hz (–20 dB) at installation in 1/2 free sound field (Measured by installing the unit in the center of a ceiling.)
Speaker Component	10 cm (4") cone-type
Mounting Hole	∅135 mm (5 5/16") Maximum ceiling thickness: 37 mm (1 29/64")
Input Terminal	Push-in connector (Bridging terminal-2 branch type)
Usable Cable	600 V vinyl-insulated cable (IV wire or HIV wire) Solid copper wire: ∅0.8 – ∅1.6 mm (equivalent to AWG 20 – 15) Stranded copper wire: 0.75 – 1.25 mm ² (equivalent to AWG 18 – 17)
Finish	Baffle: Fire-resistant ABS resin (resin material grade: UL-94 V-0 or its equivalent), black Rim: Fire-resistant ABS resin (resin material grade: UL-94 V-0 or its equivalent), white, paint Punched net: Steel plate, white, paint Dust cover: Artificial fiber, black
Dimensions	∅155 (6 7/64") x Depth 117 mm (4 39/64")
Weight	1 kg (including front grille)

Note: The design and specifications are subject to change without notice for improvement.

• Accessories

Front grille 1
Paper pattern 1

• Optional Component

HY-RR1 (Reinforcement Ring): Reinforcement fitting dedicated to the F-1522SC to be used when the ceiling is weak