



Tannoy's top-of-the range SuperDual™, the T300 is designed for a wide variety of sound reinforcement applications where ultimate sound quality is essential. The completely new 12" Dual Concentric™ SuperDual™ driver, features a double roll cambric suspension for greater low frequency dynamics and control, and a halogen high frequency protection system. The unique 'wedge' cabinet profile makes the T300 ideal for low profile ceiling mounting, portrait configuration or for use as a foldback monitor. The rugged birch ply enclosure includes a handle, pole mount and M8 flying points at strategic positions around the cabinet for flexible use.

The T300 is used with the TX3 system controller which, in addition to the equalisation and 100Hz sub-bass crossover functions, also incorporates several other features including:

- Phase invert on sub out –
To optimise for bass cabinet configuration and installation requirements.
- Switchable equalisation settings –
For either front-of-house or stage monitor use.

APPLICATIONS

- Theatre Front of House and effects
- Acoustic Concert reinforcement
- Prestige Cabaret and Club reinforcement
- Theme pubs/nightclubs
- Side fill in large scale music reinforcement
- Sports and multi-use stadia
- Movie Theatre/Cinema
- High quality public address
- Religious facilities
- Industrial simulators

FEATURES

- Exceptional sound quality
- Compact, versatile enclosure
- Point Source
- Constant directivity
- Wide dispersion
- High power handling
- High efficiency and low distortion
- Halogen HF protection
- Water resistant
- Rugged birch plywood construction
- Integral pole mount and handle
- Integral flying points

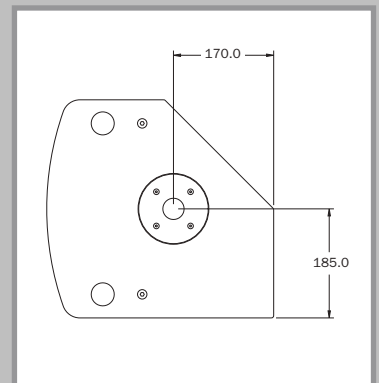
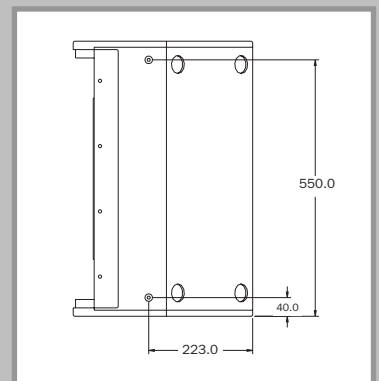
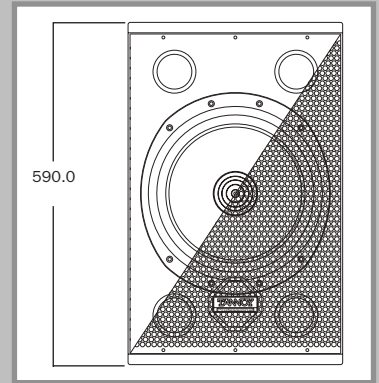
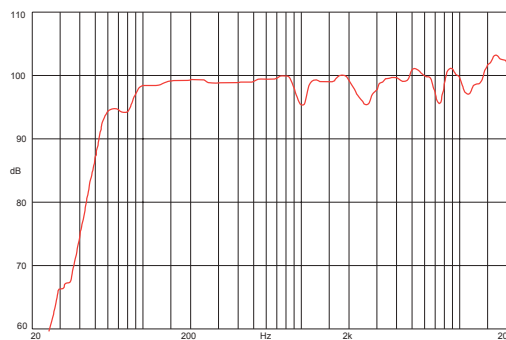


TECHNICAL SPECIFICATIONS

| | |
|-------------------------------------|---|
| Frequency Response (1) \pm 3dB | 55Hz-22kHz (with TX3 controller) |
| Recommended Amplifier Power | 300-750 watt/8ohm |
| Power Handling (2) | Average: 300 watt Programme: 600 watt Peak (10ms): 1200 watt |
| Sensitivity (1) 2.83v @ 1m | 100 dB |
| Maximum SPL (3) @ 1m | Average: 128dB Peak: 134dB |
| Impedance | Nominal: 8 ohm |
| Dispersion (-6dB) | 90 degrees conical |
| Driver Complement | 1 x 12" (300mm) full range, Constant Directivity Dual Concentric™ |
| Crossover | Passive 1.7kHz 2nd order high pass, 2nd order low pass Halogen HF protection Passive component fuse protection |
| Enclosure | 46.6 litre vented, 15mm birch plywood |
| Finish | Textured black/grey paint |
| Protective Grille | Perforated steel, black with 58% free airflow |
| Connectors | Speakon NL4MP, in/out |
| Rigging/Fittings | 1 x recessed carrying handle 1 x 35mm pole mounting socket 8 x recessed M8 mounting points for flying hardware |
| Dimensions | 590mm (H) x 370mm (W) x 385mm (D) |
| Weight | 35kg (77lbs) |

(1) Average over stated bandwidth. Measured at 1m on axis in an anechoic chamber
(2) Long term power handling capacity as defined in EIA standard RS-426A
(3) Unweighted pink noise input, measured at 1m

Tannoy operates a policy of continuous research and development. The introduction of new materials or manufacturing methods will always equal or exceed the published specifications, which Tannoy reserves the right to alter without prior notice. Please verify the latest specifications when dealing with critical applications



Tannoy Ltd., Professional Division, Coatbridge, Strathclyde ML5 4TF, Scotland
Tel: +44 (0)1236 420199 Fax: +44(0)1236 428230
e-mail: prosales@tannoy.com Internet site: <http://www.tannoy.com>

TGI North America, 300 Gage Avenue, Unit One, Kitchener, Ontario, N2M 2C8, Canada
Tel: (519) 745 1158 Fax: (519) 745 2364

Tannoy Nederland b.v., Anthonetta Kuyjlstraat 19, 3066 GS Rotterdam
Tel: (010) 2860554 Fax: (010) 2860431

TANNOY



HEAR BELIEVE

A Member of the TGI plc Group of Companies