

Product Specifications

SM94 Cardioid Condenser Microphone

Overview

The SM94 is a rugged, versatile flat-response cardioid condenser microphone, designed with a frequency response free of either presence peaks or low-end rollofs, for use with live amplified and acoustic instruments. Additionally, the SM94 can be powered from one AA battery or phantom power, for remote recording applications and environmental conditions.

Features

- A sensitive mic with a wide, flat response ideal for live amplified and acoustic instruments.
- Extremely well-suited for reproduction of stringed instruments, woodwinds and cymbals
- AA battery or phantom power
- Internal shock mount
- Wide dynamic range
- Smooth, flat frequency response
- Uniform Cardioid condenser
- Frequency response: 40 to 16,000 Hz

Available Models

SM94	Includes Stand Adapter and Zippered Pouch
-------------	---

Specifications

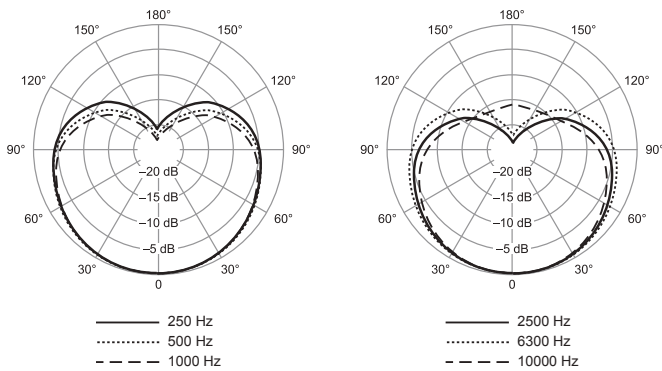
Type	Condenser
Frequency Response	40 to 16,000 Hz
Polar Pattern	Cardioid
Sensitivity (at 1,000 Hz)	Open Circuit Voltage: -49 dBV/Pa (3.5 mV) (phantom) -50 dBV/Pa (3.2 mV) (battery) (1 Pa = 94dB SPL)
Impedance	Rated at 150 Ω; 200 Ω actual
Output Clipping Level (1 kHz, 3% THD)	800-Ω Load: -14 dBV (0.63 V) (phantom), 1% THD; -23 dBV (0.71 V) (battery), 3% THD
Total Harmonic Distortion	< 0.25% (130 dB SPL at 250 Hz into 800 Ω load)
Maximum SPL	800 Ω Load: 141 dB (phantom), 123 dB (battery)
Hum Pickup	-3 dB equivalent SPL in a 1 millioersted field (60 Hz)
Output Noise (equivalent sound pressure levels; measured with true rms voltmeter)	22 dB typical, A-weighted 25 dB typical, weighted per DIN 45 505
Dynamic Range	119 dB (phantom); 101 dB (battery) (maximum SPL, 2000-Ω load, to A-weighted noise level)
Signal-to-Noise Ratio	72 dB (IEC 651)* at 94 dB SPL
Overvoltage Protection	Maximum External Voltage Applied to Pins 2 and 3 with respect to Pin 1: +52Vdc Reverse polarity protected to 75 Vdc
Polarity	Positive pressure on diaphragm produces positive voltage on pin 2 relative to pin 3
Power	Supply Voltage: 11 to 52 Vdc, (+) pins 2 and 3 Current Drain: 1.0 to 1.2 mA max. at 52 Vdc
Battery Operation	Type: 1.5 V alkaline, AA size (NEDA 15A) Life: Up to 5,000 hours with fresh battery
Connector	XLR professional audio 3-Pin
Case	Steel and brass construction with gray finish and stainless steel mesh grille
Net Weight	250 grams (8.8 oz) less battery



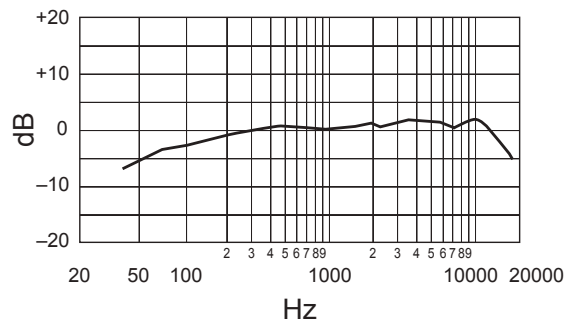
SM94

Optional Accessories and Replacement Parts

A25D	Microphone Clip	A15AS	Switch-Selectable Attenuator	A53M	Isolation Mount
A3WS	Microphone Windscreen				



Polar Pattern



Frequency Response

