



# PAR56 and PAR64

## Par56 MFL 300W 240V GX16d.1CT/6

These self-contained spotlights are ideal for intensifying the visual experience in all kinds of clubs, that is because their accurate beam control picks out even the smallest of details even over long distances. This beam control makes the PAR 56 and PAR 64 excellent for long-range light projections. In addition, the universal burning feature provides complete flexibility of luminaires angle and position, while the front glass of the PAR56 provides thermal and physical protection. The result? Complete creative freedom to achieve the desired effect. Immediate re-strike also ensures instant resumption of entertainment after any power interruption.

### Product data

General Information	
Cap-Base	GX16d
Operating Position	UNIVERSAL [Any or Universal (U)]
Nominal lifetime	2,000 hour(s)

Light Technical	
Beam Angle (Nom)	20 degree(s)
Correlated Color Temperature (Nom)	3000 K

Operating and Electrical	
Power Consumption	300 W
Voltage (Nom)	240 V

Controls and Dimming	
Dimmable	Yes

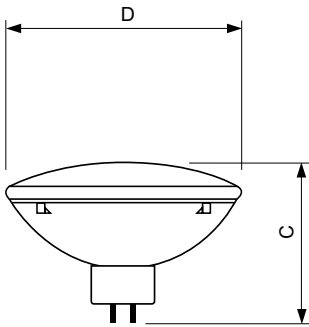
Mechanical and Housing	
Bulb Shape	PAR56

Product Data	
Order product name	Par56 MFL 300W 240V GX16d.1CT/6
Full product name	Par56 MFL 300W 240V GX16d.1CT/6
Full product code	871150044194210
Order code	924783645504
Material Nr. (12NC)	924783645504
Numerator - Quantity Per Pack	1
Net Weight (Piece)	0.542 kg
EAN/UPC - Product/Case	8711500441942
Numerator - Packs per outer box	6
EAN/UPC - Case	8711500441959

## PAR56 and PAR64

### Dimensional drawing



Product	D (max)	C (max)
Par56 MFL 300W 240V GX16d.1CT/6	178 mm	127 mm

