



## KDS-DEC5

4K30 4:4:4, H.264 Video Decoder supporting PoE and Video Wall

| HDMI | Ethernet - RJ-45 | 4K/30 UHD



KDS DEC5 is an H.264 decoder for HDMI™ signals of up to 4K@30Hz (4:4:4). It provides high-quality and fully-featured end-to-end video and audio over IP. KDS-DEC5 includes AVC support for H.264/MPEG-4 and AAC codec, open encoding that enables decoding through VLC® player software and unicast or multicast streaming through TS and RTSP transport protocols

## FEATURES

**High Resolution Video Encoding and Compression** - supporting up to 4K@30Hz (4:4:4) resolution

**Maximum Compatibility** - Fully standard and compliant H.264/MPEG-4 AVC (Advanced Video Codec) and AAC (Advanced Audio Code) codecs, enable compatibility with other software and hardware encoders. Open encoding enables software decoding through VLC® player software

**Versatile Powering Options** - Powered by PoE (when using a Network switch that supports PoE) or by external 12V power adapter

**Standard Ethernet Network Operation** - 10/100/1000Mb. Managed switch: 1G, multicast, IGMP snooping, layer 2. Configurable DHCP, Static or Auto IP. For specific Network configuration, please contact Kramer Customer Support

**Selectable Streaming Mode** - Unicast or multicast through RTSP (Real Time Streaming Protocol)

**Convenient Unit Control and Configuration** - Distance control via user-friendly embedded web pages via the Ethernet, Protocol 3000 API, and RS-232 serial commands transmitted by a PC, touch screen system or other serial controller

**Cost-Effective Maintenance** - Power and link status indicators facilitate easy local maintenance and troubleshooting. Firmware upgrade via embedded web pages or K-Upload ensures lasting, field-proven deployment

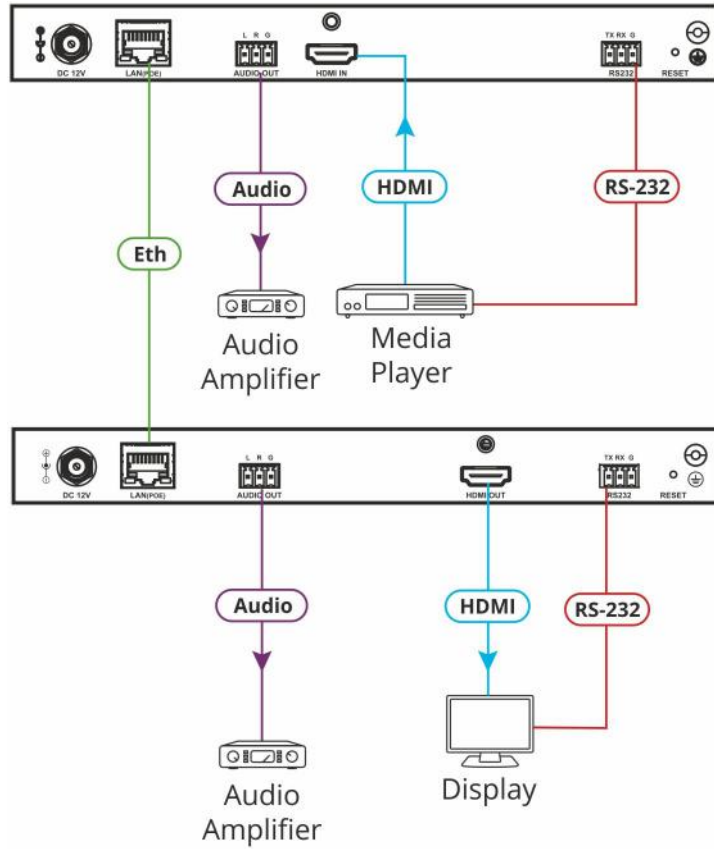
**Simple System Management** - Remote system management support to enable quick and efficient remote system and device life-cycle management



## TECHNICAL SPECIFICATIONS

---

Outputs	1 HDMI (1.4): on a female HDMI connector 1 Unbalanced Stereo Audio: on a 3-pin terminal block connector
Ports	1 Ethernet: on an R-J45 connector 1 RS-232: on a 3-pin terminal block connector
Video	Compression Standard: H.264/MPEG-4 AVC Profiles Base line, Main, High profile Levels: Up to 5.0 Rate Control: CBR,VBR, adjustable GOP size Bit Rates: 2Mbps-30Mbps Encapsulation Format: MPEG-2 transport stream Transmission format: TS over UDP, TS over RTP  Input Resolutions: 640x480, 800x600, 1024x768, 1280x800, 1280x1024, 1360x768, 1366x768, 1440x900, 1400x1050, 1600x1200, 1680x1050, 1920x1200, 720x480 (480p), 720x576 (576p), 1280x720 (720p30), 1280x720 (720p50), 1280x720 (720p60), 1920x1080 (1080p24), 1920x1080 (1080p25), 1920x1080 (1080p30), 1920x1080 (1080p50), 1920x1080 (1080p60) , 1920x1200, 3840x2160 (4Kp24), 3840x2160 (4Kp30)  Output Resolutions: 640x480, 720x480 (480p), 720x576 (576p), 800x600, 1024x768, 1280x720 (720p50), 1280x720 (720p60), 1280x800, 1280x1024, 1366x768, 1440x900, 1600x1200, 1680x1050, 1920x1080 (1080p24), 1920x1080 (1080p25), 1920x1080 (1080p30), 1920x1080 (1080p50), 1920x1080 (1080p60), 1920x1200, 3840x2160 (4Kp24), 3840x2160 (4Kp30)
Audio	Compression Standard: MPEG4 AACLC Channels: 2 channel (stereo), HDMI with stereo LPCM/AAC audio Sample Frequency: 48kHz Bitrate 1.6Mbps (LPCM), ≤240Kbps (AAC)
Power	Source: PoE or 12V DC power supply (not included) Consumption: 5.6W
Environmental Conditions	Operating Temperature: 0 to + 45°C (32 to + 113 °F), 10% to 90%, non-condensing  Storage Temperature: -20 to +70°C (-4 to + 158 °F), 10% to 90%, non-condensing  Humidity: 10% to 90%, non-condensing



## 4K H.264 Streaming

