

21435 Speaker Stand

- Load capacity: 50 kg
- Stable, safe, user-friendly and folds compactly
- Height: min. 1430 / max. 2240 mm, base spread diameter 1150 mm, telescopic section \varnothing 35 mm, weight: 5.5 kg

Thank you for choosing this product. These instructions describe the procedure for properly assembling and adjusting the stand. We recommend keeping the instructions as you may need them at a later date.

SAFETY INSTRUCTIONS

- Max. central capacity: 50 kg
- The stand must not be loaded unevenly.
- The ground must be even and suitable for a stand.
- 2 technicians are needed to set up the stand (physical strength required).
- Before installing the stand check that the tripod, loud speakers and other devices (cables) function correctly.
- Check that the loud speakers are suitable, i.e. that the flange bushing is the correct size and type.
- Do not allow unauthorised persons near the stand when weighted: make sure there is no danger of tripping and that the stand cannot tip.
- Check the stand is safe:
 - are the screws tight?
 - The stand is most stable when the leg struts are horizontal and level.
 - Be especially careful when removing the locking pin and clamping screw from the telescopic section.
- **WARNING:** Moving the stand when weighted could damage the leg sections.
- When adjusting the stand take care: potential pinching hazard.

ASSEMBLY INSTRUCTIONS

It is easy to set-up the 21435 speaker stand. All parts are ready to use, the stand only needs to be positioned.

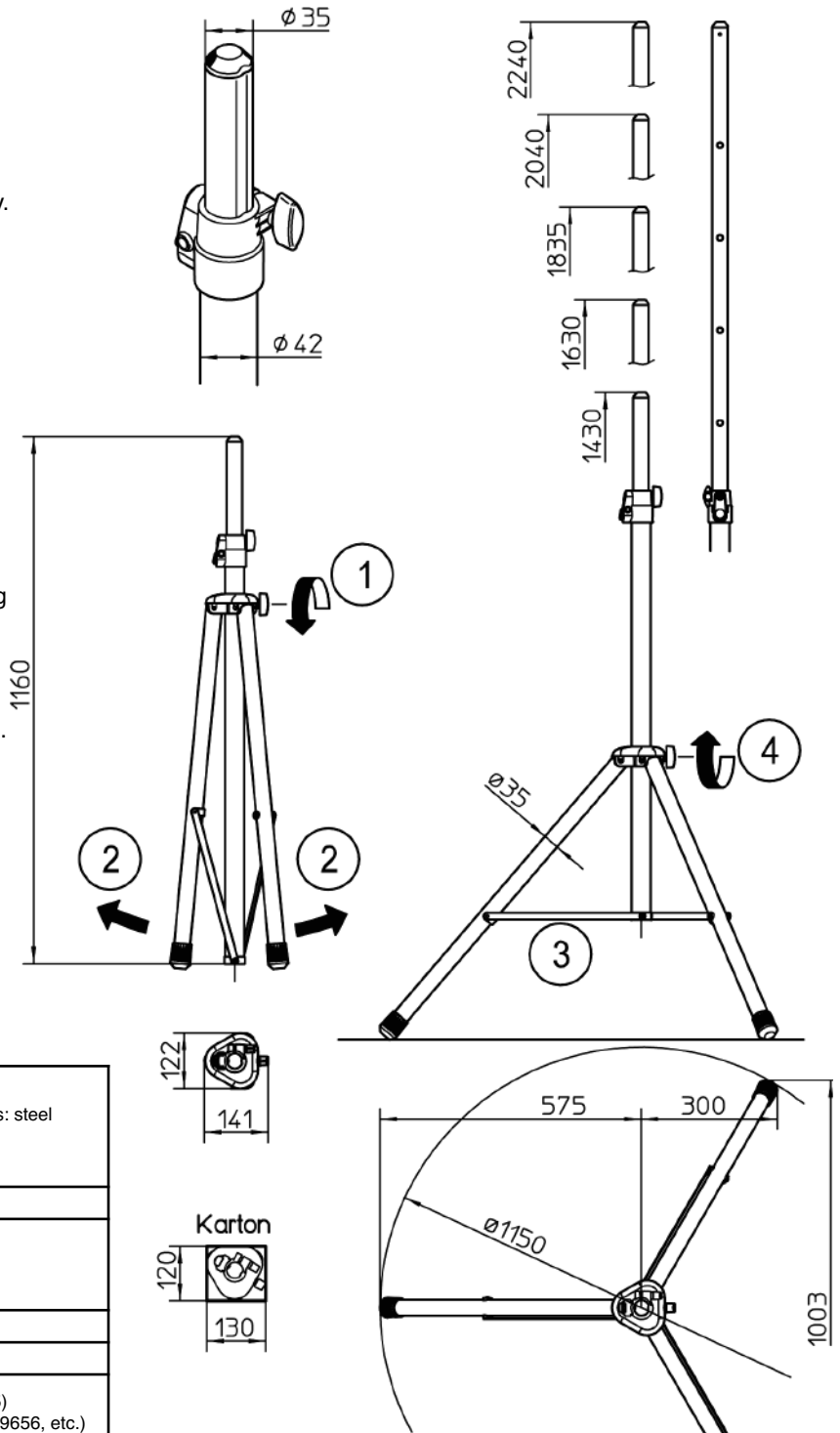
- (1) Slightly loosen the clamping screw on the tripod shaft sleeve.
- (2) Straddle the legs until...
- (3) ...the strut sections are horizontal.
- (4) Re-tighten the clamping screw.

NOTE:

Normal hand strength is sufficient; please avoid over-tightening the screw as this will strain the stand sections.

TECHNICAL DATA

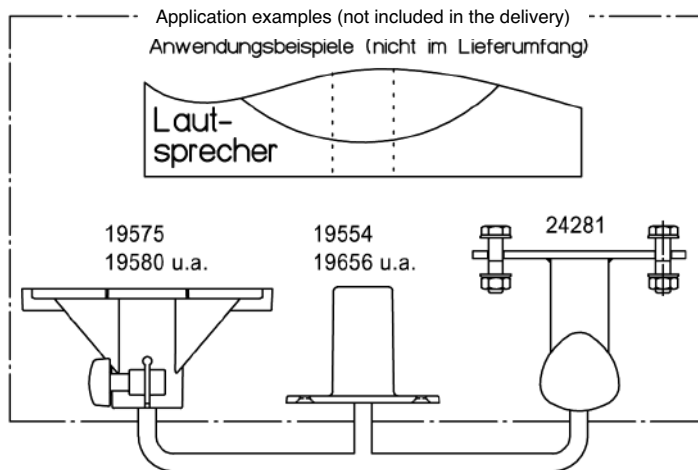
Materials	- base, leg: steel - telescopic sections, struts and locking pins: steel - shaft collar: polyamide (PA) - end caps, shock absorber: (TPE)
Load capacity	- max. 50 kg central load
Dimensions	- max. base spread \varnothing 1150 mm - height: 1430-2240 mm (for max. base) - telescopic section: \varnothing 35 mm
Packed dimensions, kg	W x D x H: 122 x 141 x 1160 mm, 5.5 kg
Delivery box, kg	W x D x H: 130 x 120 x 1185 mm, 6.2 kg
Accessories (optional)	- carrying case 21311 (for one or two 21435) - K&M flange adapter (e.g. 19580, 19654, 19656, etc.) - screw-on adapter (24281) - adapter sleeve 21326: \varnothing 38 mm (= US variation)



WHEN MOUNTING SPEAKERS and STRADDLING STAND

WARNING!

- Do not underestimate the weight of the loud speakers (max. 35 kg),
- The loud speakers must be mounted, the stand extended and straddled by technicians who have the physical capacity for the procedure,
 - When adjusting the stand height, hold the stand securely and always lock in place with the locking pin.



TO ADJUST THE STAND WHEN WEIGHTED

Participants:

FP – first person:

moves the telescopic section with the weight

SP – second person:

operates the clamping screw and the locking pin on the shaft collar

FP

1. holds the telescopic section securely

SP

- loosens the clamping screw
- loosens the locking pin by pressing the button while holding the shaft securely

FP

4. moves the telescopic section and speaker to the required height;

NOTE:
the locking bore holes should be easy to locate above the shaft sleeve

SP

5. releases the button so the pin can snap back into place in the telescopic section

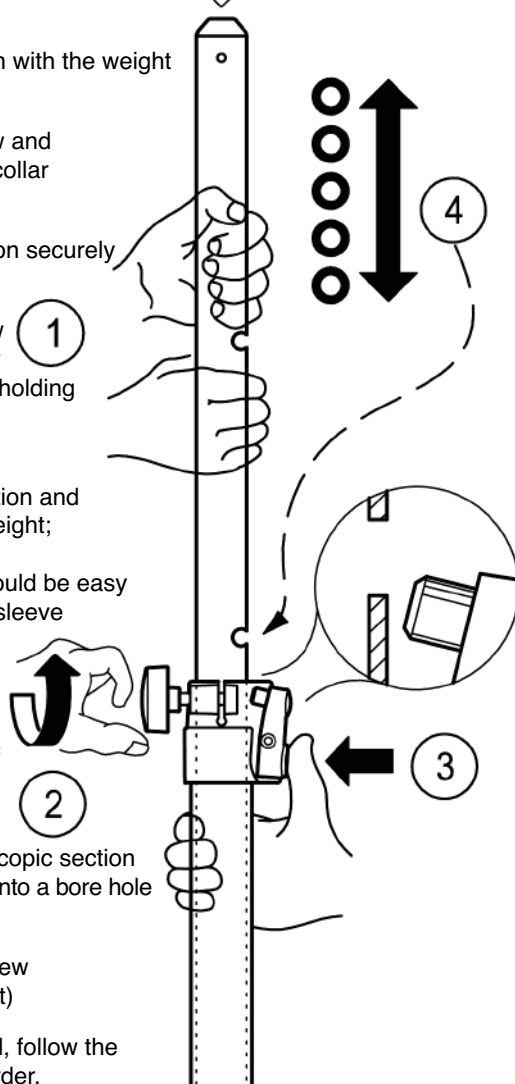
FP

6. Slowly lets go of the telescopic section and the locking pin snaps into a bore hole

SP

7. Tightens the clamping screw (hand strength is sufficient)

To retract the stand and load, follow the instructions in the reverse order.



TESTING, MAINTENANCE, CLEANING

- Treating the stand with care will help preserve its telescopic function, weight capacity and maintain safety.
- Only carry out work on the stand when it is not weighted and be aware of potential hazards (pinching, tipping, and jolting).
- Use a slightly damp cloth with a non-scouring cleaning agent to clean the stand.

(P) PROBLEM and (C) CORRECTION

(P): Stand wobbles

(C): Ensure the ground is even

(C): Extend the legs to max. position and tighten clamping screw

(P): Telescopic section wobbles, slips down when weighted

(C): Check locking pin, tighten clamping screw

