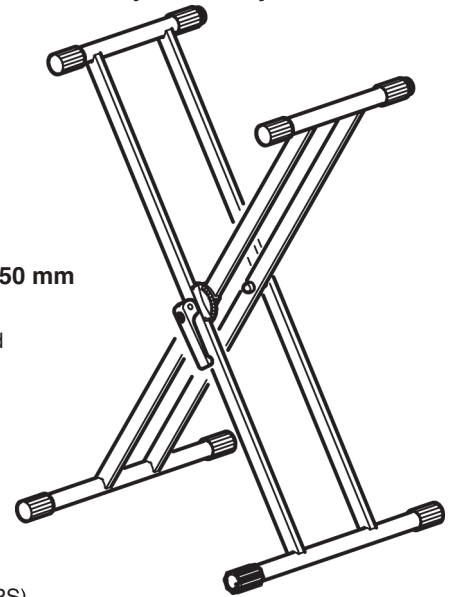


18990 Keyboard stand »Rick«

- Our best X stand - comfortable and extremely sturdy
- Thanks to the new assignment of the double brace stand tubes, which provide for robust stability and safety
- The ergonomic clamp lever makes it easy to setup the keyboard stand and collapse it in a flash
- The robust metal joint is intermeshed in 5° steps and provides a multitude of different positions
- The scale provides the user with the option to always select their preferred setting
- With typical K&M quality features such as:
solid workmanship, high quality surface coating, anti-slip rubber rests and practical balancing end caps for uneven surfaces
- With the option to stack a second keyboard (18941 stacker)
- Height/width are universally adjustable, base tube: \varnothing 30 x 500 mm, top tubes \varnothing 30 x 350 mm
- Weight: 5.8 kg



Thank you for choosing this product. The instructions provide directions to all of the important set up and handling steps. We recommend you keep these instructions for future reference.

SAFETY NOTES

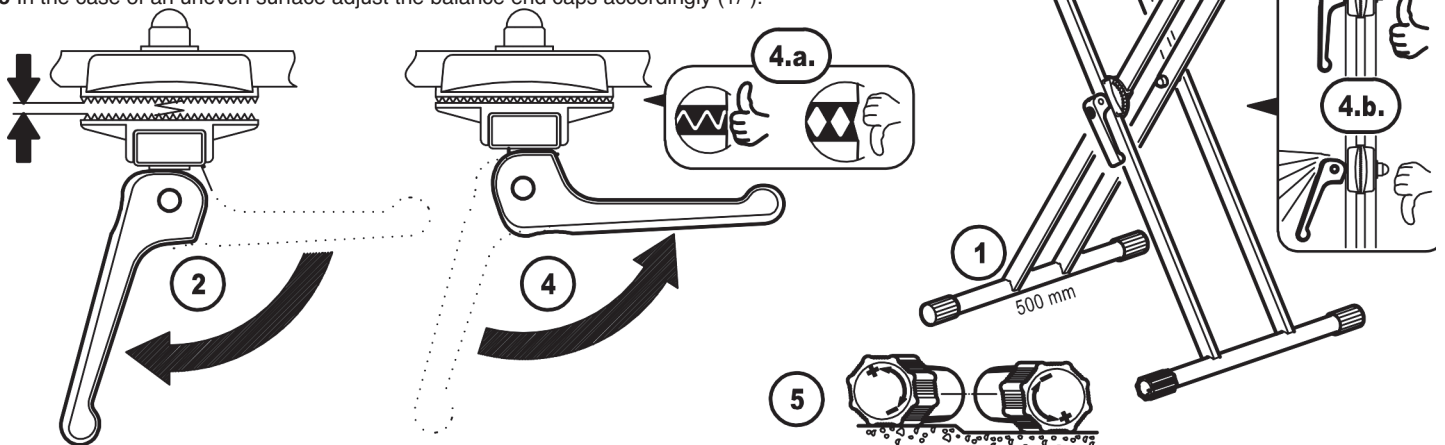
- Maximum Load 50 kg.
- Be sure that the surface will bear the load and is suitable and level.
- The fact that the product is collapsible and adjustable, can result in the risk of pinching/wedging. Careful and attentive handling during setup, operation, and disassembly is indispensable.
- Prior to placing the instrument on the stand ensure that the mesh teeth of the adjustable locking clamp are properly meshed and the excenter clamp lever is in a locked position (parallel to the tube).
- Ensure that the weight on the stand is centered and select the proper setting width (refer to Section TIPS)
- The end caps are made of high quality material and to the extent possible free of softening agents.
To protect particularly delicate floors (e.g. certain wood floor types) a slip resistant pad should be used, if needed.

SETUP INSTRUCTIONS

- 1 Setup the stand such that the support arms (350 mm) are on the top and the base tubes (500 mm) are on the bottom.
- 2 Open the excenter clamp lever so that the teeth are in an un-locked position.
3. Position the top tubes such that the desired height/width is attained.
- 4 Close the excenter clamp lever so that the teeth are in a locked position.

NOTE:

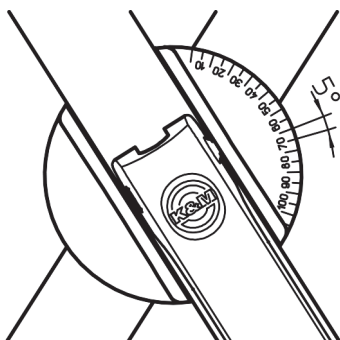
- 4a The teeth points should not be pressing against each other. If this is the case adjust so that the teeth line up properly.
 - 4b The lever must go past the excenter point as far as it will go and be parallel to the stand tube. This position is mandatory, in particular when it is being used with a load, but also when it is being transported or stored. The lever may only be in an open position when the stand is being setup or taken down. Otherwise, it is in an improper position.
- 5 In the case of an uneven surface adjust the balance end caps accordingly (+/-).



USAGE NOTES / FUNCTION

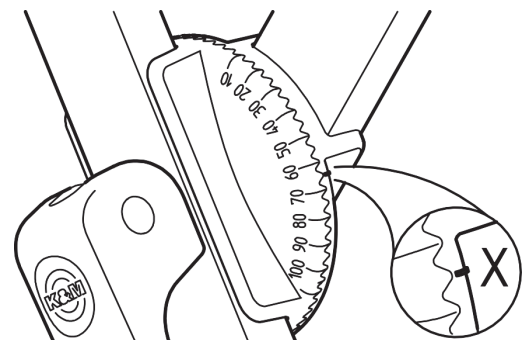
ADJUSTMENTS

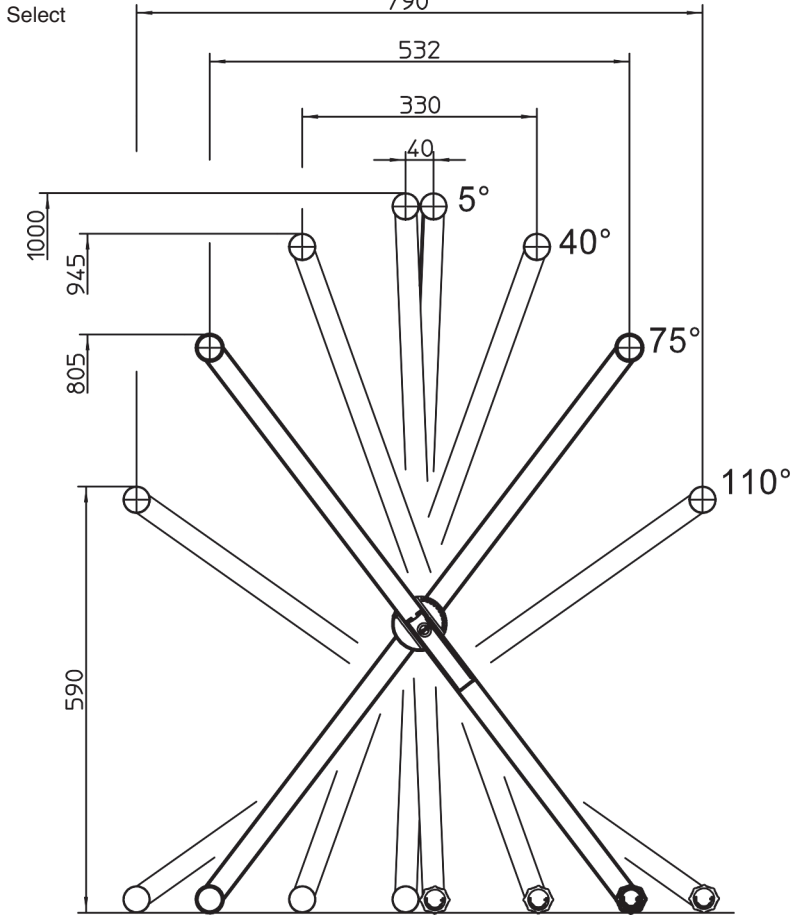
The discs are intermeshed in 5° intervals. This provides the options to position both bases in 30 different positions.



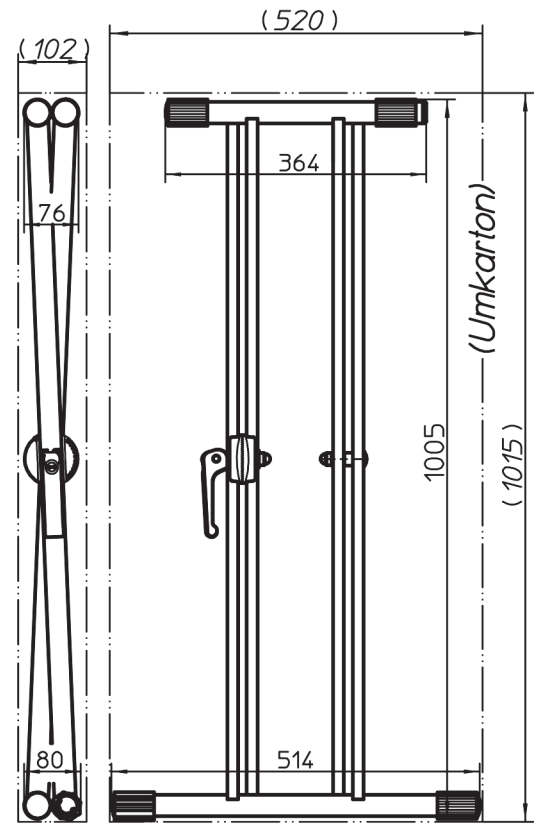
SCALE

Based on a scale and a marking (X) on the disk that is located on the other side, the stand can be adjusted to exact specifications. As such the preferred specifications can be easily found each time the stand is setup.

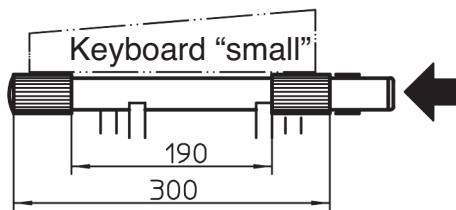
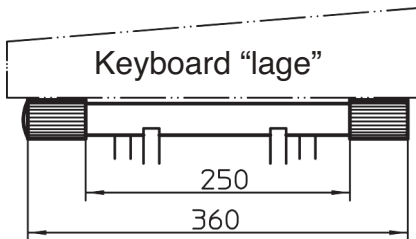


USAGE NOTES / FUNCTIONS
SETUP VARIATIONS

DIMENSIONS

Transportation setting (cardboard packaging)

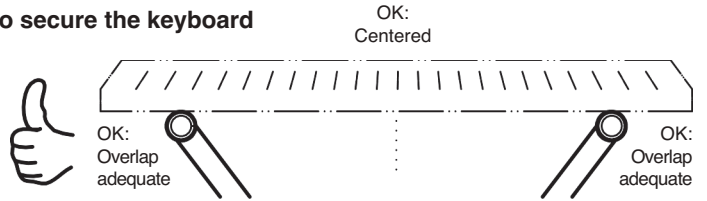

ADJUST BASES

The distances between the rubber rests can be adjusted to the dimensions of the instrument. Just push the rubber rests to the front until the correct distance has been selected.


TIPS on how to secure the keyboard

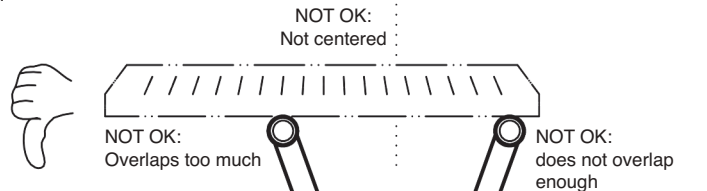
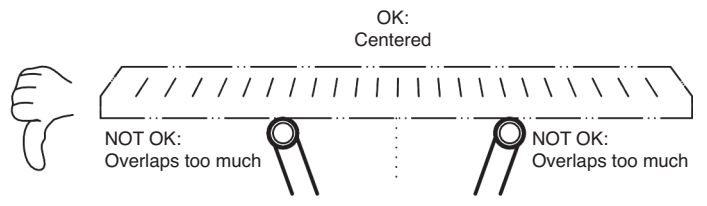
OK:

- centered
- adequate overlap



NOT OK:

- does not overlap enough
- overlaps too much
- not centered


TECHNICAL DATA

Material	Tubes, struts: Steel, powder coated black Screws, nuts, bolts: Galvanized, nickel plated Mesh teeth joint: Zinc die-cast, powder coated black End caps, rubber rests/top: TPE, shore 59A Excenter clamp lever, POM, black
Load	max. 50 kg
Dimensions	Example: Height 590 x width 790 mm Support tubes: \varnothing 30 x 350 mm; Base tubes: \varnothing 30 x 500 mm
Packaging	Box: 1015 x 520 x 105 mm
Weight	5.8 kg
Accessories	Carrying Case 18959-000-00, Stacker 18941-000-55

CHECK, MAINTENANCE, CLEANING

In the event of workstation maintenance pay attention to possible risks (the stand is bumped into, pinching/ wedging). To care for the product use a damp cloth and a non-abrasive cleaning agent.

FAULT FINDING (F) & REMEDY (R)

- F: Stand is not stable:
B: Adjust balance end caps, check surface.
- F: Height/width of the stand does not fit:
B: Select a different mesh teeth position.
- F: Keyboard is not firmly placed on the stand (unstable):
B: Check the bottom of the keyboard for uneven surfaces.
B: Adjust the width of the stand.
- F: The keyboard is not placed on the rubber rests:
B: Adjust the back rubber rings to the proper position.