

Technical Manual



JBL2220H/J

SPECIFICATIONS

ACOUSTIC & ELECTRICAL SPECIFICATIONS:

- Nominal Impedance: 8 ohm (H)
16 ohm (J)
- Power Capacity: 200W Continuous Program
- Frequency Range: 40 Hz to 2 kHz
- Sensitivity: 101 dB SPL*
- Crossover Frequencies: N/A

SYSTEM COMPONENTS:

- Cabinet: N/A
- Grille: N/A
- Low Frequency Transducer: 380mm (15 in.) Cone Transducer (2220H/J)

*1 Watt (2.83 V RMS) @ 1 Meter

SYSTEM COMPONENTS: (cont'd)

- DC Resistance: 5.8 ohm \pm 10% Copper Wire (H)
13.2 ohm \pm 10% Copper Wire (J)

AURAL SWEEP TEST SPECIFICATIONS:

- A. System Aural Sweep Test: 7.0V Input, 20 Hz to 20 kHz
- B. L.F. Aural Sweep Test: 14.0V Input, 20 Hz to 1.2 kHz

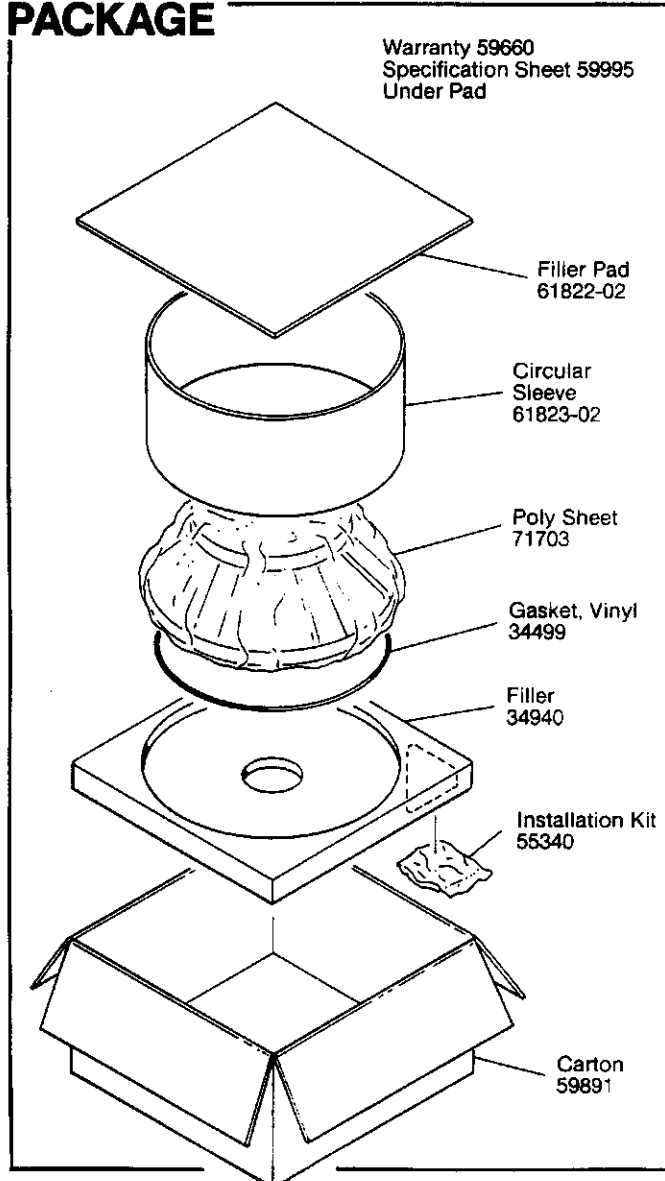
PHYSICAL SPECIFICATIONS:

- Enclosure Dimensions: 388mm x 388mm x 146mm D
(15.26 x 15.26 x 5.75 in. D)
- Shipping Weight: 27.75 lbs. (12.6 kg)

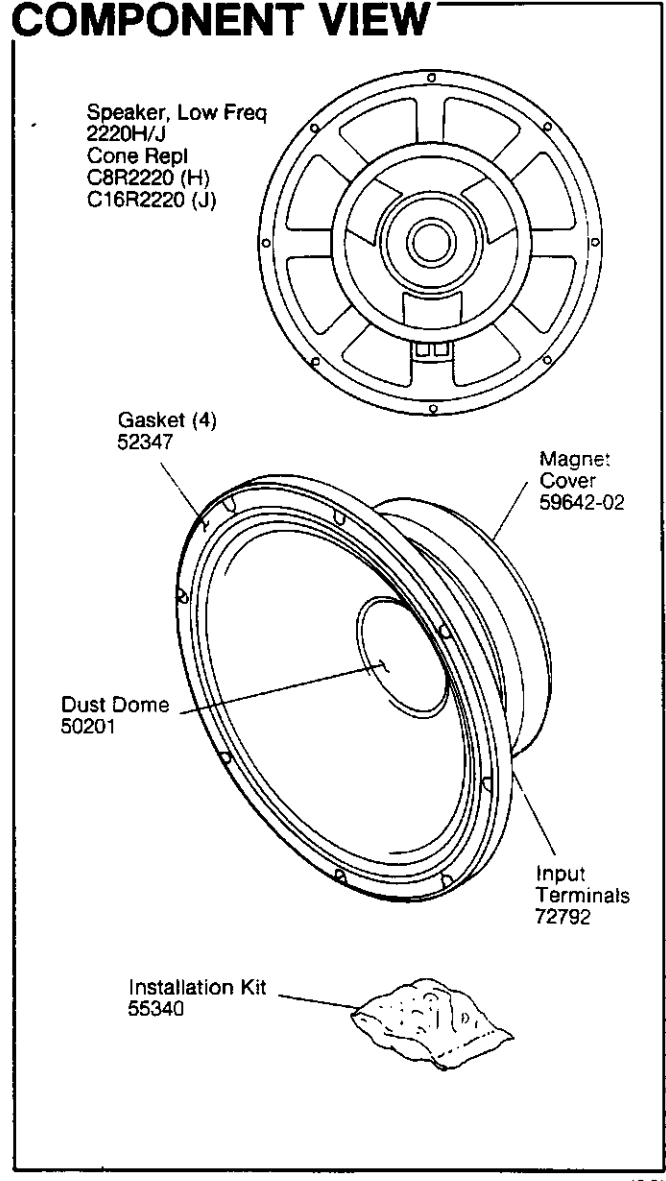
WARRANTY INFORMATION:

- Refer to the Warranty Statement packed with each product.

PACKAGE



COMPONENT VIEW

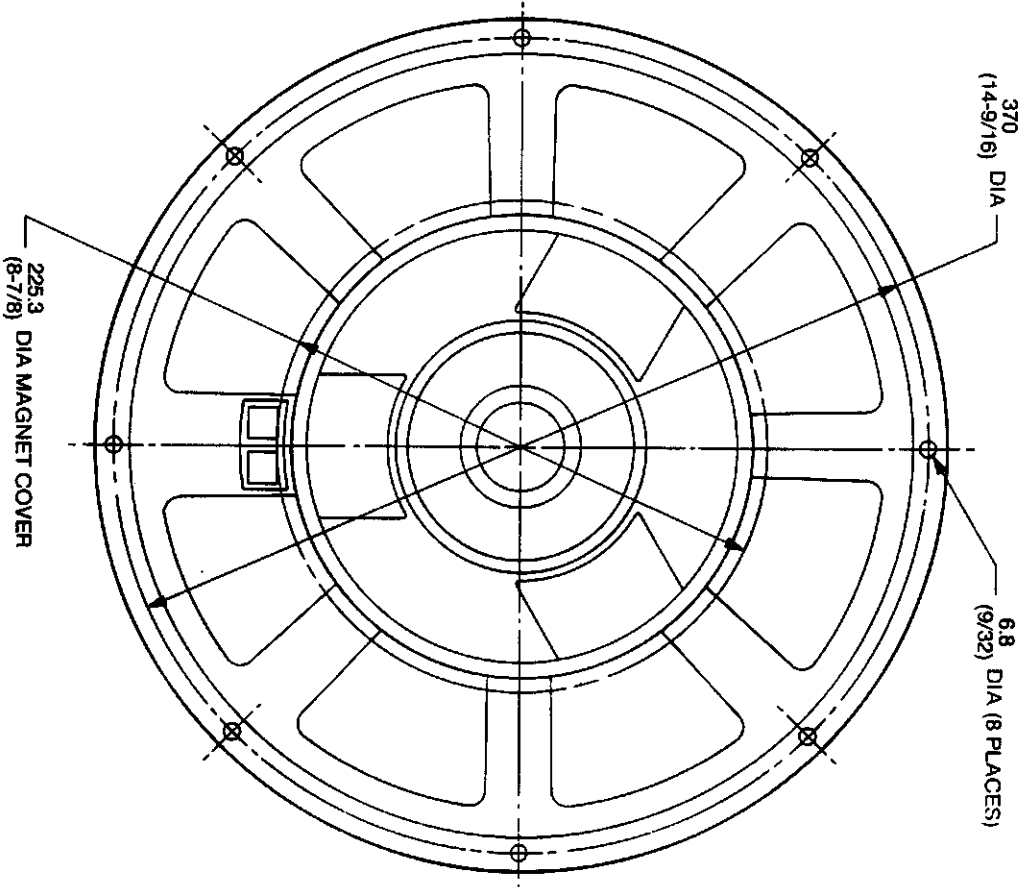
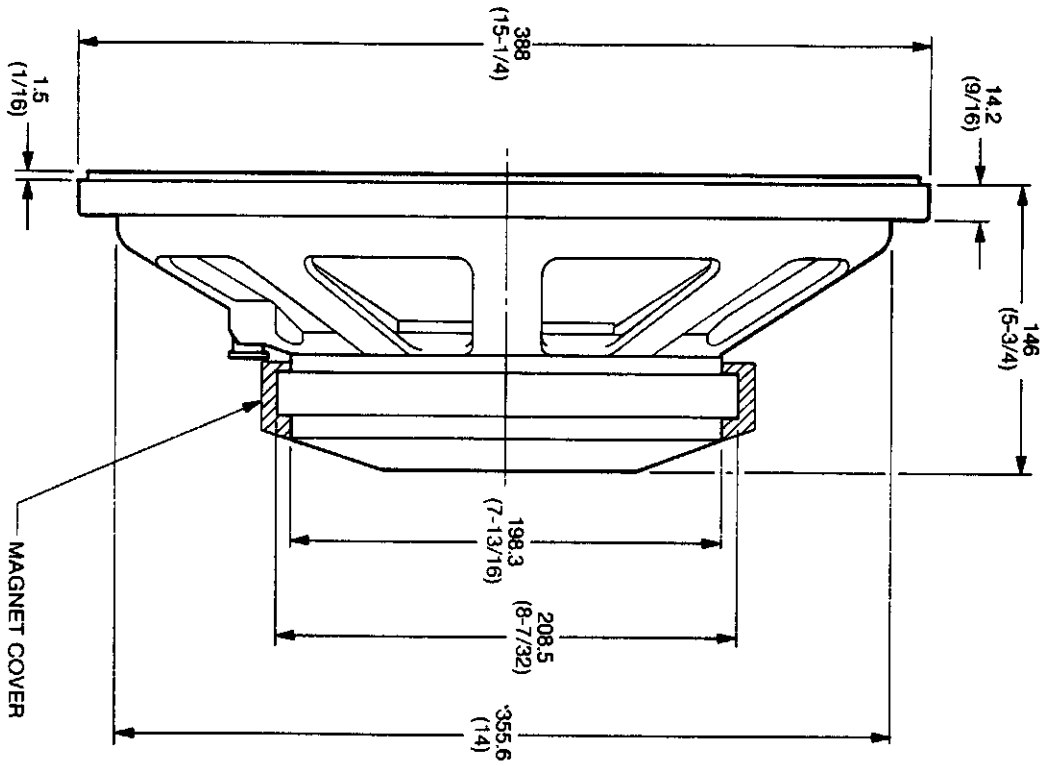


JBL2220H/J REV A

JBL2220H/J

MECHANICAL DRAWING

THIS DRAWING AND SPECIFICATIONS ARE THE PROPERTY OF JBL CORPORATION AND SHALL NOT BE REPRODUCED, COPIED, OR USED AS THE BASIS FOR MANUFACTURE OR SALE OF APPARATUS WITHOUT WRITTEN PERMISSION.



ALL DIMENSIONS ARE REF ONLY
NOTE: DIMENSIONS IN () ARE IN INCHES

JBL2220H/J