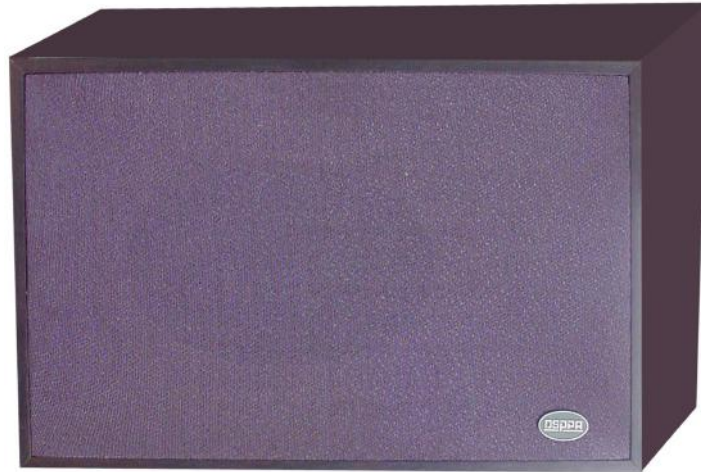




Public Address System  
*Wall Mount Speaker System DSP406*



## OWNER'S MANUAL

---

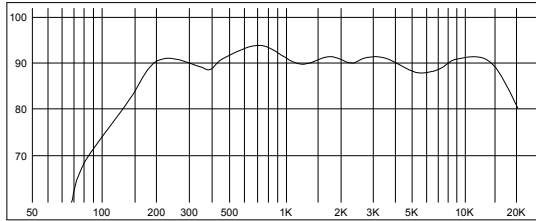
Thanks for purchasing PA speaker system of **DSPPA** series. All of **DSPPA** series products have been tested strictly before shipping. **DSPPA** series PA speaker system is widely used in hotel, trade building, supermarket, school, entertainment, etc. It's the most ideal choice of you! In order to facilitate installing, modulating and running please read this manual carefully before setup.

### ***FEATURES:***

- **Made of high beaverboard, hard to vibrate, sounds clear and sonorousness;**
- **Weight 2 kg, equipped with hanging holes for mounting convenient;**
- **70/100V, 5-10W, suited for different field;**
- **Effective Freq. Range 80Hz-18kHz, high sensitivity ( $91 \pm 2\text{dB}$ ), Max. Sound Pressure Level  $101 \pm 2\text{dB}$ .**

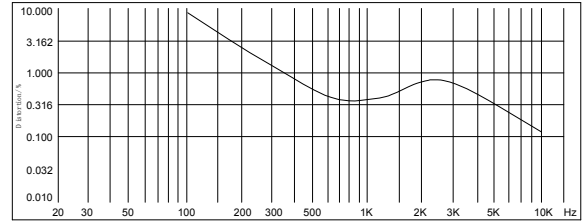
## FREQ. RESPONSE

(dB SPL、1W、1m)

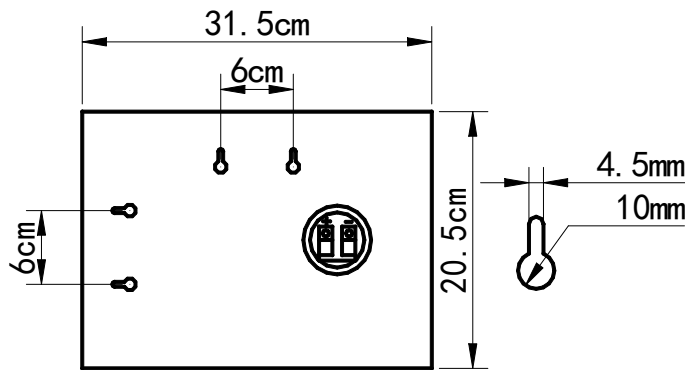


## DISTORTION

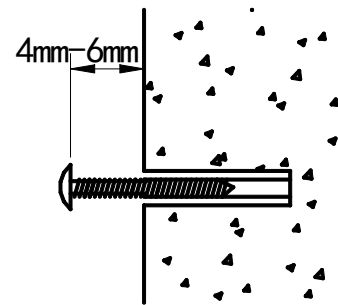
(THD < 1.5% 1W、1m、100Hz-10kHz)



## HANGING HOLE



## NAIL FOR MOUNTING



## INSTALLATION

1. Fit two  $\text{Ø}4\text{mm}$  nail on wall where it is needed to install a speaker system as shown above.
2. Connect audio broadcasting wire to the terminals according to the table below.

Power	Line Voltage	70V	100V
Terminals			
Red-Black		5W	10W

3. Position the speaker, then adjust the direction of it and examine whether it is steady.