

Analog Turntable DP-DJ101/151



- **World's First: Key Adjust**

The DP-DJ151 allows your vinyl records to maintain a constant key (vocal) even when the platter rotation speed is changed by the Pitch slider. This is also known as "time stretching" to keep the vocals from sounding too fast or slow. This world first feature is accomplished through the use of advanced built-in DSP processors. Key Adjust feature is available through the line output / digital output mode found only on the DP-DJ151.

- **World's First: Coaxial Digital Output**

The DP-DJ151 allows you to record directly to CD-R, MiniDisc or a hard disk device through its exclusive coaxial digital output. The digital output maintains a constant 16 bit / 44.1 kHz signal, regardless of the rotational speed setting. This provides a quick and easy way to archive your vinyl digitally or to capture "samples" for studio remixing.
*Only available on the DP-DJ151.

- **Dual Output Selectable: Direct Line Level or Phono**

With the built in RIAA Phono Equalizer, the DP-DJ151 allows for direct connection to any device that requires a "line level" RCA stereo input, such as a cassette deck, A/V receiver, DJ mixer, sampler or any other audio device that does not have a built in "phono" input. The 'Phono' out mode is for conventional hook-up to a standard DJ mixer or home receiver with 'phono-in' jacks. The Selector switch is located on the rear panel for easy access.

* Only available on the DP-DJ151

- **High Start-up Torque**

Our direct drive motor with single-body construction delivers a high start-up torque of 2.2 kg/cm, enabling the turntable to quickly reach stable rotation speed in about one-quarter turn.

- **Selectable Stop & Start Speeds**

Both the DP-DJ151 and DP-DJ101 feature advanced electronics, which allows you to change the start/stop drag speeds by a dedicated button called "BRAKE". On the DP-DJ151, 3 types of 'Brake speeds' are selectable, from 'Normal', 'Slow', to a 'smooth coast' stop. With the DP-DJ101 the platter can be stopped normally or slow. Start up speeds are also selectable from slow-drag or instant start.

- **Back-lit buttons**

Back-lit buttons are provided for easy operation in dark environments. (pitch On/Off, 33/45 rpm, Brake and Key Adjust On/Off: DP-DJ151)

- **Detachable AC Power Cord and RCA cables**

Detachable AC power cord and RCA cables for easy maintenance.

- **Continuous Pitch Control Maintains High- Accuracy**

Pitch (rotation speed) can be consistently altered in a range of $\pm 12\%$, maintaining extremely high accuracy.

- **Pop-up Stylus Illumination**

- **Quartz Synthesized Direct Drive Turntable**

- **Tonearm Height-adjustment**

Height-adjustable and lockable tonearm with fine-adjustment of up to +6 mm has been provided to minimize vertical tracking errors.

- **Fine adjust long stroke pitch slider**

- **Height Adjustable Feet and Anti-skate adjustment**

- **Remote Start Control jack (DP-DJ101)**

- **Power Switch Guard equipped**

- 3 Platter Speed: 33.3, 45 and a rare 78 rpm for those older collections.
- S-Shaped Tone Arm
- Spare Cartridge Holder
- Hinge-less Dust Cover included
- Slip mat included (white mat for DP-DJ151, black for DP-DJ101)
- Head shell included



Specifications

| | |
|--------------------------------|--|
| Type | Analog Turntable |
| Drive system | Direct drive servo control system |
| Speed control system | Quartz locked at $\pm 0\%$ pitch |
| Speed | 33-1/3, 45, 78 rpm |
| Pitch range | $\pm 12\%$ |
| Motor torque | 2.2 kg/cm |
| Wow & flutter | Less than 0.2 % wrms |
| Tonearm | Static balance type, S-shaped arm tube |
| Effective length | 234 mm, 9.2 inch |
| Overhang | 15 mm, 0.6 inch |
| Acceptable weight of cartridge | 3 - 10 g |
| Power consumption | 15 W |
| Dimensions | 448 (W) x 156 (H) x 350 (D) mm 17.6 (W) x 6.1 (H) x 13.8 (D) inch (including dust cover) |
| Weight | 11.8 kg, 26.0 lbs |

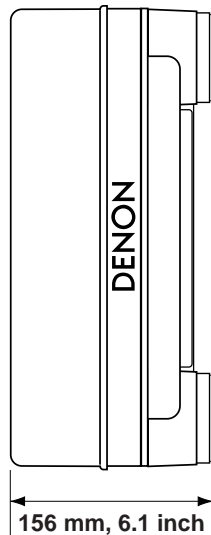
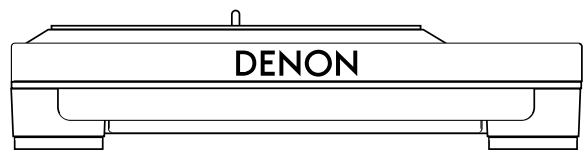
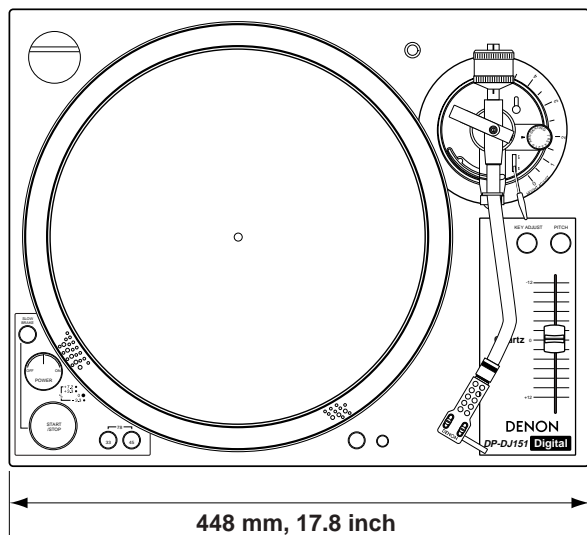
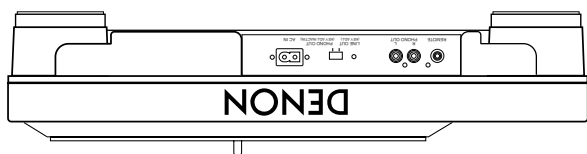
Design and specifications are subject to change without notice.



Back Panel of the DP-DJ151



DP-DJ101



DP-DJ151

DENON

NIPPON COLUMBIA CO., LTD.
14-14, AKASAKA 4-CHOME, MINATO-KU, TOKYO 107-8011, JAPAN
www.denon.co.jp

DENON ELECTRONICS.
DIVISION OF DENON CORPORATION (USA)
19 CHAPIN ROAD, PINE BROOK, NJ 07058-9777, USA
www.del.denon.com 973-396-0810

DENON CANADA INC.
17 DENISON STREET, MARKHAM ONTARIO, CANADA L3R 1B5