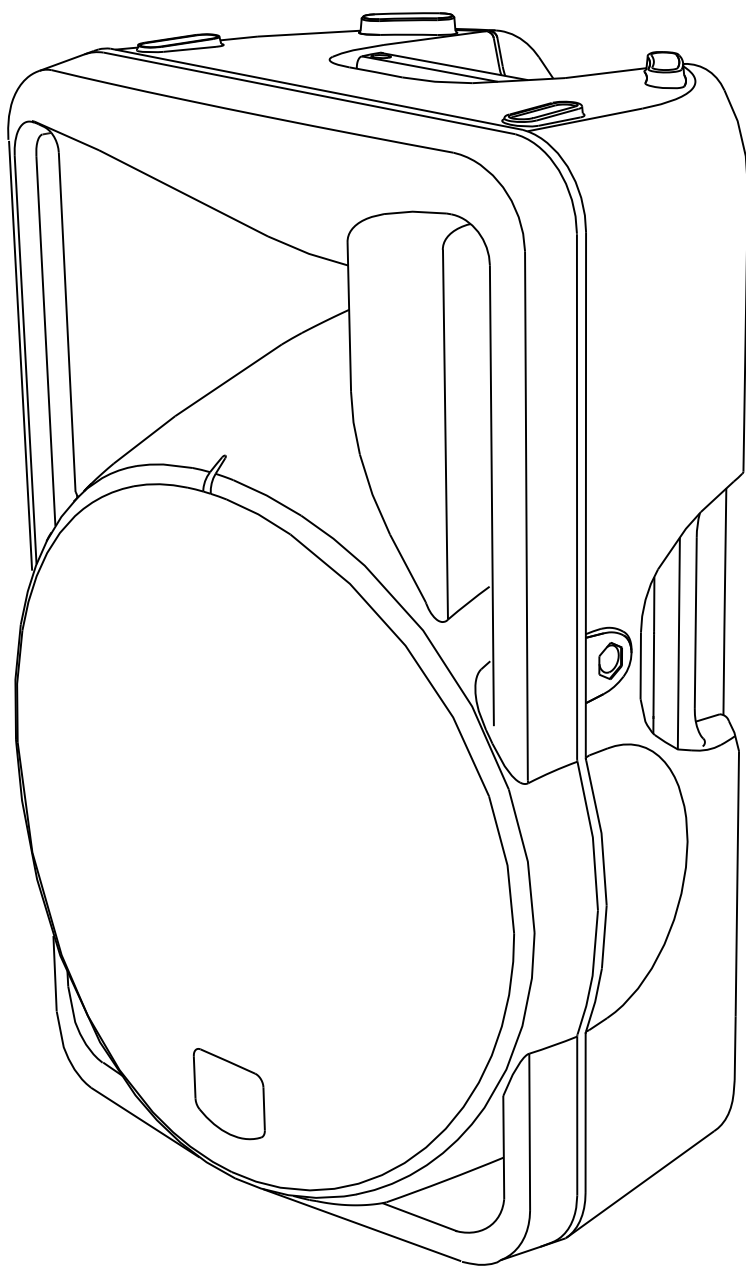


**PROFESSIONAL
ACTIVE SPEAKER**



**OPERA
LIVE SERIES**



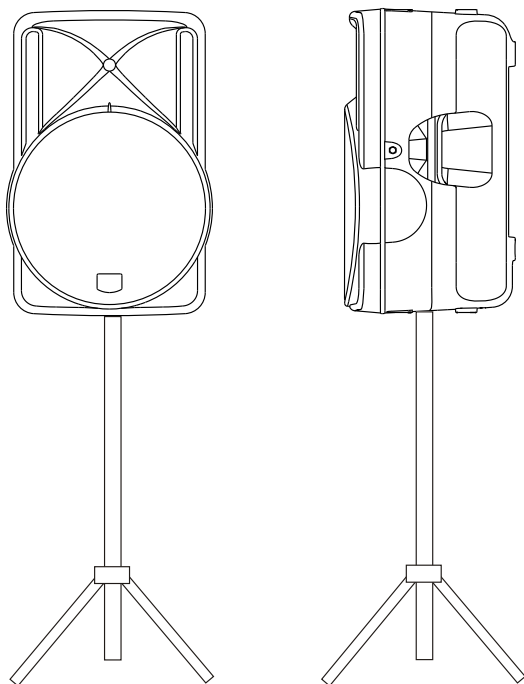
**MANUALE D'USO
USER MANUAL
BEDIENUNGSANLEITUNG
CARACTERISTIQUES TECHNIQUES**



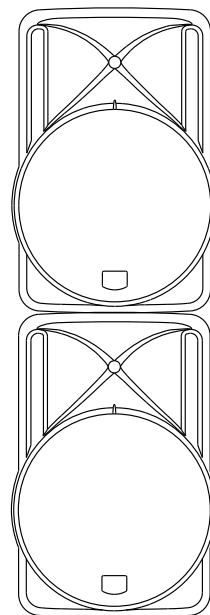
Made in ITALY

420120104

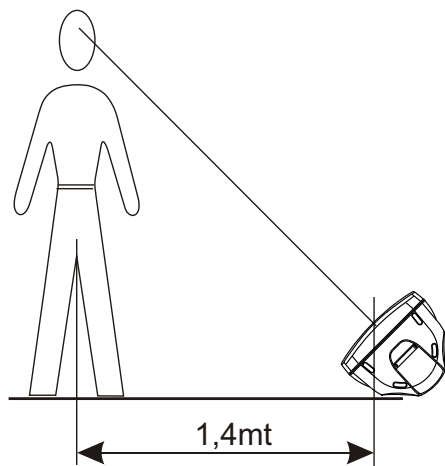
UTILIZZI E INSTALLAZIONI



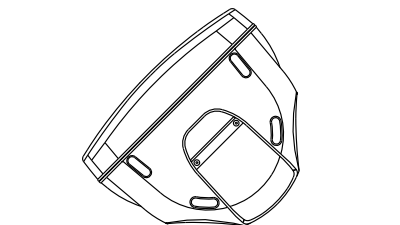
Utilizzo con supporto piantana



Utilizzo in appoggio (impilato)



45°

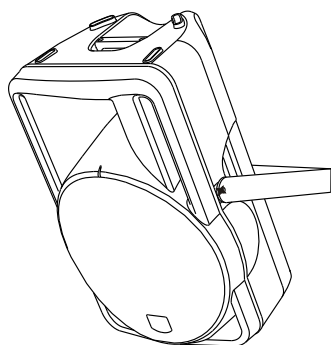


Utilizzo a pavimento (monitor)

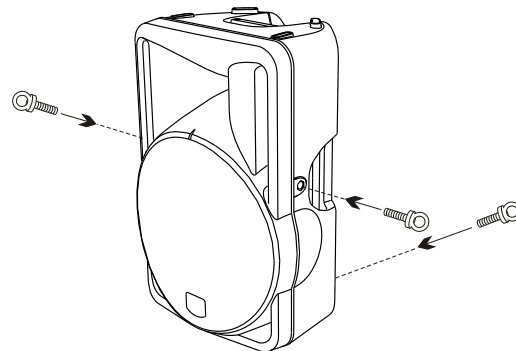


ATTENZIONE

Non utilizzare mai le maniglie per appendere il diffusore!



Il kit di fissaggio con staffa è opzionale (codice WB 08)



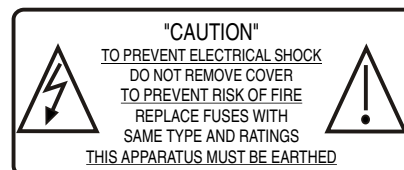
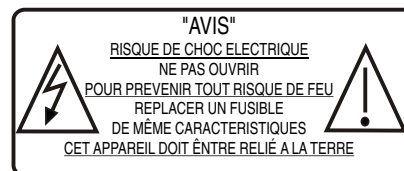
Il kit di fissaggio con golfari è opzionale (codice AFL 04)

Installazione fissa

SAFETY INSTRUCTIONS

CAUTION: TO REDUCE THE RISK OF ELECTRICAL SHOCK, DO NOT REMOVE THE COVER (OR BACK). NO USER SERVICEABLE PARTS INSIDE; REFER SERVICING TO QUALIFIED PERSONNEL.

WARNING: TO REDUCE THE RISK OF FIRE OR ELECTRICAL SHOCK. DO NOT EXPOSE THIS APPARATUS TO RAIN OR MOISTURE.



This symbol, wherever it appears, alerts you to the presence of uninsulated dangerous voltage inside the enclosure - voltage that may be sufficient to constitute a risk of shock.



This symbol wherever it appears, alerts you to important operating and maintenance instructions in the accompanying literature. Read the manual.

DETAILED SAFETY INSTRUCTIONS:

Read these instructions

All the safety and operation instructions should be read before the apparatus is operated.

Keep these instructions

The safety and operating instructions should be retained for future reference.

Heed all warnings

All warnings on the apparatus and in the operating instructions should be adhered to

Follow all instructions:

All operation and user instructions should be followed

Water and moisture

Do not use this apparatus near water (e.g. near a bathtub, washbowl, kitchen sink, laundry tub, in a wet basement, or near a swimming pool etc.)

Cleaning

Clean only with a dry cloth. Do not use solvents, alcohol, benzene or volatile substances for cleaning the exterior parts.

Ventilation

Do not block any of the ventilation openings. Install in accordance with the manufacturers instructions. The apparatus should be situated so that its location or position does not interfere with its proper ventilation.

Heat

Do not install the apparatus near any heat sources such as radiators, heat registers, stoves, or other apparatus (including amplifiers) that produce heat.

Grounding or Polarization

Do not defeat the safety purpose of the polarized or grounding/type plug. To prevent the risk of electrical shock, the metallic parts of the speaker must be earthed. A polarized plug has two blades with one wider than the other. A grounding type plug has two blades and a third grounding prong. The wide blade or the third prong are provided for your safety. When the provided plug does not fit into your outlet, consult an electrician for replacement of the obsolete outlet.

Speaker shall be connected to a MAINS socket outlet with a protective earthing connection.

Power Source

The apparatus should be connected to a power supply only of the type described in the operating instructions or as marked on the apparatus. In order not to jeopardize the safety of the speaker, it must only be connected to the mains using the power cable provided.

DPDT Mains Switch is used as the disconnect device located at the rear.

Power Cord Protection

Protect the power cord from being walked on or pinched particularly at plugs, convenience receptacles, and the point where they exit from the apparatus.

Accessories

Only use attachments/accessories specified by the manufacturer.

Carts and stands

Use only with a cart, stand, tripod, bracket, or table specified by the manufacturer, or sold with the apparatus. When a cart is used, use caution when moving the cart/apparatus combination to avoid injury from tip-over.

Non-use Periods:

Unplug this apparatus during lightning storms or when unused for long periods of time.

Object and Liquid Entry

Care should be taken so that objects do not fall and liquids are not spilled into the enclosure through openings.

Damage Requiring Service

Refer all servicing to qualified service personnel. Servicing is required when:

- the apparatus has been damaged in any way;
- the power-supply cord or the plug has been damaged;
- the liquid had been spilled or objects have fallen into the apparatus;
- the apparatus has been exposed to rain or moisture
- the apparatus does not operate normally or exhibits a marked change in performance;
- the apparatus had been dropped.

Servicing:

The user should not attempt to service the apparatus beyond that is described in the Operating Instructions. All other servicing should be referred to qualified service personnel.

IMPORTANT NOTES

This manual is to be considered an integral part of the product, and must always accompany the speaker when it changes ownership as a reference for correct installation and operation as well as for the safety regulations.

dB Technologies will not assume any responsibility for incorrect installation of the speaker.

OPERATING PRECAUTIONS

- Do not force the amplifier incorporated in the speaker to work in overload for extended periods of time.
- Never force the control elements (switches, controls, etc.).



CAUTION

- Make sure that the speaker is positioned in a stable and secure way in order to avoid any dangerous conditions for persons or objects.

CONNECTION



CAUTION

- For connecting the speaker, use only qualified and experienced personnel having sufficient technical knowledge or specific instructions for making the connections correctly and thus preventing electrical dangers.
- To prevent the risk of electrical shock, the speaker must only be supplied from the mains after all connections have been completed.
- Before powering up the speaker, it is advisable to re-check all the connections, making sure in particular that there are no short circuits.
- The entire sound system must be designed and installed in compliance with the current standards and regulations regarding electrical systems.



CAUTION

To prevent inductive phenomena from giving rise to hum or disturbance which would jeopardize efficient speaker operation, the cables that transmit microphone signals or line level signals (e.g. 0 dB/V) must be screened and should not be run in the vicinity of:

- 1) Equipment that produces strong magnetic fields (e.g. large power supply transformers)
- 2) Electrical energy conductors
- 3) Lines that supply speakers.

PROTECTION SYSTEM

The speaker is equipped of a exclusive system, which protects the loudspeakers against overheating, ensuring the maximum reliability in all professional applications. In addition, a sophisticated system incorporated in the amplifier handles the limiter circuits and the protection against overheating and short circuits.

COMMANDS AND FUNCTIONS

AMPLIFIER PANEL (FIG. 1)

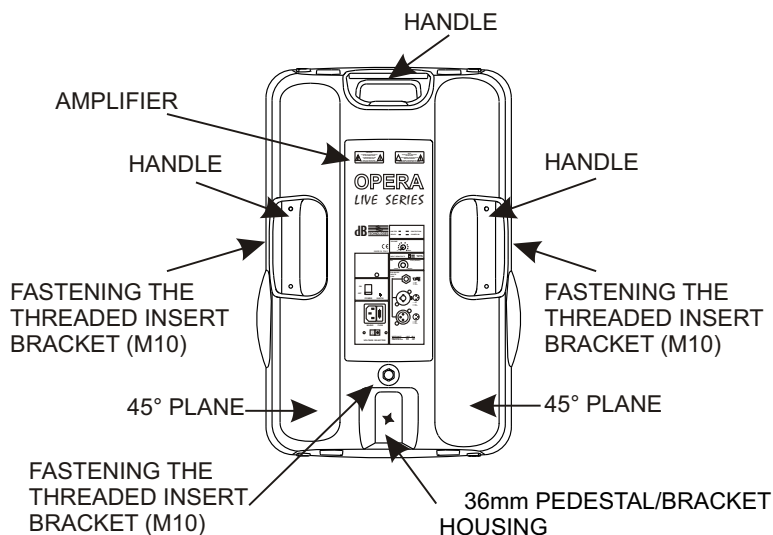
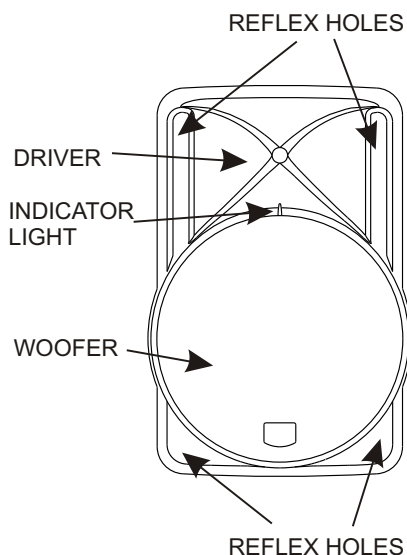
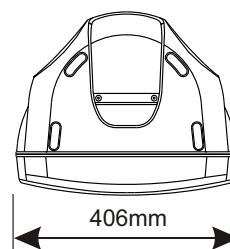
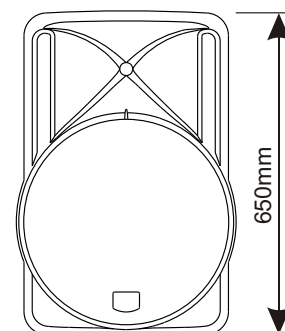
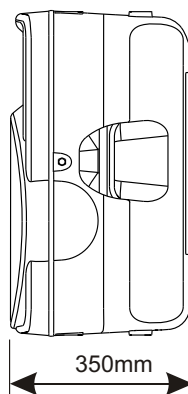
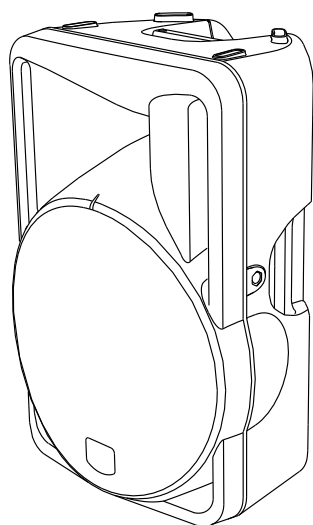
- 1) **“VOLUME” CONTROL**
The knob regulates the diffuser's volume.
This control does not affect the output “LINK” levels.
- 2) **“INPUT SENSITIVITY” SENSITIVITY SWITCH**
Position the switch in LINE to use a line level source (0 dB) or MIC to use a microphone.
- 3) **“LIMITER-PROTECTION” INDICATOR LIGHT**
The “LIMITER-PROTECTION” indicator light comes on red during start (for a few seconds) and when the internal audio limiter engages. This avoids the amplifier's distortion and protects the loudspeakers against overloads.
- 4) **“POWER ON - READY” INDICATOR LIGHT**
The “POWER ON - READY” indicator light comes on green to indicate that the amplifier is switched on and it is working properly.
- 5) **EQUALIZATION CONTROL**
This control permits the equalization of the speaker.
The "FLAT" central position permits a linear sound reproduction of the speaker. By turning the control towards “VOICE”, the response curve of the speaker highlights the mid frequencies while if the control is turned towards “MUSIC”, the low and high frequencies are highlighted.
This control does not affect the level of the output signal (link).
- 6) **“BALANCED INPUTS LINK” CONNECTORS**
These balanced inputs can be used to connect balanced or unbalanced microphones or audio sources at line level (0dB) (eg. preamplifier, mixer, recorder, CD player, musical instrument, ...).
The balanced connector is connected in parallel and can be used to send the audio signal to other amplified speakers, recorders or supplementary amplifiers.
- 7) **POWER SWITCH “POWER”**
This switch can be used to switch the diffuser on and off.
- 8) **POWER CABLE SOCKET “MAINS”**
Used for connecting the power cable supplied.
- 9) **FUSE CARRIER “FUSE”**
Mains fuse housing.
- 10) **VOLTAGE CHANGE “VOLTAGE SELECTOR”**
For changing the power voltage of the speaker (240/120V).
This switch is preset and protected by the manufacturer.

SPEAKER FRONT (FIG.2)

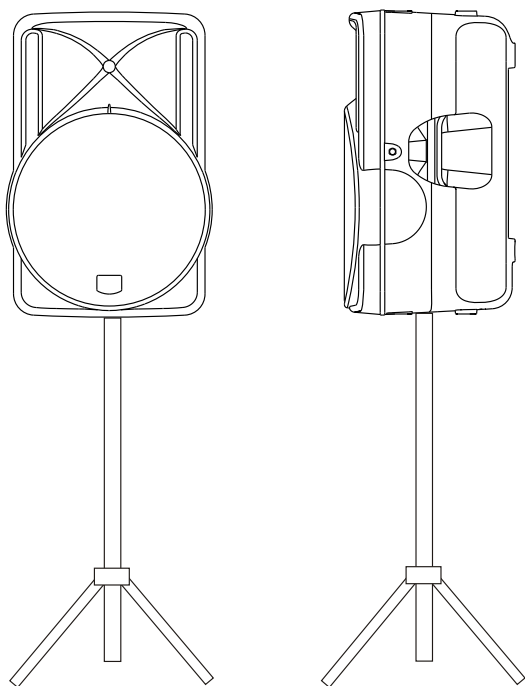
- 1) **INDICATOR LIGHT**
The blue indicator light indicates speaker start.

TECHNICAL SPECIFICATION

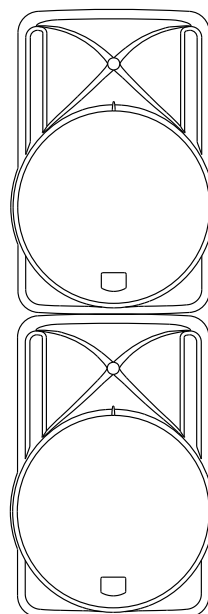
TECHNICAL FEATURES	OPERA LIVE 202	OPERA LIVE 205	OPERA LIVE 402	OPERA LIVE 405
System	bi-amp	bi-amp	bi-amp	bi-amp
Amplifier type	TREBLE - class AB BASS - class H	TREBLE - class AB BASS - class H	TREBLE - class AB BASS - class H	TREBLE - class AB BASS - class H
Power RMS	150W LF + 50W HF	150W LF + 50W HF	250W LF+50W HF	250W LF+50W HF
Musical section power	300W LF + 100W HF	300W LF + 100W HF	500W LF+100W HF	500W LF+100W HF
Frequency response	68 - 18.000 Hz	68 - 18.000 Hz	60 - 18.000 Hz	60 - 18.000 Hz
Crossover	Ft 2000 Hz DR 12 dB/oct W 12dB/oct	Ft 2000 Hz DR 12 dB/oct W 12dB/oct	Ft 2000 Hz CD 12 dB/oct W 12dB/oct	Ft 2000 Hz CD 12 dB/oct W 12dB/oct
Sound pressure (SPL)	120 dB max	121 dB max	128 dB max	128 dB max
Loudspeakers	1 woofer 12" voice coil 2" 1 driver 1"	1 woofer 15" voice coil 2" 1 driver 1"	1 woofer 12" voice coil 2,5" 1 compress. driver 1" exit-voice coil 1,5"	1 woofer 15" voice coil 2,5" 1 compress. driver 1" exit-voice coil 1,5"
Input sensitivity	-40dB / 0dB (switch)	-40dB / 0dB (switch)	-40dB / 0dB (switch)	-40dB / 0dB (switch)
Impedance LINE/MIC				
Balanced	30K /1K2	30K /1K2	30K /1K2	30K /1K2
Unbalanced	15K /600	15K /600	15K /600	15K /600
Power supply	see label box			
Dimension (LxHxP)	406x650x350 mm	406x650x350 mm	406x650x350mm	406x650x350 mm
Weight	14,2 Kg	15,2 Kg	18,2 Kg	19,2 Kg



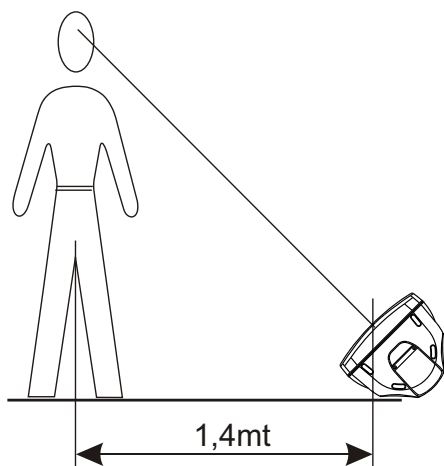
USES AND INSTALLATIONS



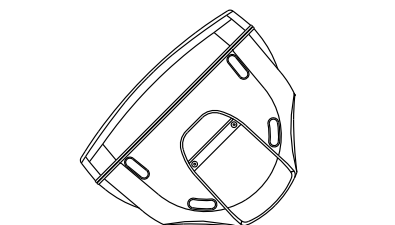
Use with pedestal stand



Supported use (stacked)



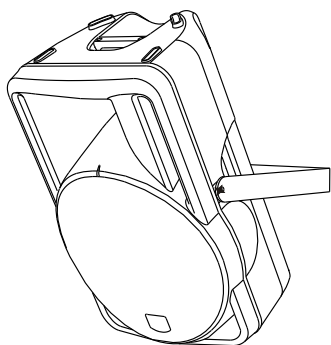
45°



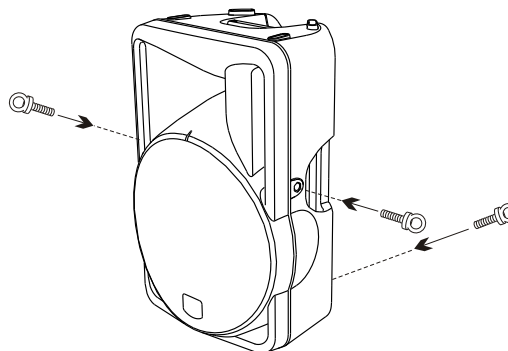
Floor use (monitor)



WARNING
Never use the handles to hang the speaker!



The bracket fastening kit is optional (code WB 08)



The fastening kit with eye-bolts is optional (code AFL 04)

Fixed wall installation

FIG. 1

OPERA LIVE 400 series

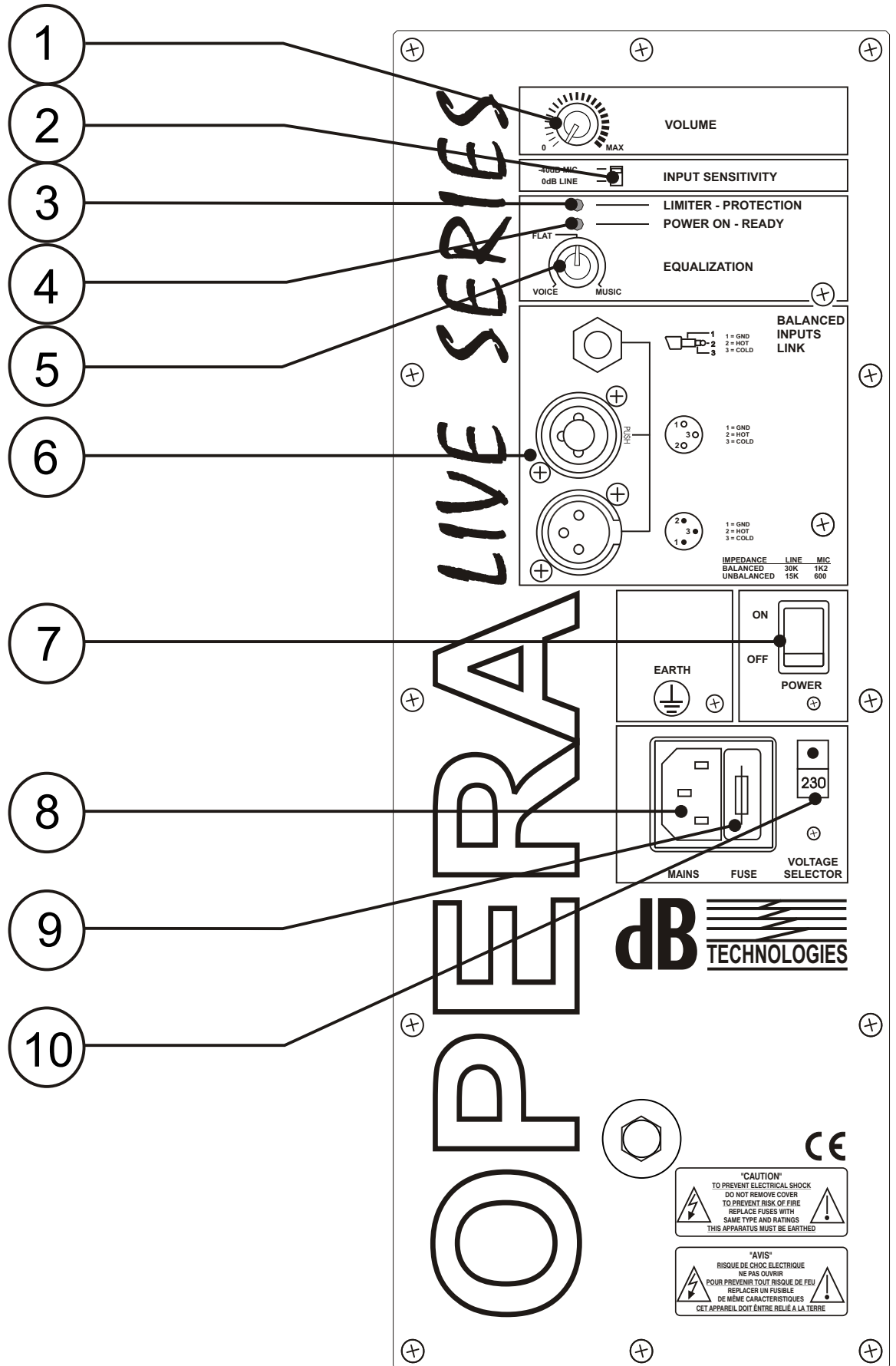


FIG. 1

OPERA LIVE 200 series

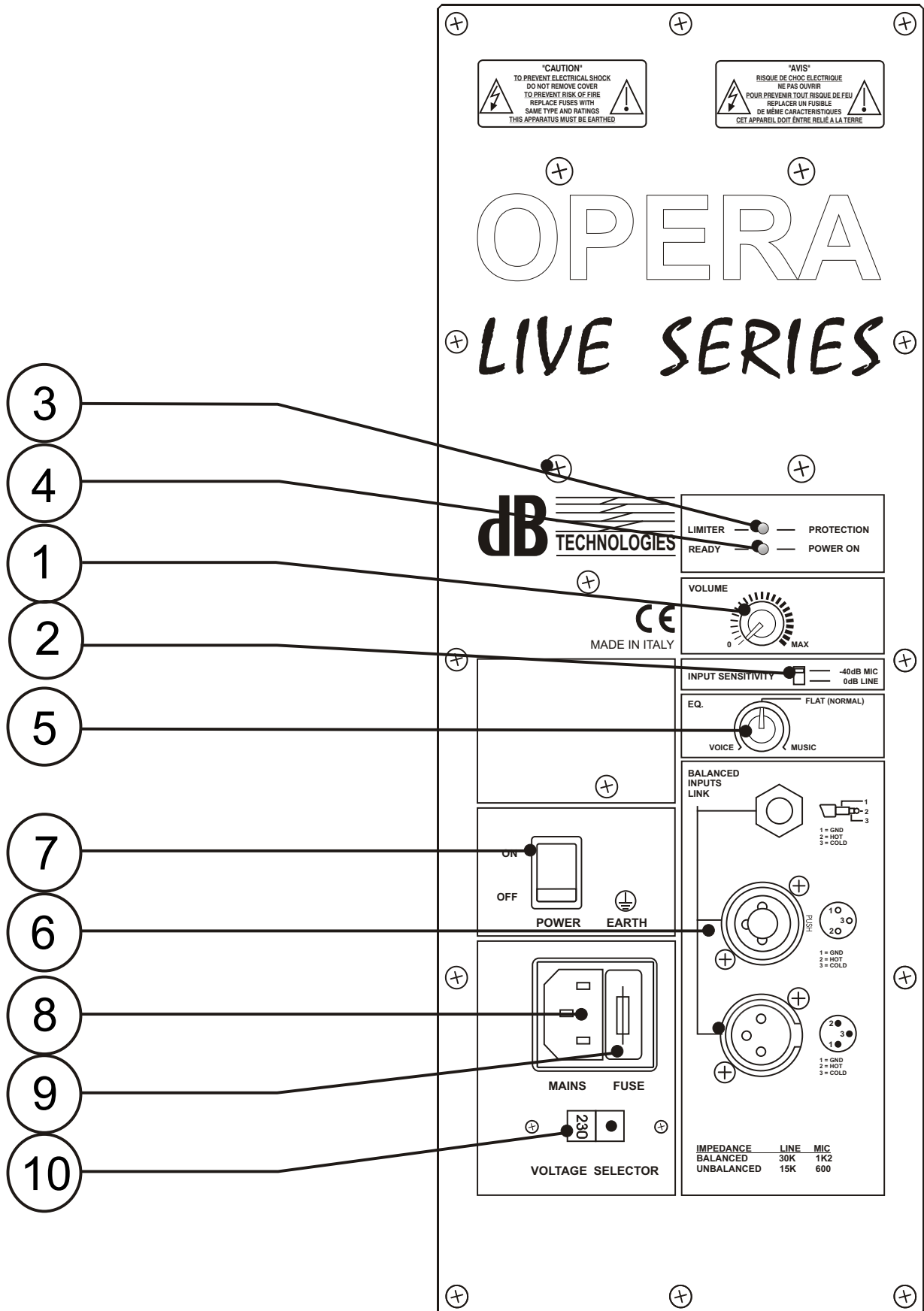
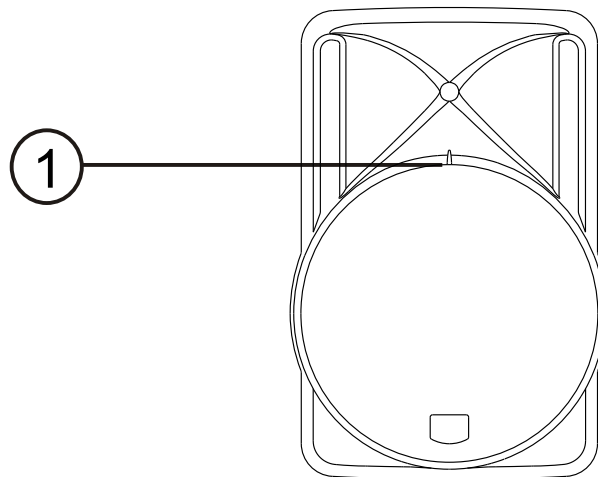
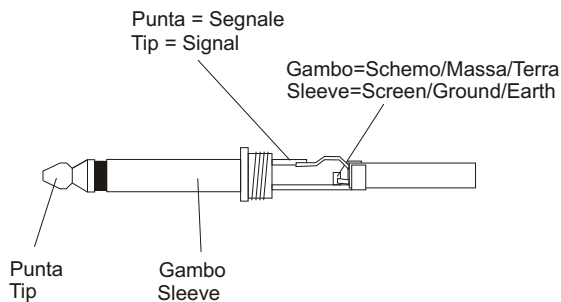


FIG. 2 OPERA LIVE frontal box

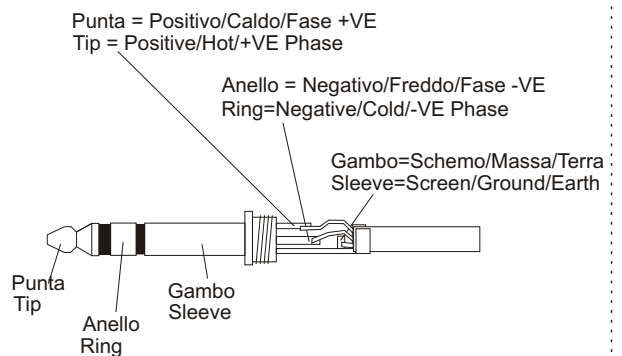


COLLEGAMENTI - CONNECTIONS ANSCHLÜSSE - BRANCHEMENTS

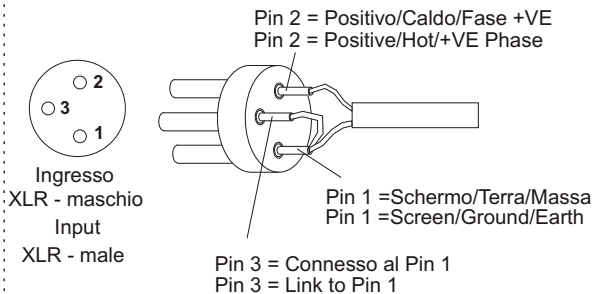
Funzionamento sbilanciato con connettore jack 1/4" (6,3mm) Unbalanced use of stereo 1/4" jack plug



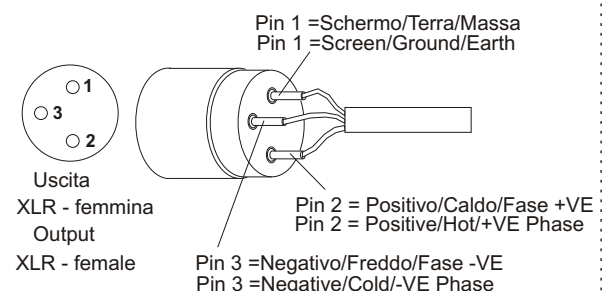
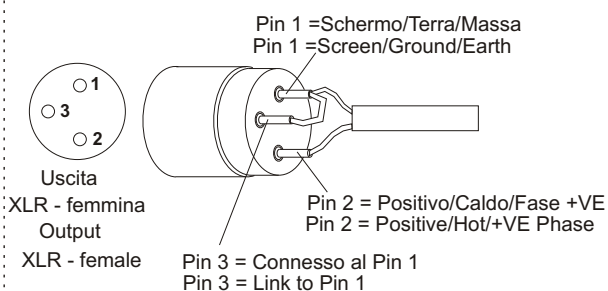
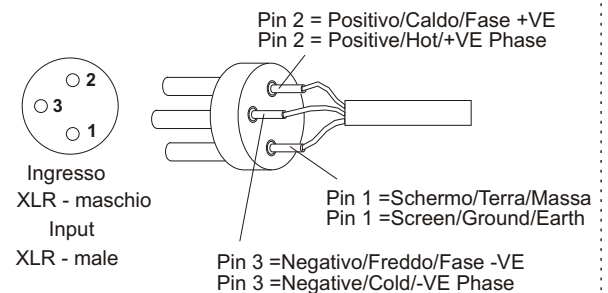
Funzionamento bilanciato con connettore jack 1/4" (6,3mm) Balanced use of stereo 1/4" jack plug



Funzionamento sbilanciato con connettore XLR Unbalanced use with XLR connectors

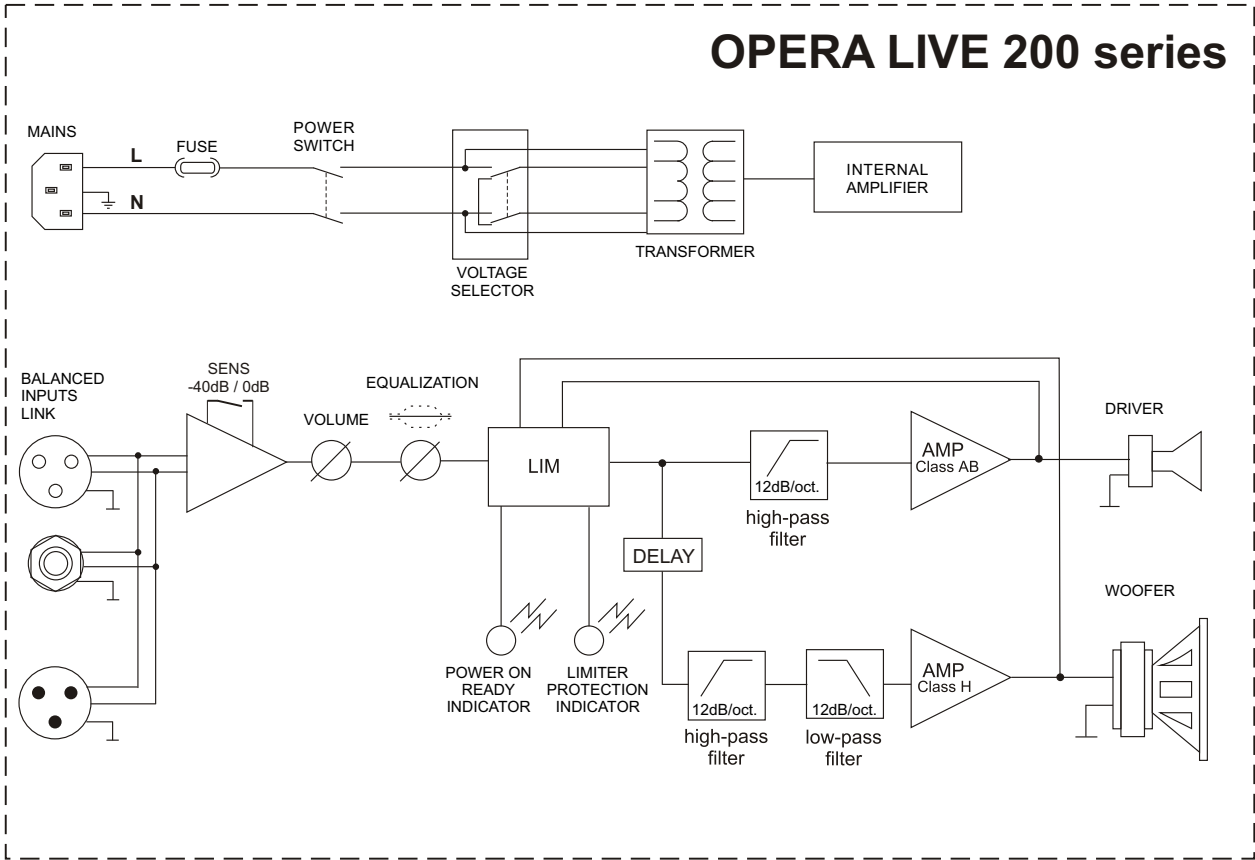


Funzionamento bilanciato con connettore XLR Balanced use with XLR connectors

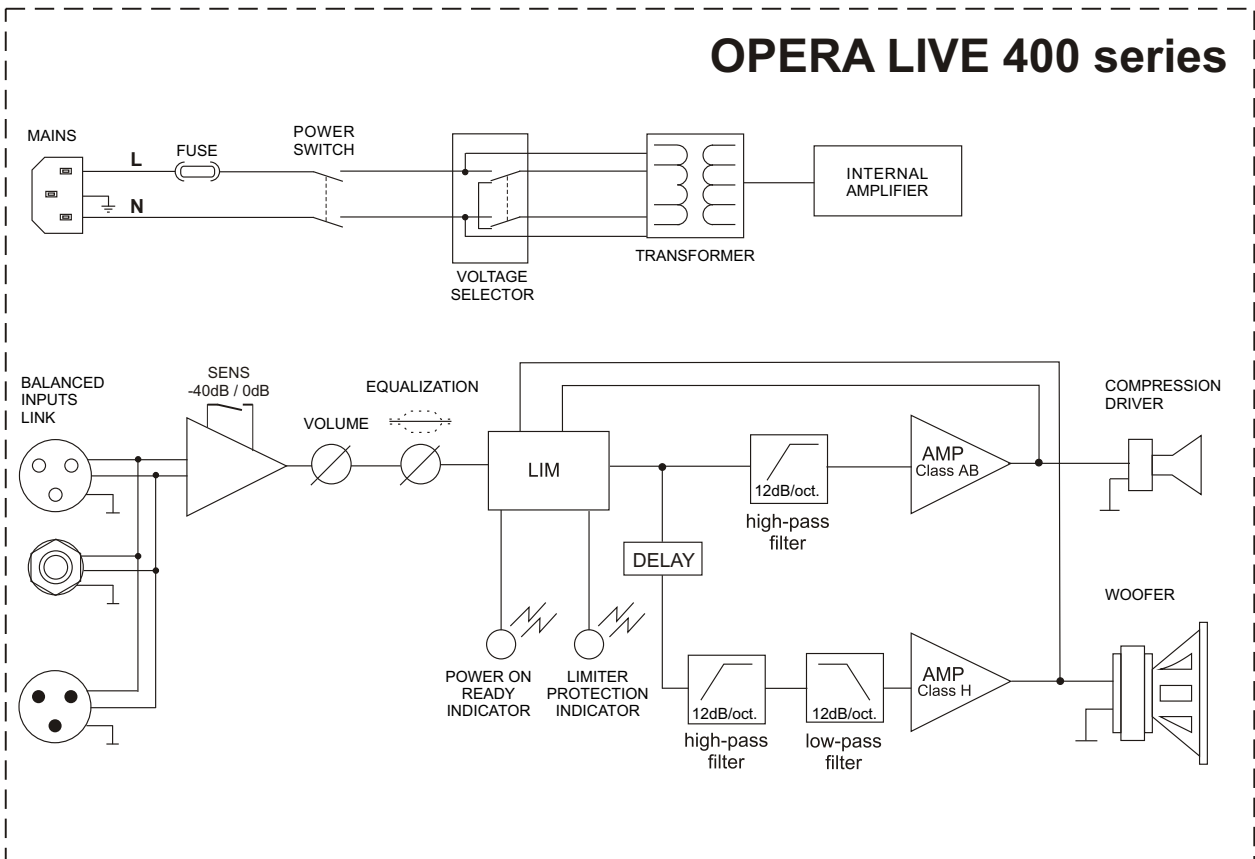


**SCHEMA A BLOCCHI
BLOCK DIAGRAM
BLOCKSCHALTBIKD
DIAGRAMA EM BLOQUES**

OPERA LIVE 200 series



OPERA LIVE 400 series





AEB s.r.l.

Via Brodolini, 8 - 40056 Crespellano (Bo) - ITALIA

Tel. + 39 051 969870 - Fax. + 39 051 969725

Internet: www.dbtechnologies-aeb.com

E-mail: info@dbtechnologies-aeb.com