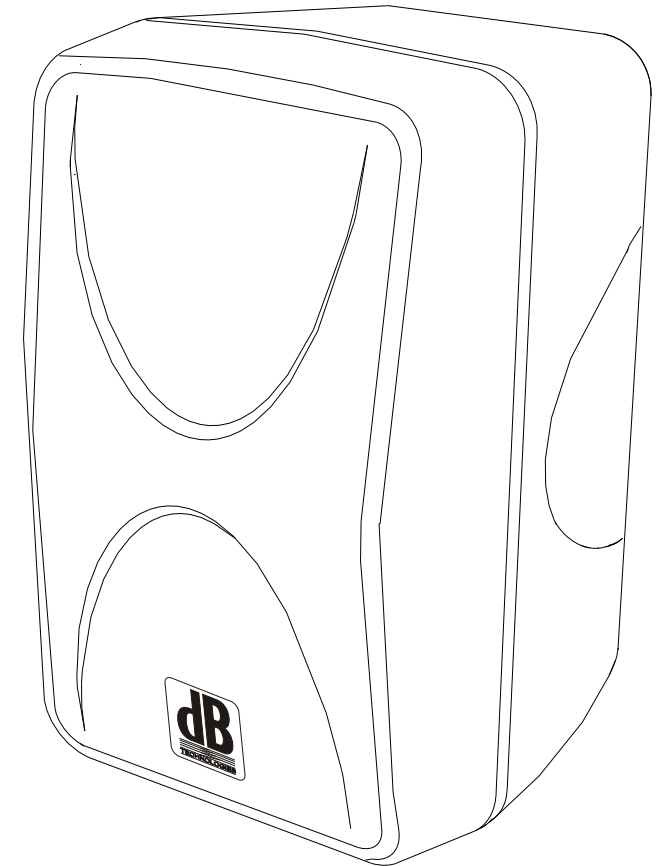


**PROFESSIONAL  
ACTIVE SPEAKER**



**K70**



**K**  
**SERIES**

**MANUALE D'USO**

**USER MANUAL**

**BEDIENUNGSANLEITUNG**

**CARACTERISTIQUES TECHNIQUES**

420120097 Rev.1



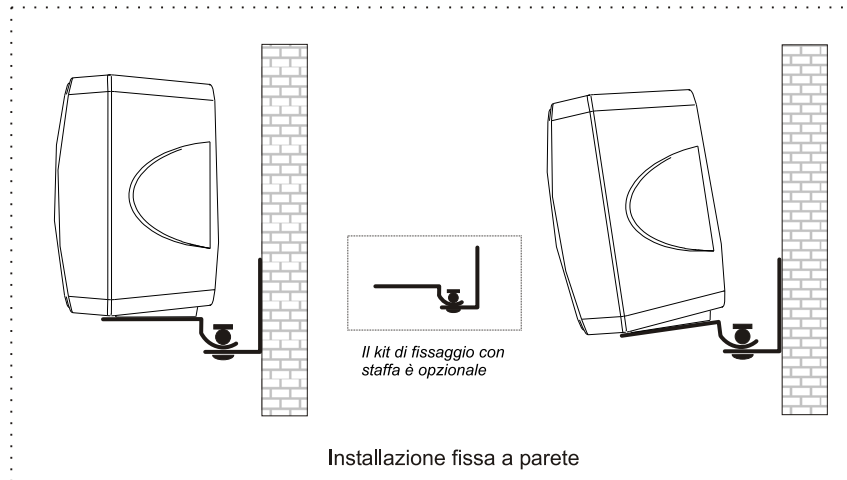
**A.E.B. INDUSTRIALE s.r.l.**  
Via Brodolini, 8 - 40056 Crespellano (Bo) - ITALIA  
Tel. + 39 051 969870 - Fax. + 39 051 969725  
Internet: [www.dbtechnologies.com](http://www.dbtechnologies.com)  
E-mail: [info@dbtechnologies-aeb.com](mailto:info@dbtechnologies-aeb.com)

## ISTRUZIONI DI SICUREZZA PER ACCESSORI



Contattare dB Technologies per gli accessori da utilizzare a corredo.  
Si declina ogni responsabilità da un utilizzo inappropriato degli accessori o di dispositivi aggiuntivi non idonei allo scopo.

## UTILIZZI E INSTALLAZIONI



## IMPORTANT SAFETY INSTRUCTIONS

- CAUTION:** TO REDUCE THE RISK OF ELECTRICAL SHOCK, DO NOT REMOVE THE COVER (OR BACK). NO USER SERVICEABLE PARTS INSIDE; REFER SERVICING TO QUALIFIED PERSONNEL.
- WARNING:** TO REDUCE THE RISK OF FIRE OR ELECTRICAL SHOCK. DO NOT EXPOSE THIS APPLIANCE TO RAIN OR MOISTURE.



This symbol, wherever it appears, alerts you to the presence of uninsulated dangerous voltage inside the enclosure - voltage that may be sufficient to constitute a risk of shock.



This symbol wherever it appears, alerts you to important operating and maintenance instructions in the accompanying literature. Read the manual.

## IMPORTANT NOTES

This manual is to be considered an integral part of the product, and must always accompany the equipment when it changes ownership, as a reference for correct installation and operation as well as for the safety regulations. The Manufacturing company will not assume any responsibility for incorrect installation of the amplifier.

**Read these instructions**

All the safety and operation instructions should be read before the appliance is operated.

**Heed all Warnings**

All warnings on the appliance and in the operating instructions should be adhered to

**Long period non use of equipment**

If long term non use of appliance is expected, it would be better to unplug this apparatus from power supply, put it into proper packaging and cover to avoid dust exposure.

**Damage and repair**

If apparatus has been damaged it is forbidden to repair it or to remove cover. Disconnect the unit from the mains power and contact technical assistance for repair.

## INSTALLATION AND OPERATING PRECAUTIONS

**GENERAL****Keep these instructions**

For a correct use of the appliance, the safety and operating instructions should be retained for future reference.

**Apparatus positioning**

Make sure that the apparatus is positioned in a stable and secure way in order to avoid any dangerous conditions for persons or objects.

**Grounding protection**

The apparatus is made in protection CLASS I to prevent the risk of electrical shock the appliance must be connected to a mains socket outlet with a protective earthing connection. Before making the electrical connection of the appliance, ensure that the electrical distribution network conforms to the regulations regarding electrical equipment.

**Power Source**

The appliance should be connected to a power supply only of the type described in the operating instructions or as marked on the appliance (see "Specifications"). In order not to jeopardize the safety of the amplifier, it must only be connected to the mains using the power cable provided.

**Disconnection from the mains**

The power mains connector (VDE o POWER CON®) is the device to disconnect from the mains. This device must be easily accessible after installation.

**Power Cord Protection**

To ensure a safe use of appliance, use only the power cord supplied with the equipment, taking care to place it and protect it to avoid damage during use. If power cord becomes damaged contact technical assistance and request replacement. Do not use cables other than supplied cables.

**Water and Moisture**

Do not install this apparatus near water (e.g. near washbasins, sinks, showers, bathtubs, swimming pool, wet floors or anything in the presence of water and liquids in general).

**Object and Liquid Entry**

The apparatus must be placed in inappropriate position. Care should be taken so that objects do not fall and liquids are not spilled into the enclosure through cooling grid with consequent electrical danger.

**Ventilation**

The appliance should be situated so that its location or position does not interfere with its proper ventilation. Do not block or cover any openings of the grid ventilation or heatsink. Install the apparatus at a distance that ensures a good ventilation between devices.

**Heat**

Do not install the appliance near any source of heat.

**Accessories and installation**

It is obligatory to use only supports, brackets and accessories made by dB Technologies.

For a safe installation, do not make any holes in the external chassis for the application of additional brackets. In case of particular installations not described in this manual, contact technical service for accessories specified by the manufacturer.

**Follow the instructions**

All operations and instructions in this user manual should be followed for a correct operation and function of appliance. Pay attention in particular to:

- Never force the control elements (switches, controls, etc.).
- Do not force the amplifier to work in overload for extended periods of time.

**Cleaning**

Clean only with a dry cloth. Do not use solvents, alcohol, benzene or volatile substances for cleaning the exterior parts.

**CONNECTION****CAUTION**

- For connecting the appliance, use only qualified and experienced personnel having sufficient technical knowledge or specific instructions for making the connections correctly and thus preventing electrical dangers.
- To prevent the risk of electrical shock, the appliance must only be supplied from the mains after all connections have been completed.
- Before powering up the appliance, it is advisable to re-check all the connections.
- The entire sound system must be designed and installed in compliance with the current standards and regulations regarding electrical systems.

**SUGGESTIONS****CAUTION**

To prevent inductive phenomena from giving rise to hum or disturbance which would jeopardize efficient appliance operation, the cables that transmit microphone signals or line level signals (e.g. 0 dB/V) must be screened and should not be run in the vicinity of:

- 1) Equipment that produces strong magnetic fields (e.g. large power supply transformers)
- 2) Electrical energy conductors
- 3) Lines that supply speakers.

This device complies with European Directives 2006/95/EC and 2004/108/EC and is provided with CE marking.

The respective declaration of conformity is available in AEB Industriale s.r.l.

**EMI CLASSIFICATION**

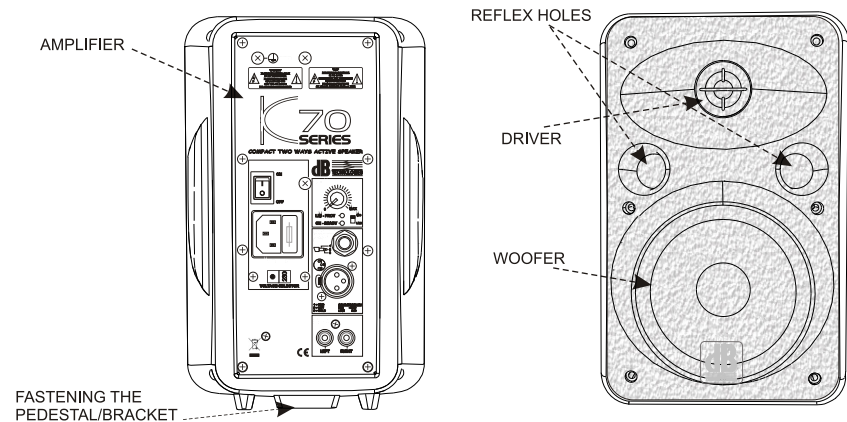
According to the standards EN 55103 this equipment is designed and suitable to operate in E3 (or lower E2, E1) Electromagnetic environments.

**DESCRIPTION**

The "K" series consist of the model "K70", two ways full-range diffuser of small dimension, studied for the sonorization of small to medium environments, excellent for installation .

**COMMANDS AND FUNCTIONS (FIG. 1 p.21)**

- 1) **"VOLUME" CONTROL**  
The knob regulates the diffuser's volume.  
This control does not affect the output "LINK" levels.
- 2) **"LIM-PROT" INDICATOR LIGHT**  
The "LIM-PROT" indicator light comes on red during start (for a few seconds) and when the internal audio limiter engages. This avoids the amplifier's distortion and protects the loudspeakers against overloads.
- 3) **"INPUT SENSITIVITY" SENSITIVITY SWITCH**  
Position the switch in LINE to use a line level source (0 dB) or MIC to use a microphone.
- 4) **"ON - READY" INDICATOR LIGHT**  
The "ON - READY" indicator light comes on green to indicate that the amplifier is switched on and it is working properly.
- 5) **"BALANCED INPUTS LINK" CONNECTORS**  
These balanced inputs can be used to connect balanced or unbalanced microphones or audio sources at line level (0dB) (eg. preamplifier, mixer, recorder, CD player, musical instrument, ...).  
The balanced connector is connected in parallel and can be used to send the audio signal to other amplified speakers, recorders or supplementary amplifiers.
- 6) **"STEREO CD-AUX" INPUT CONNECTOR**  
Through the RCA phono connectors, this input permits easy connection of CD, DAT, cassette players, etc.....
- 7) **POWER SWITCH "POWER"**  
This switch can be used to switch the diffuser on and off.
- 8) **POWER CABLE SOCKET "MAINS"**  
Used for connecting the power cable supplied.
- 9) **FUSE CARRIER "FUSE"**  
Mains fuse housing.
- 10) **VOLTAGE CHANGE "VOLTAGE SELECTOR"**  
For changing the power voltage of the speaker (240/120V).  
This switch is preset and protected by the manufacturer.



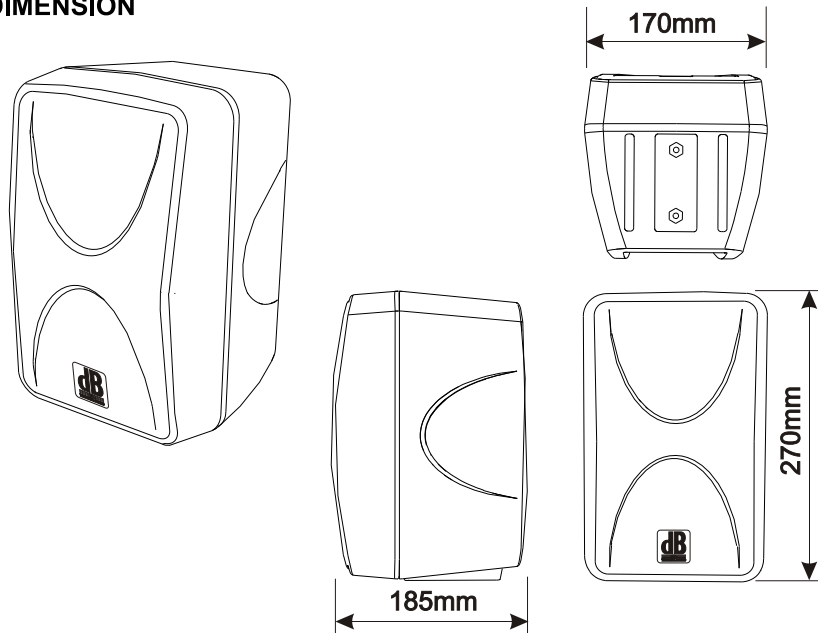
## TECHNICAL SPECIFICATION

| TECHNICAL DETAILS          | K70                                |
|----------------------------|------------------------------------|
| System                     | Active                             |
| Amplifier type             | class AB                           |
| RMS power                  | 50W                                |
| Musical section power      | 100W                               |
| Frequency response         | 100 -16000Hz                       |
| Crossover                  | 4000 Hz 6dB                        |
| Sound pressure (SPL)       | 101 dB max                         |
| Loudspeakers               | 1 x5" woofer 25mm coil<br>1 driver |
| Input sensitivity          | -40dB / 0dB (switch)               |
| Impedance LINE/MIC         | LINE/MIC                           |
| Balanced                   | 30K $\Omega$ /1K2 $\Omega$         |
| Unbalanced                 | 15K $\Omega$ /600 $\Omega$         |
| MIC/LINE input sensitivity | -40dBu / 0dBu (switch)             |
| RCA input sensitivity      | -10 dBu                            |
| Power supply               | as indicated on rear panel         |
| Dimension (LxHxP)          | 170x270x185mm                      |
| Weight                     | 3,7 Kg                             |

## PROTECTION SYSTEM

The speaker is equipped of a exclusive system, which protects the loudspeakers against overheating, ensuring the maximum reliability in all professional applications. In addition, a sophisticated system incorporated in the amplifier handles the limiter circuits and the protection against overheating and short circuits.

## DIMENSION

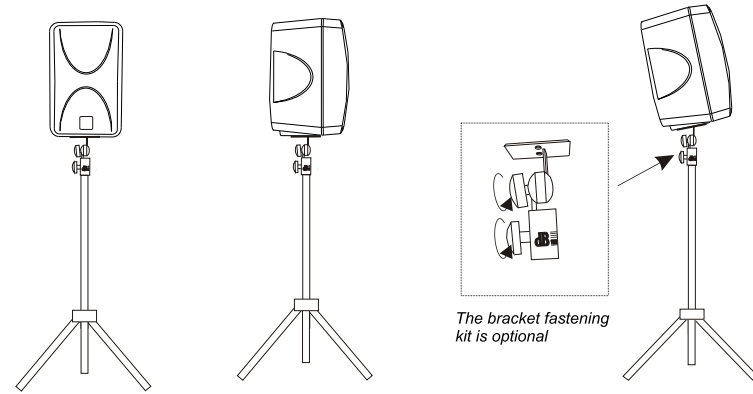


## SAFETY INSTRUCTIONS FOR ACCESSORIES

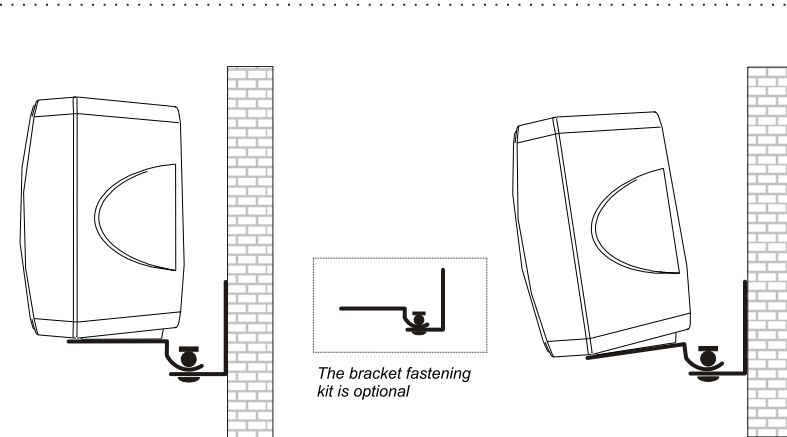


Contact dB Technologies for accessories to be used with speakers.  
Will not accept any responsibility when inappropriate accessories or not suitable additional devices are used.

## USES AND INSTALLATIONS

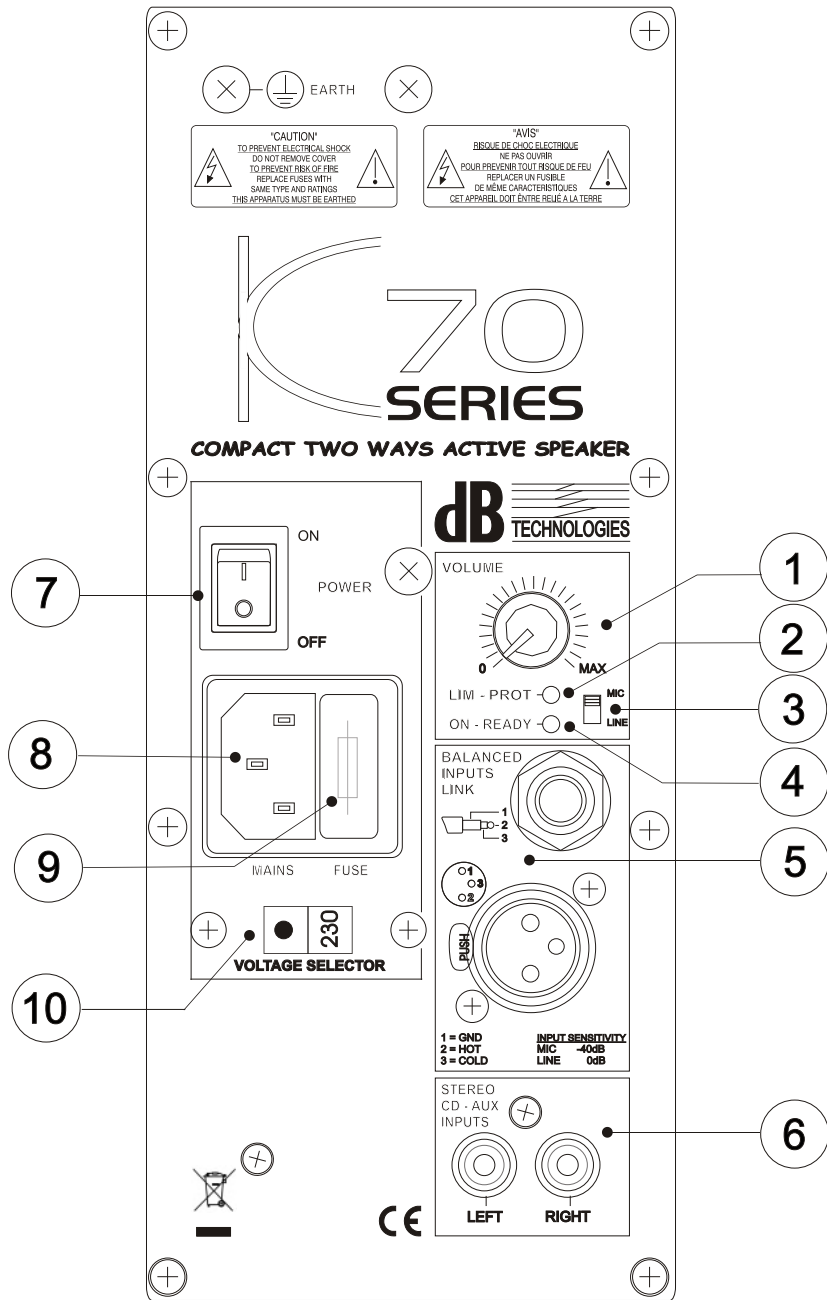


Use with pedestal stand

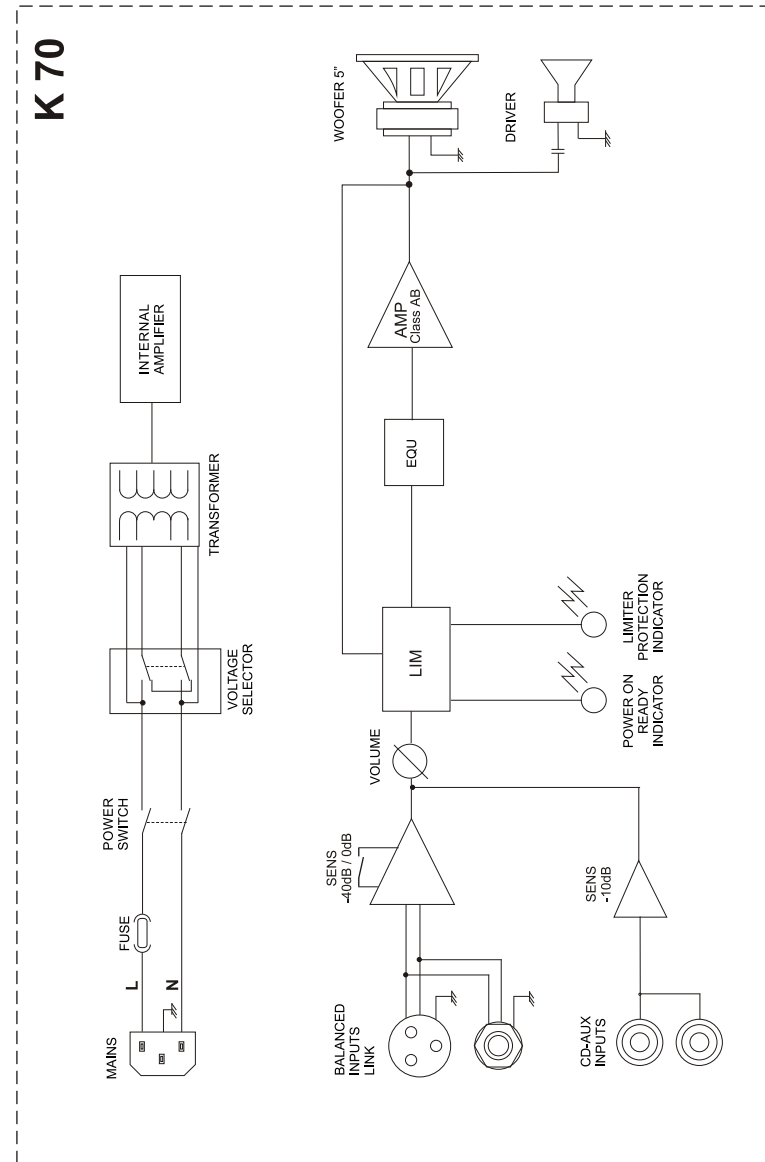


Fixed wall installation

FIG. 1

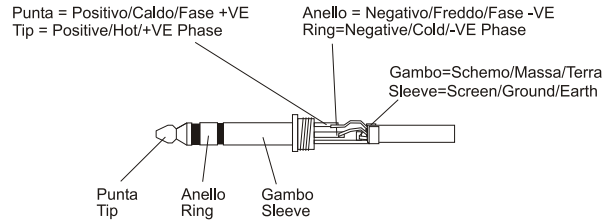


SCHEMA A BLOCCHI  
 BLOCK DIAGRAM  
 BLOCKSCHALTBIKD  
 DIAGRAMA EM BLOQUES

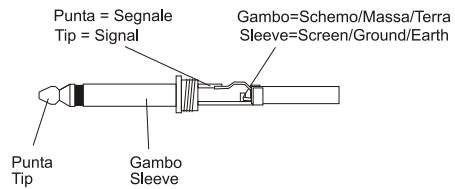


COLLEGAMENTI  
CONNECTIONS  
ANSCHLÜSSE  
BRANCHEMENTS

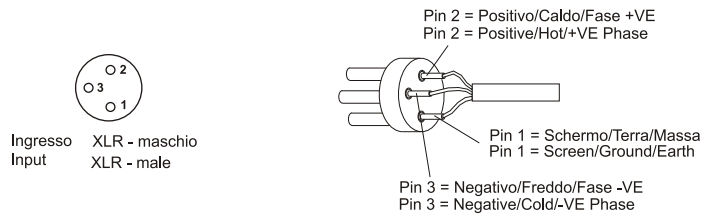
**Funzionamento bilanciato con connettore jack 1/4" (6,3mm)**  
**Balanced use of stereo 1/4" jack plug**



**Funzionamento sbilanciato con connettore jack 1/4" (6,3mm)**  
**Unbalanced use of stereo 1/4" jack plug**



**Funzionamento bilanciato con connettore XLR**  
**Balanced use with XLR connectors**



**Funzionamento sbilanciato con connettore XLR**  
**Unbalanced use with XLR connectors**

