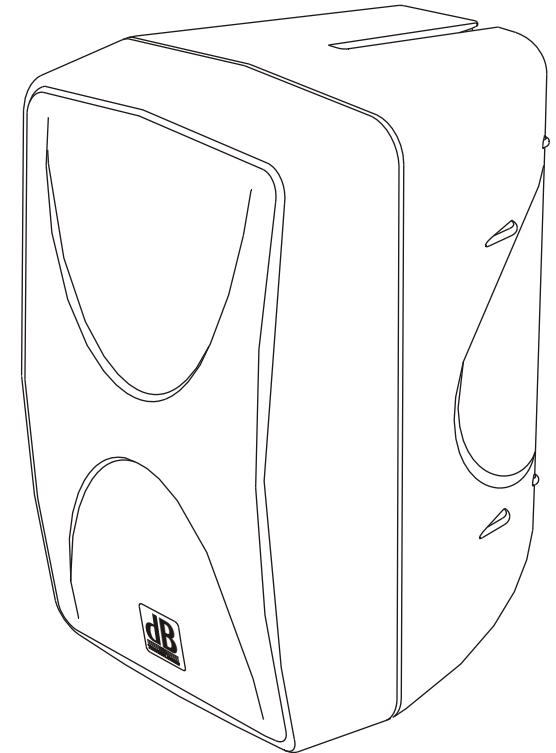


PROFESSIONAL
ACTIVE SPEAKER



K300



SERIES

MANUALE D'USO
USER MANUAL
BEDIENUNGSANLEITUNG
CARACTERISTIQUES TECHNIQUES



Made in Italy

COD. 420120172 rev.5



A.E.B. INDUSTRIALE s.r.l.
Via Brodolini, 8 - 40056 Crespellano (Bo) - ITALIA
Tel. + 39 051 969870 - Fax. + 39 051 969725
Internet: www.dbtechnologies.com
E-mail: info@dbtechnologies-aeb.com

DESCRIPTION

The K300 speaker uses a digital amplifier of DIGIPRO ® series of next generation with cutting edge power to 120W.

These highly efficient amplifiers provide high power with limited weight and dimension. Thanks to the low power dissipated, the cooling of the amplifier module does not require a fan.

The digital preamplifier with DSP (Digital Signal Processing) controls the audio crossover of the acoustic components, the frequency response, the limiter, and the phase alignment.

The correct switch on of the amplifier is ensured by an initialization procedure; during this test stage the LEDs ("LIMITER" and "READY"), located on the amplifier module, remain off for approx. 2 sec.

At the end of the switch on procedure, on the amplifier module, the "READY" green LED blinks slowly, in the absence of the signal.

During normal operation the "READY" green LED blinks according to the song / sound reproduction in use.

COMMANDS AND FUNCTIONS

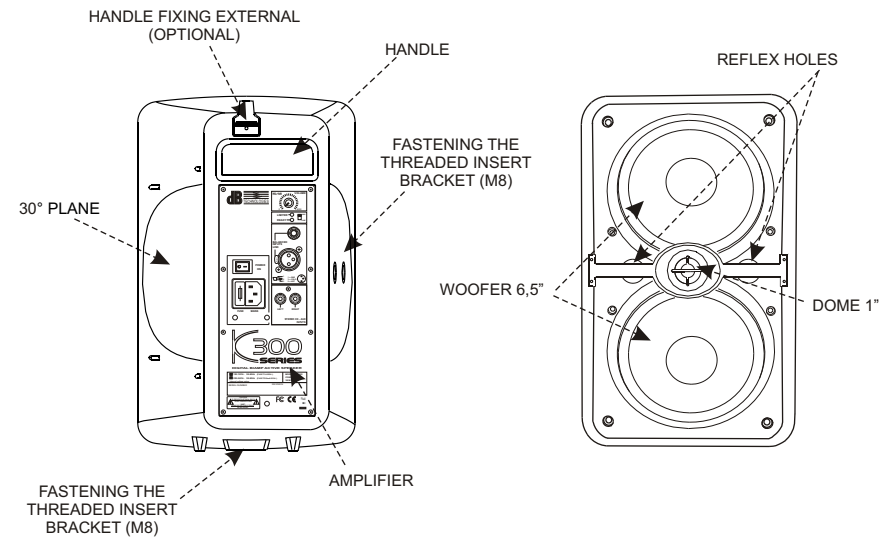
- 1) **"VOLUME" CONTROL**
The knob regulates the diffuser's volume.
This control does not affect the output "LINK" levels.
- 2) **"LIMITER" INDICATOR LIGHT**
The "LIMITER" indicator light comes on red during start (for a few seconds) and when the internal audio limiter engages. This avoids the amplifier's distortion and protects the loudspeakers against overloads.
- 3) **SENSITIVITY SWITCH**
Position the switch in LINE to use a line level source (0 dB) or MIC to use a microphone.
- 4) **"READY" INDICATOR LIGHT**
The "READY" indicator light comes on green to indicate that the amplifier is switched on and it is working properly.
- 5) **"BALANCED INPUTS LINK" CONNECTORS**
These balanced inputs can be used to connect balanced or unbalanced microphones or audio sources at line level (0dB) (eg. preamplifier, mixer, recorder, CD player, musical instrument, ...).
The balanced connector is connected in parallel and can be used to send the audio signal to other amplified speakers, recorders or supplementary amplifiers.
- 6) **"STEREO CD-AUX" INPUT CONNECTORS**
Through the RCA phono connectors, this input permits easy connection of CD, DAT, cassette players, etc....
- 7) **POWER SWITCH "POWER"**
This switch can be used to switch the diffuser on and off.
- 8) **FUSE CARRIER "FUSE"**
Mains fuse housing.
- 9) **POWER CABLE SOCKET "MAINS"**
Used for connecting the power cable supplied.

EMI CLASSIFICATION

According to the standards EN 55103 this equipment is designed and suitable to operate in E3 (or lower E2, E1) Electromagnetic environments.

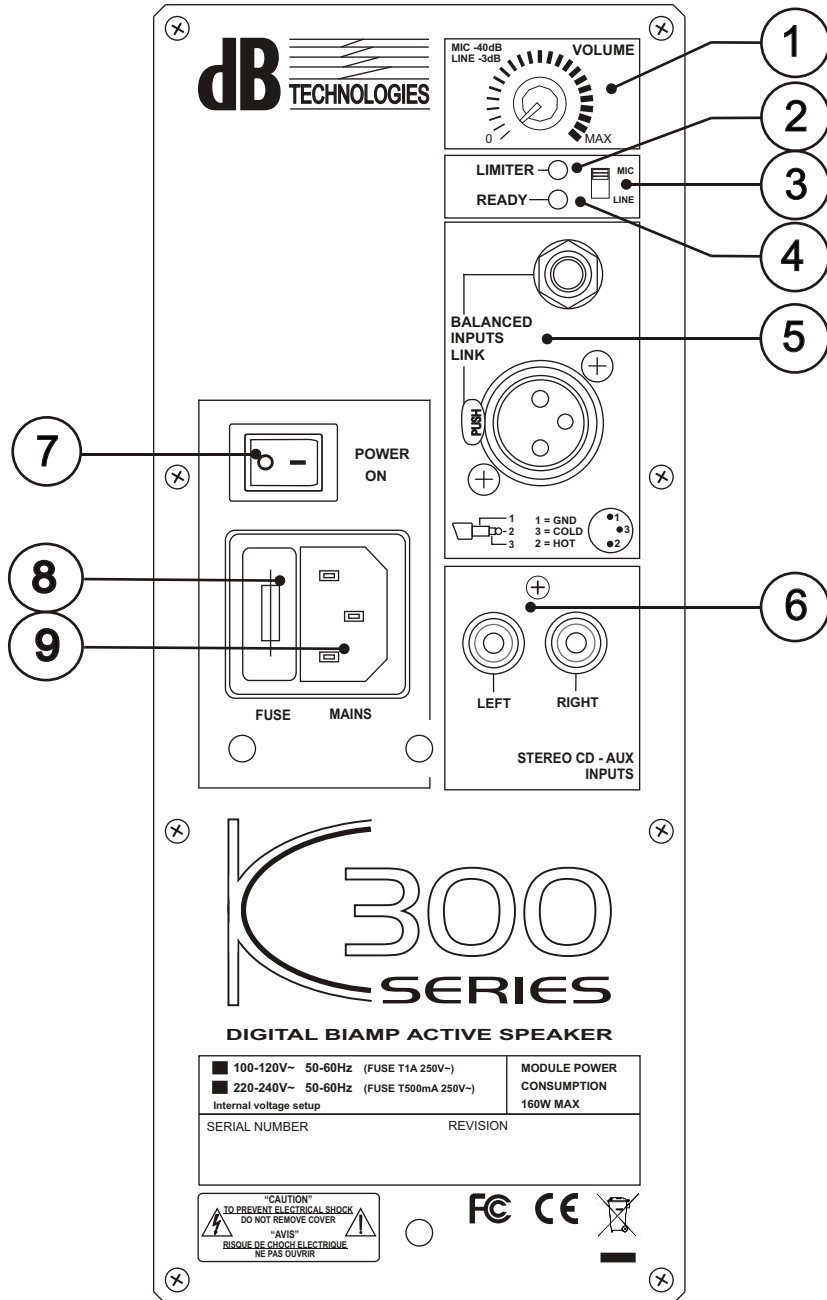
TECHNICAL SPECIFICATION

TECHNICAL FEATURES	K300
System	Active Bi-ampli
Amplifier type	class D
RMS power	80W (BF) + 40W (HF)
Frequency response	70 -19000Hz
Crossover	1650 Hz 24dB/oct.
Sound pressure (SPL)	113 dB max
Components	2x6,5" woofer - 1,5" voice coil Neodimio 1x1" driver - 1" voice coil Neodimio
Input sensitivity LINE/MIC	-40dBu / 0dBu (switch)
Impedance LINE/MIC	LINE/MIC
Balanced	30K /1K2
Unbalanced	15K /600
Input sensitivity RCA	-10dBu
Impedance RCA	22K
Power supply	110-120Vac 50-60Hz 220-240Vac 50-60Hz
Dimension (LxHxP)	210x350x270mm
Weight	5,5Kg

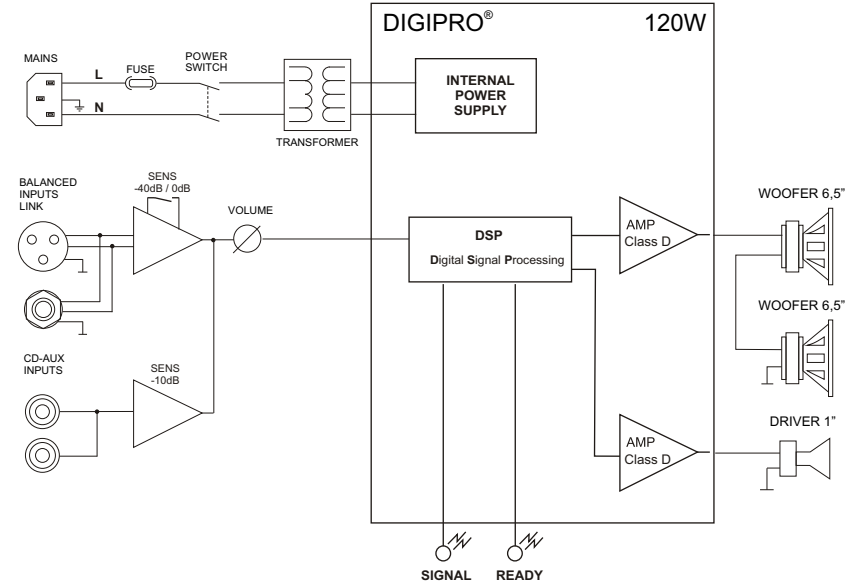
**SAFETY INSTRUCTIONS FOR ACCESSORIES**

Contact dB Technologies for accessories to be used with speakers.
Will not accept any responsibility when inappropriate accessories or not suitable additional devices are used.

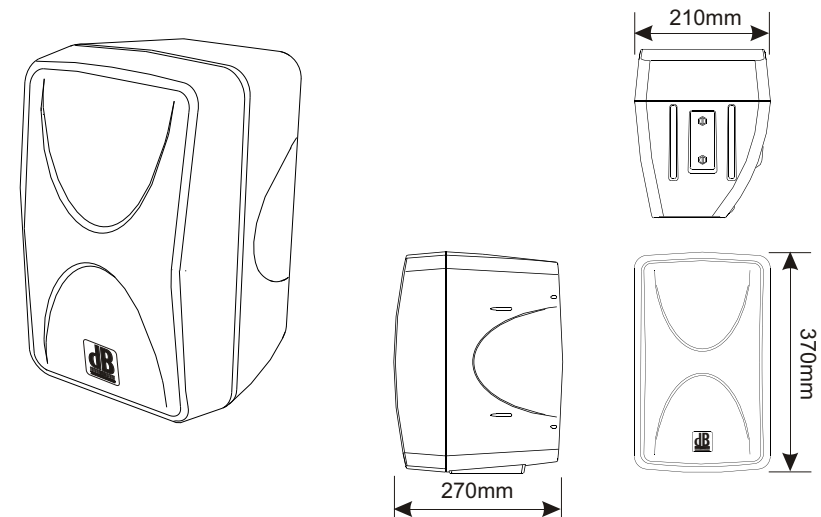
MODULO AMPLIFICATORE
 AMPLIFIER MODULE
 VERSTÄRKERMODUL
 MODULE AMPLIFICATEUR



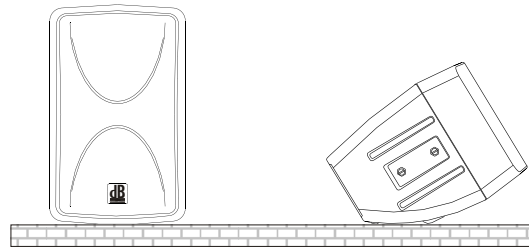
SCHEMA A BLOCCHI
 BLOCK DIAGRAM
 BLOCKSCHALTBIKD
 DIAGRAMA EM BLOQUES



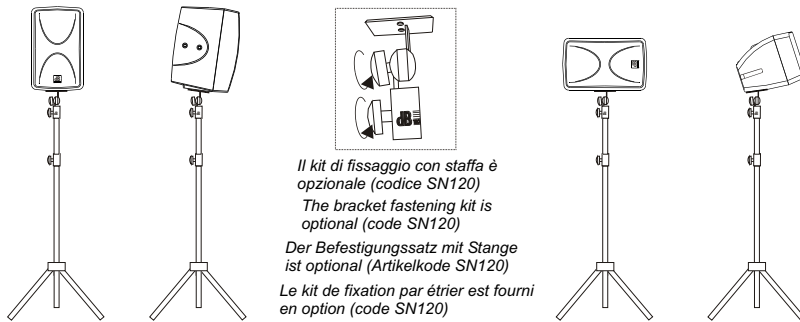
DIMENSIONI
 DIMENSION
 ABMESSUNGEN
 DIMENSIONS



UTILIZZI E INSTALLAZIONI
USES AND INSTALLATIONS
ANWENDUNGSBEREICHE UND INSTALLATIONEN
UTILISATIONS ET INSTALLATIONS



Utilizzo in appoggio
Supported use
Anwendung mit Aufstützung
Utilisation en appui

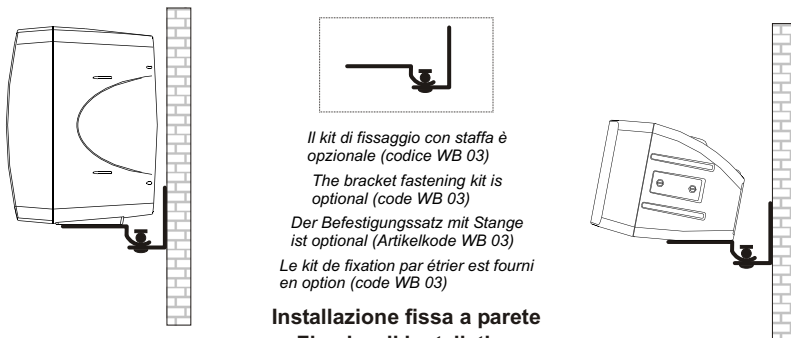


Il kit di fissaggio con staffa è opzionale (codice SN120)
The bracket fastening kit is optional (code SN120)

Der Befestigungssatz mit Stange ist optional (Artikelcode SN120)

Le kit de fixation par étrier est fourni en option (code SN120)

Utilizzo con supporto piantana
Use with pedestal stand
Anwendung mit Pedestaluntergestell
Utilisation sur pied



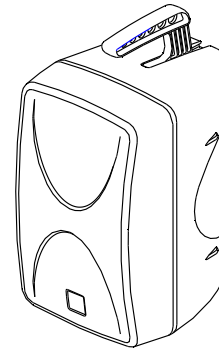
Il kit di fissaggio con staffa è opzionale (codice WB 03)
The bracket fastening kit is optional (code WB 03)

Der Befestigungssatz mit Stange ist optional (Artikelcode WB 03)

Le kit de fixation par étrier est fourni en option (code WB 03)

Installazione fissa a parete
Fixed wall installation
Anwendung mit fixer Wandbefestigung
Installation murale fixe

MANIGLIA PER DIFFUSORE AK50 (OPZIONALE)
SPEAKER HANDLE AK50 (OPTIONAL)
HANDGRIFF AK50 (OPTIONAL)
POIGNÉE AK50 (OPTION)



Kit completo
Complete kit



Maniglia
Handle



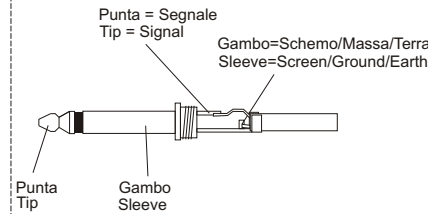
Gancio per maniglia
Handle hook



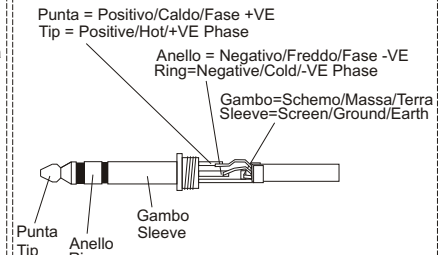
Vite 2,9x13mm
2,9x13mm screw

COLLEGAMENTI
CONNECTIONS
ANSCHLÜSSE
BRANCHEMENTS

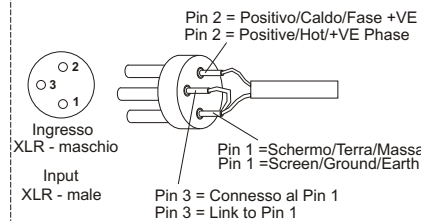
Funzionamento sbilanciato con connettore jack 1/4" (6,3mm)
Unbalanced use of stereo 1/4" jack plug



Funzionamento bilanciato con connettore jack 1/4" (6,3mm)
Balanced use of stereo 1/4" jack plug



Funzionamento sbilanciato con connettore XLR
Unbalanced use with XLR connectors



Funzionamento bilanciato con connettore XLR
Balanced use with XLR connectors

