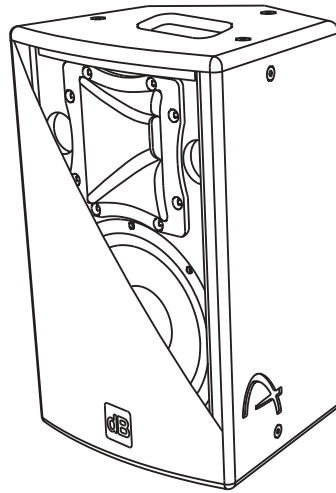
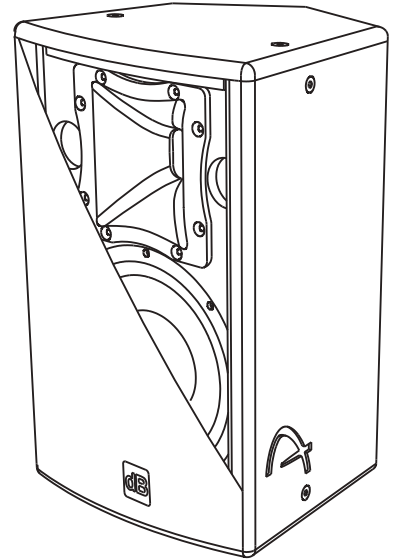


**ARENA** SERIES

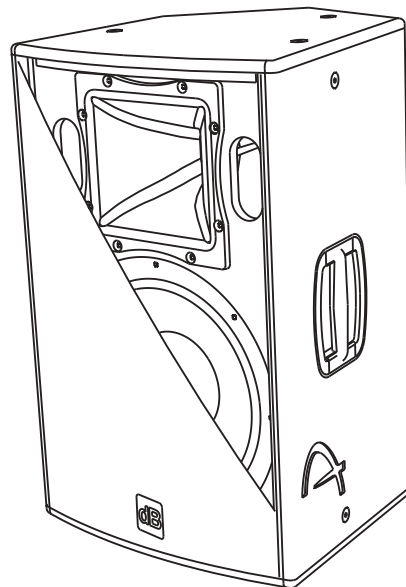
**PROFESSIONAL  
PASSIVE SPEAKER**



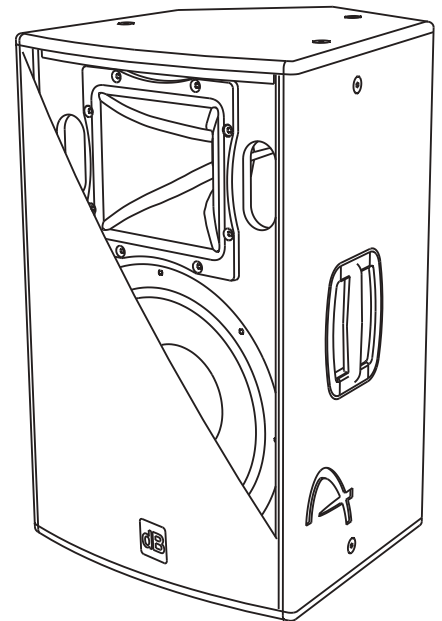
ARENA 8



ARENA 10



ARENA 12



ARENA 15

**MANUALE D'USO  
USER MANUAL  
BEDIENUNGSANLEITUNG  
CARACTERISTIQUES TECHNIQUES**



Manufactured in India under  
dB Technologies control

## SAFETY INSTRUCTIONS

- CAUTION:** TO REDUCE THE RISK OF ELECTRICAL SHOCK, DO NOT REMOVE THE COVER (OR BACK). NO USER SERVICEABLE PARTS INSIDE; REFER SERVICING TO QUALIFIED PERSONNEL.
- WARNING:** TO REDUCE THE RISK OF FIRE OR ELECTRICAL SHOCK. DO NOT EXPOSE THIS APPARATUS TO RAIN OR MOISTURE.



This symbol, wherever it appears, alerts you to the presence of uninsulated dangerous voltage inside the enclosure - voltage that may be sufficient to constitute a risk of shock.



This symbol wherever it appears, alerts you to important operating and maintenance instructions in the accompanying literature. Read the manual.

### DETAILED SAFETY INSTRUCTIONS:

#### *Read these instructions*

All the safety and operation instructions should be read before the apparatus is operated.

#### *Keep these instructions*

The safety and operating instructions should be retained for future reference.

#### *Heed all warnings*

All warnings on the apparatus and in the operating instructions should be adhered to

#### *Follow all instructions*

All operation and user instructions should be followed

#### *Water and moisture*

Do not use this apparatus near water (e.g. near a bathtub, washbowl, kitchen sink, laundry tub, in a wet basement, or near a swimming pool etc.) except expressly allowed

#### *Cleaning*

Clean only with a dry cloth. Do not use solvents, alcohol, benzene or volatile substances for cleaning the exterior parts.

#### *Heat*

Do not install the apparatus near any heat sources such as radiators, heat registers, stoves, or other apparatus (including amplifiers) that produce heat.

#### *Connection cable*

Protect the connection cable from being walked on or pinched.

#### *Accessories*

Only use attachments/accessories specified by the manufacturer.

#### *Carts and stands*

Use only with a cart, stand, tripod, bracket, or table specified by the manufacturer, or sold with the apparatus. When a cart is used, use caution when moving the cart/apparatus combination to avoid injury from tip-over.

#### *Object and Liquid Entry*

Care should be taken so that objects do not fall and liquids are not spilled into the enclosure through openings.

#### *Damage Requiring Service*

Refer all servicing to qualified service personnel. Servicing is required when:

- the apparatus has been damaged in any way;
- the liquid had been spilled or objects have fallen into the apparatus;
- the apparatus has been exposed to rain or moisture
- the apparatus does not operate normally or exhibits a marked change in performance;
- the apparatus had been dropped.

#### *Servicing*

The user should not attempt to service the apparatus beyond that is described in the Operating Instructions. All other servicing should be referred to qualified service personnel.



### IMPORTANT NOTES

This manual is to be considered an integral part of the product, and must always accompany the speaker when it changes ownership as a reference for correct installation and operation as well as for the safety regulations.

dB Technologies will not assume any responsibility for incorrect installation of the speaker.

**CAUTION**Installation

Make sure that the speaker is positioned in a stable and secure way in order to avoid any dangerous conditions for persons or objects.

**CAUTION**Connection

For connecting the speaker, use only qualified and experienced personnel having sufficient technical knowledge or specific instructions for making the connections correctly and thus preventing electrical dangers.

The entire sound system must be designed and installed in compliance with the current standards and regulations regarding electrical systems.

The loudspeakers must be wired properly in phase (be sure to observe the correct + / - polarities between amplifier and speaker) to give the correct sound reproduction, especially when the speakers are placed close to each other or in the same room.

The loudspeaker's connecting cable must have wires of adequate gauge (possibly intertwined to minimize the inductive effects caused by the coupling with electromagnetic fields) and proper insulation.

**CAUTION**Hearing loss

Excessively high sound levels may cause permanent hearing loss. The sound pressure levels that cause hearing loss vary significantly from one person to another and according to the duration of the exposure. To avoid potentially dangerous exposure to high sound pressure levels, adequate protection must be used by whoever is exposed to such pressure levels.

## DESCRIPTION

“ARENA” is a series of wooden two-way passive loudspeakers designed for medium to large sized rooms.

They are all made from birch wood and the various fixing clamps, the pole mount socket and the handles ensure easy installation and transport.

The loudspeakers can be placed on wall shelves or suspended through the fixing clamps placed above, under or on the side of the loudspeakers.

The lower part of the box has a standard pedestal support (D36mm).

The loudspeakers of the ARENA series feature passive crossover filters with a slope of 12dB/oct for the low-pass part, 18dB/oct for the high-pass and a self-resetting thermal protection circuit on the driver to prevent protracted overloading.

## CONNECTIONS



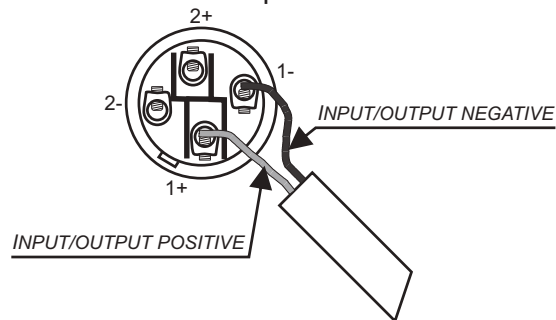
### WARNING

To avoid electric shocks, ensure that your amplifier is switched off when you plug in the loudspeaker. Before turning on the loudspeaker, be sure that the connections are correct to avoid short circuits or wrong connections.

The connection panel at the back of the loudspeaker features two 4 pole Speakon connectors: the first socket is the sound signal input socket and the second socket may function as an output terminal for the connection with another loudspeaker.

The connections are:

- 1+ for the positive signal
- 1- for the negative signal (ground)
- 2+ not connected
- 2- not connected



If you wish to send the amplified signal from one loudspeaker to the other, be sure that the nominal impedance resulting from the connection is never lower than the minimum impedance of the power amplifier. This is done to prevent overheating or, worse, damages to the amplifier.

The loudspeakers of the ARENA series have a nominal input impedance of 8 ohms and this must be taken into account when making the connections.

## ROTATING HORN

When used horizontally, the loudspeakers of the ARENA series allow to maintain the same coverage angle through a rotating horn.

Speakers are always supplied by the manufacturer with the horn driver positioned horizontal at 90°.

If you wish to change the coverage angle (FIG. 5):

- undo the fixing screws of the grille
- remove the front protective grille by slightly pressing on one side and taking the grille off the special slots
- undo the eight fixing screws of the horn
- rotate the horn in the desired position (the horn should never be removed from the loudspeaker)
- tighten the fixing screws of the horn
- put the grille back in the special side slots and tighten the screws of the grille.

## LOUDSPEAKER INSTALLATION



### WARNING

Make sure that the loudspeaker is securely installed in a stable position to avoid any injuries or damages to persons or property.

For safety reasons do not place one loudspeaker on top of another without proper fastening systems. Before hanging the loudspeaker check all the components for damages, deformations, missing or damaged parts that may compromise safety during installation.

If you use the loudspeakers outdoors avoid places that are exposed to bad weather.

The loudspeaker has the following mounting options:

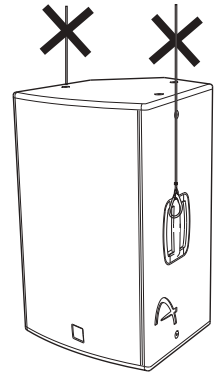
- bookshelf (FIG. 1)
- floor (monitor) (FIG.2)
- standmount (FIG.3)
- suspended with support rails or brackets supplied by the manufacturer (FIG.4)

The loudspeaker comes with 4 rubber feet positioned in the lower part of the box for vertical use. If placed on shelves it is possible to use the 4 feet (provided) that are mounted on the special clamps.



### WARNING

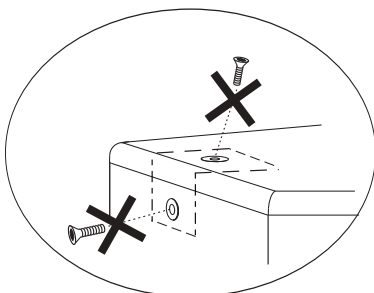
Never use the handles to hang the speaker!



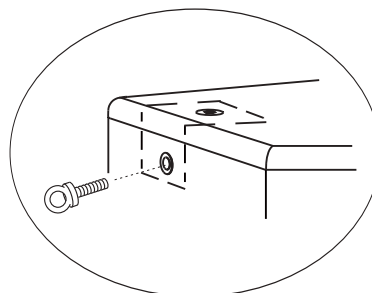
### WARNING

To hang the loudspeaker use only one screw for each hanging point

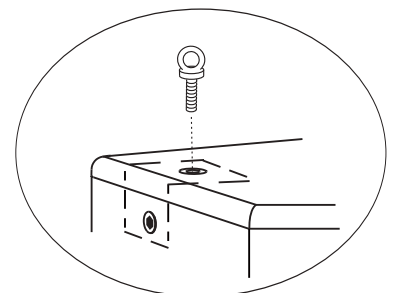
The hanging points are of 8MA in ARENA 8 and ARENA 10 or 10MA in ARENA 12 and ARENA 15



**WRONG!**



**EXACT!**

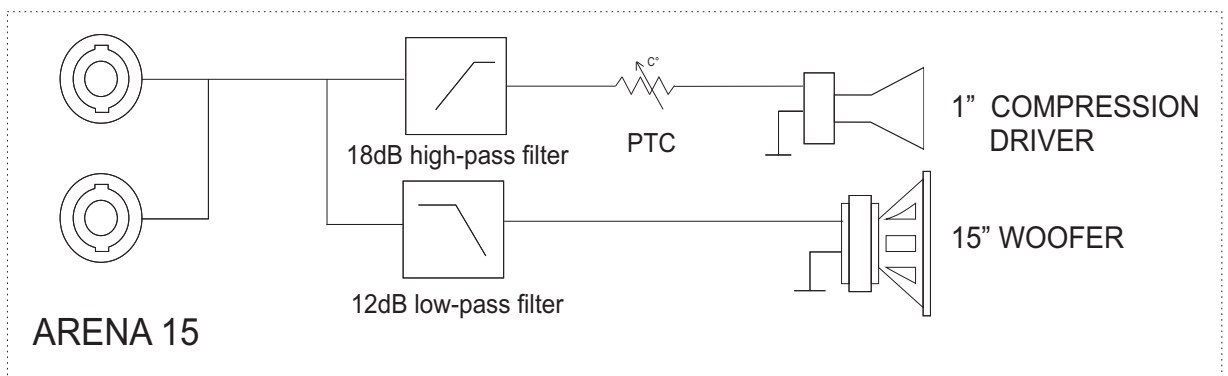
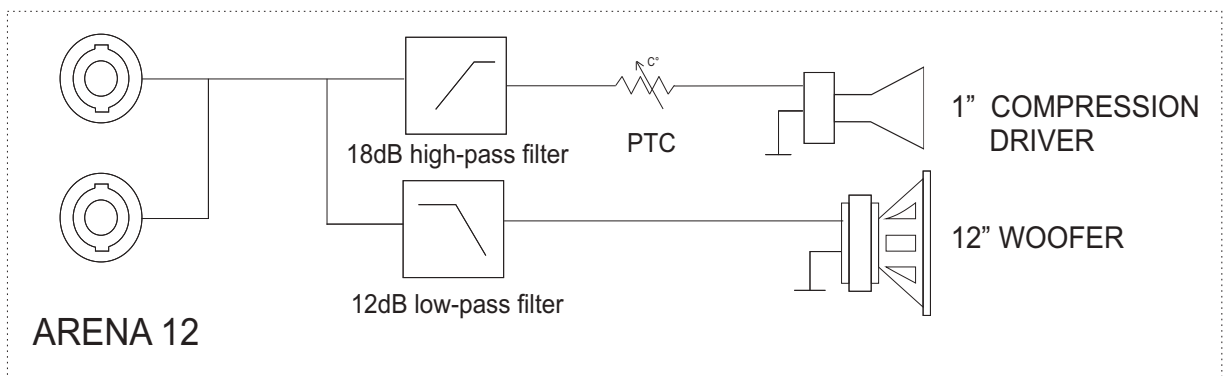
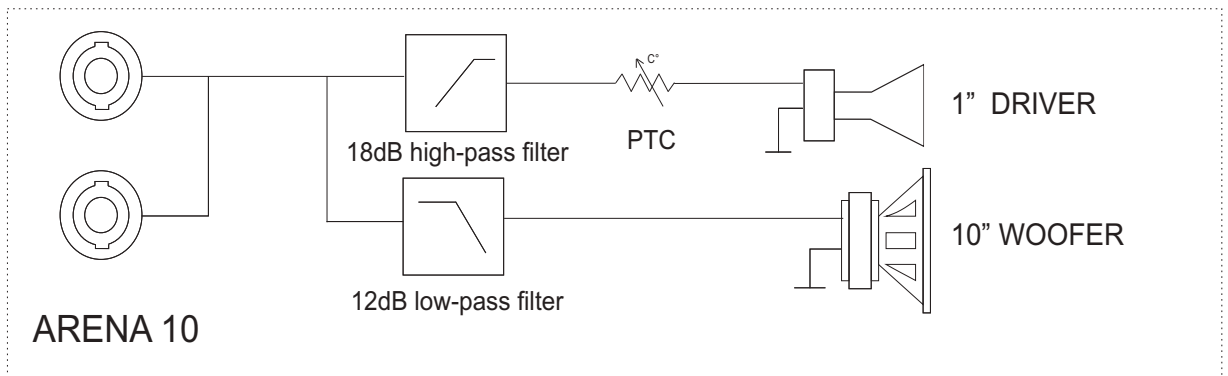
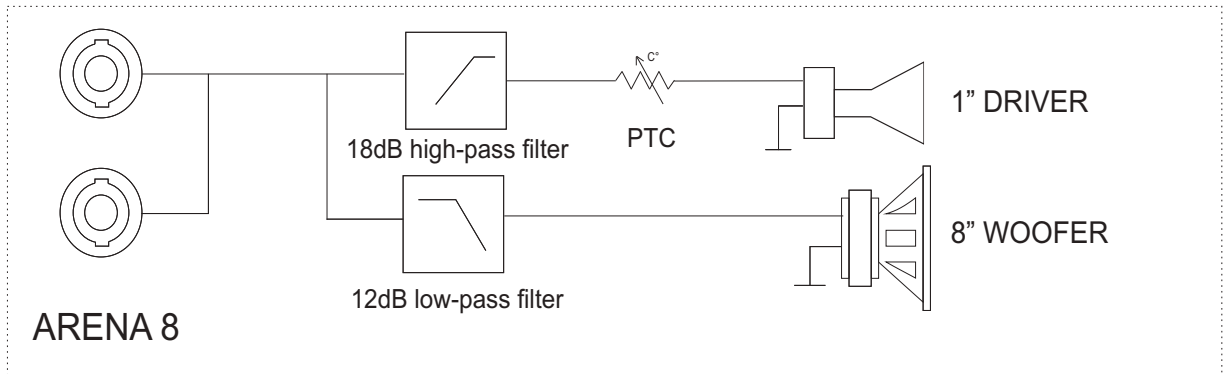


**EXACT!**

<b>TECHNICAL DATA</b>	<b>ARENA 8</b>	<b>ARENA 10</b>
SYSTEM	PASSIVE - 2 WAYS	PASSIVE - 2 WAYS
RMS POWER	200W	300W
PEAK POWER	400W	600W
FREQUENCY RESPONSE	100Hz-19000Hz (-3dB) 80Hz -19000Hz (-6dB)	95Hz-19000Hz (-3dB) 75Hz -19000Hz (-6dB)
CROSSOVER	2100Hz	2100Hz
SOUND PRESSURE (SPL)	122dB max	125dB max
IMPEDENCE	8 OHMS	8 OHMS
COMPONENTS	1x8" WOOFER 1,5" COIL 1x1" DRIVER	1x10" WOOFER 2" COIL 1x1" DRIVER
FILTER	18dB/oct HIGH PASS 12dB/oct LOW PASS	18dB/oct HIGH PASS 12dB/oct LOW PASS
DISPERSION	90°x70° (ROTARY)	90°x70° (ROTARY)
AUDIO CONNECTORS	2 x SPEAKON In parallel	2 x SPEAKON In parallel
DIMENSIONS (HxLxD)	270X458X270mm	321X508X320mm
WEIGHT	9,3Kg	12,2Kg
FLYING SUPPORT	8MA x 12 POINTS	8MA x 10 POINTS
STANDARD STAND STIRRUP	D36mm	D36mm
HANDLE	1 (high side)	1 (back side)

<b>TECHNICAL DATA</b>	<b>ARENA 12</b>	<b>ARENA 15</b>
SYSTEM	PASSIVE - 2 WAYS	PASSIVE - 2 WAYS
RMS POWER	400W	400W
PEAK POWER	800W	800W
FREQUENCY RESPONSE	80Hz-19000Hz (-3dB) 70Hz -19000Hz (-6dB)	80Hz-19000Hz (-3dB) 70Hz -19000Hz (-6dB)
CROSSOVER	2000Hz	2000Hz
SOUND PRESSURE (SPL)	127dB max	129dB max
IMPEDENCE	8 OHMS	8 OHMS
COMPONENTS	1x12" WOOFER 2" COIL 1 COMPRESSION DRIVER 1,4" exit voice 1" coil	1x15" WOOFER 2.5" COIL 1 COMPRESSION DRIVER 1,4" exit-voice 1" coil
FILTER	18dB/oct HIGH PASS 12dB/oct LOW PASS	18dB/oct HIGH PASS 12dB/oct LOW PASS
DISPERSION	90°x40° (ROTARY)	90°x40° (ROTARY)
AUDIO CONNECTORS	2 x SPEAKON In parallel	2 x SPEAKON In parallel
DIMENSIONS	379X631X378mm	458X710X453mm
WEIGHT	17,8Kg	23,7Kg
FLYING SUPPORT	10MA x 12 POINTS	10MA x 12 POINTS
STANDARD STAND STIRRUP	D36mm	D36mm
HANDLE	2 (one for side)	2 (one for side)

SCHEMA A BLOCCHI - BLOCK DIAGRAM  
 BLOCKSCHALTBIID - SCHEMAS FONCTIONNELS



UTILIZZO IN APPOGGIO  
SUPPORTED USE  
ANWENDUNG  
UTILISATION EN APPUI

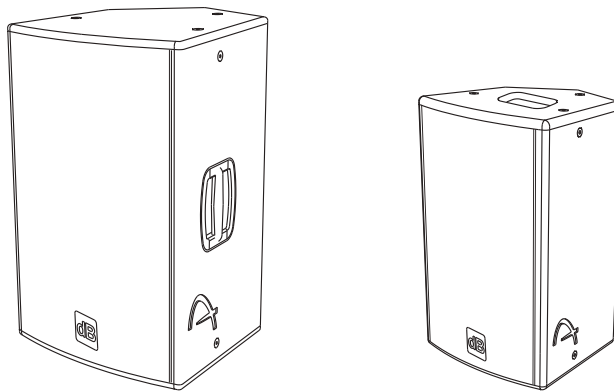
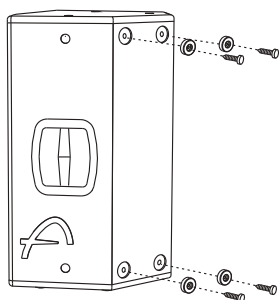
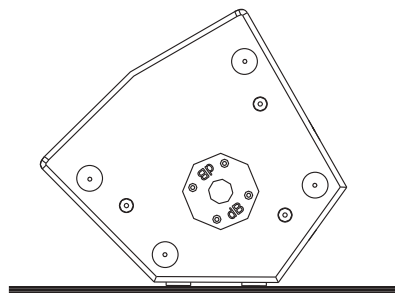
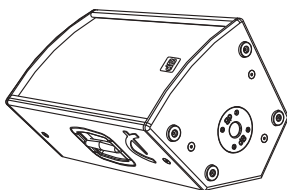


Fig. 1

UTILIZZO A PAVIMENTO (MONITOR)  
FLOOR USES (MONITOR)  
VERWENDUNG AUF DEM BODEN (MONITOR)  
UTILISATION AU SOL (ÉCRAN)



**Nota:** E' possibile montare 4 piedi in gomma sul fianco per utilizzo in appoggio (in dotazione)

**Note:** It is possible to mount 4 rubber feet on the side for bookshelf use (provided)

**Anmerkung:** Es ist möglich, 4 Gummifuße auf die Seite für die Verwendung mit Stutze zu montieren (die Füße werden von der Baufirma geliefert)

**Note:** Il est possible de monter quatre pieds caoutchouc sur le coté pour une utilisation en appui (en dotation)

Fig. 2

SUPPORTO PIANTANA STANDARD (D36M)  
STANDARD STAND (D36MM)  
STANDARD-HOCHSTÄNDERHÜLSEN (D36MM)  
SUPPORT STANDARD (D36MM)

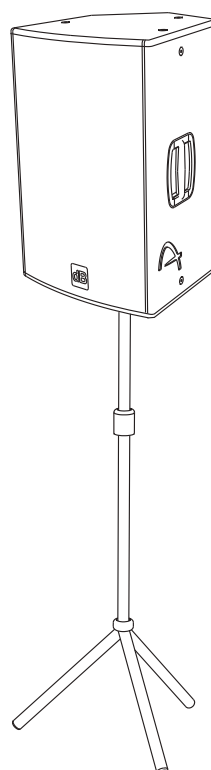
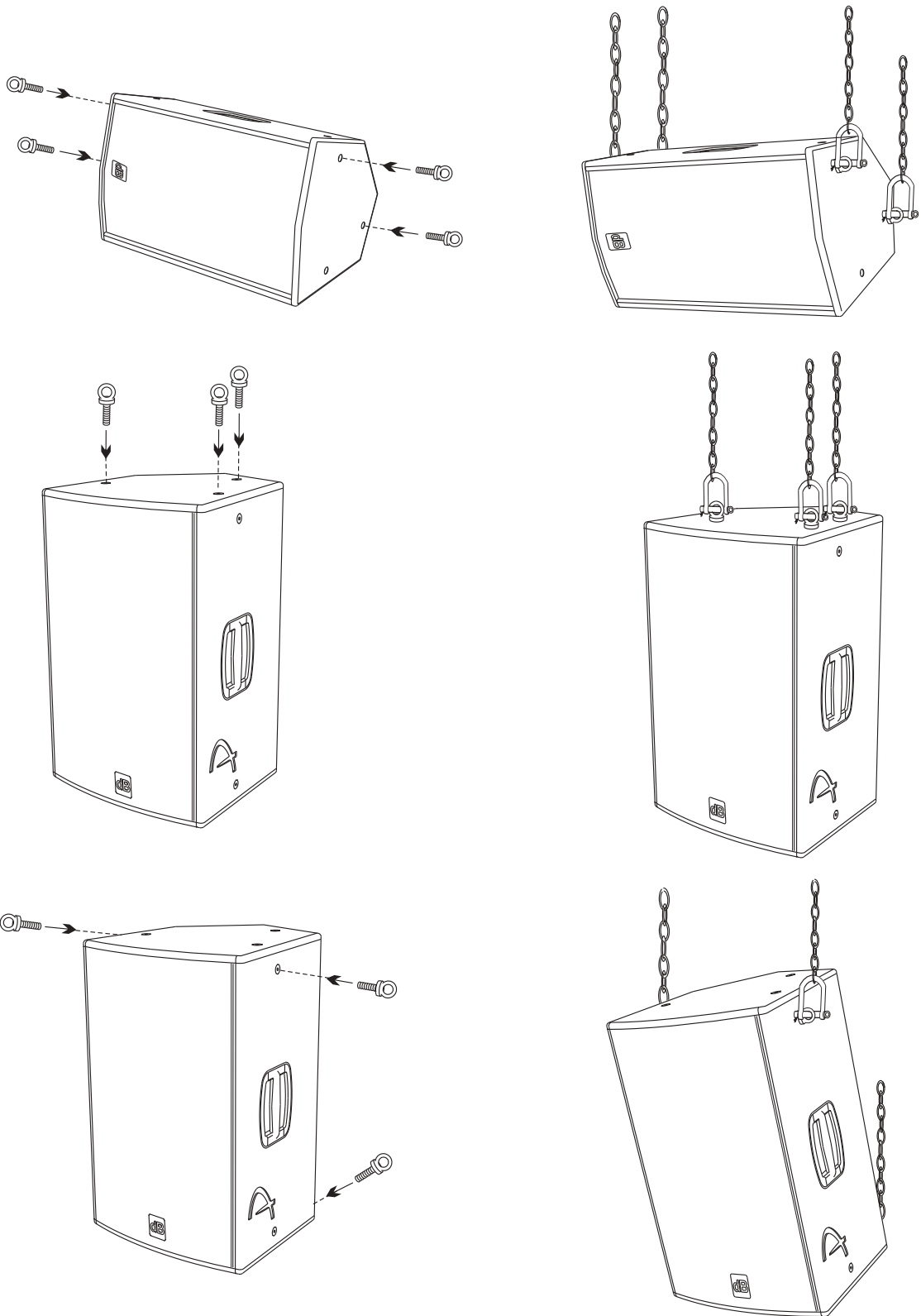


FIG. 3



APPENDIBILE CON GOLFARE  
SUSPENDABLE WITH EYEBOLTS  
MAN KANN DEN LAUTSPRECHER MIT RINGSCHRAUBEN HANGEN  
POSSIBILITÉ DE SUSPENSION AVEC ANNEAUX

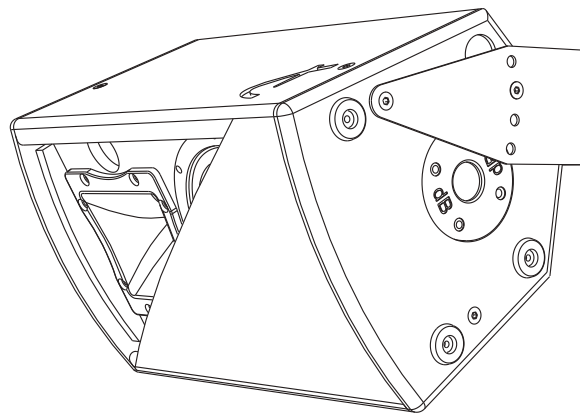
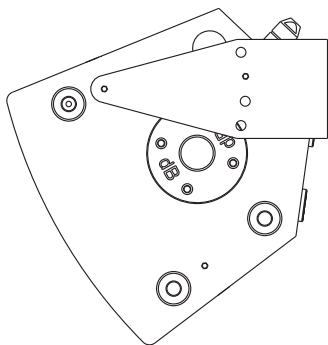


Opzione codice/Optional code:  
TE M8 per ARENA 8 e ARENA 10  
TE M10 per ARENA 12 e ARENA 15  
*Il codice include solo i golfari.*  
*The code including eyebolts only.*

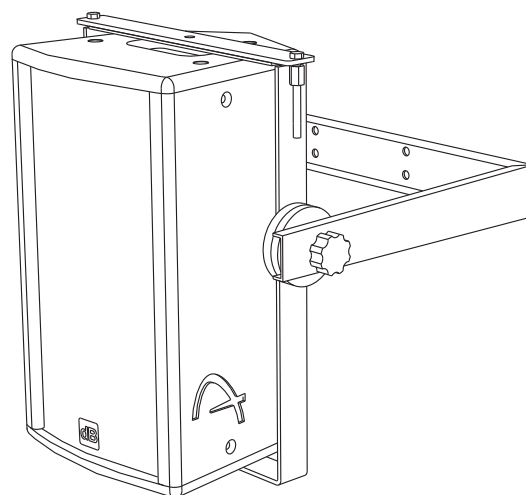
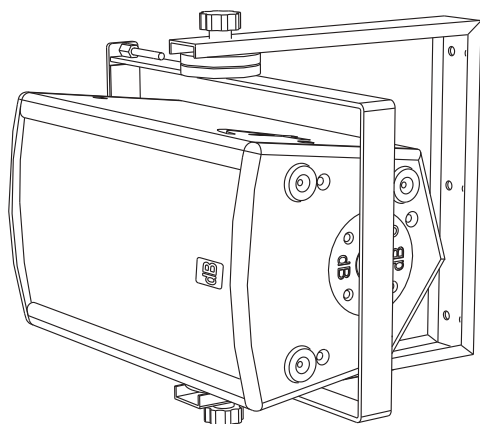
APPENDIBILE CON STAFFE  
SUSPENDABLE WITH BRACKETS  
MAN KANN DEN LAUTSPRECHER MIT HALTEWINKEL  
POSSIBILITÉ DE SUSPENSION AVEC BRAS

Opzione codice / Optional code:

WB A08 for ARENA 8  
WB A10 for ARENA 10  
WB A12 for ARENA 12  
WB A15 for ARENA 15



APPENDIBILE CON STAFFE  
SUSPENDABLE WITH BRACKETS  
MAN KANN DEN LAUTSPRECHER MIT HALTEWINKEL  
POSSIBILITÉ DE SUSPENSION AVEC BRAS



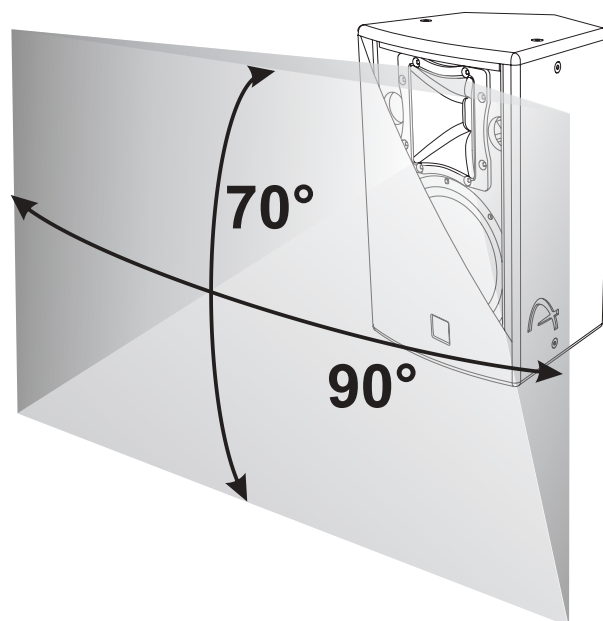
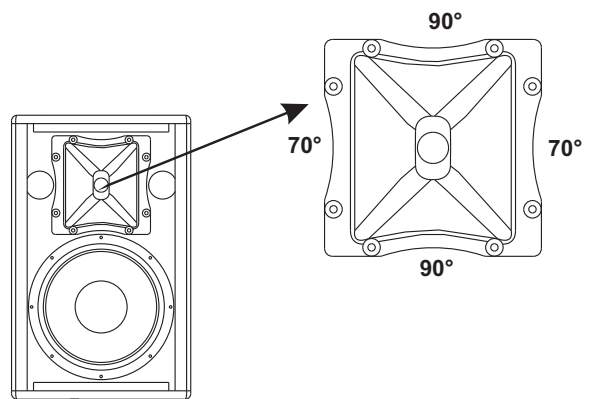
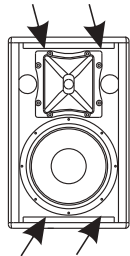
Opzione codice/ Optional code

WB A810 per ARENA 8 e ARENA 10.

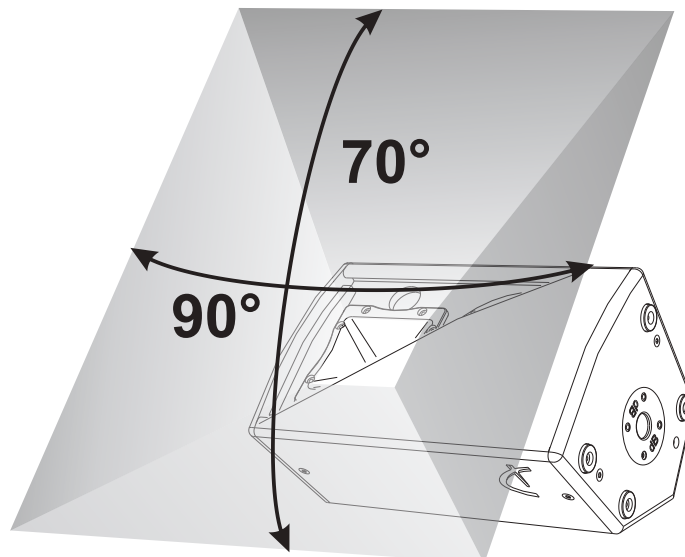
FIG. 4

**ARENA 8 e ARENA 10**

Posizione viti rete  
Screws grille position



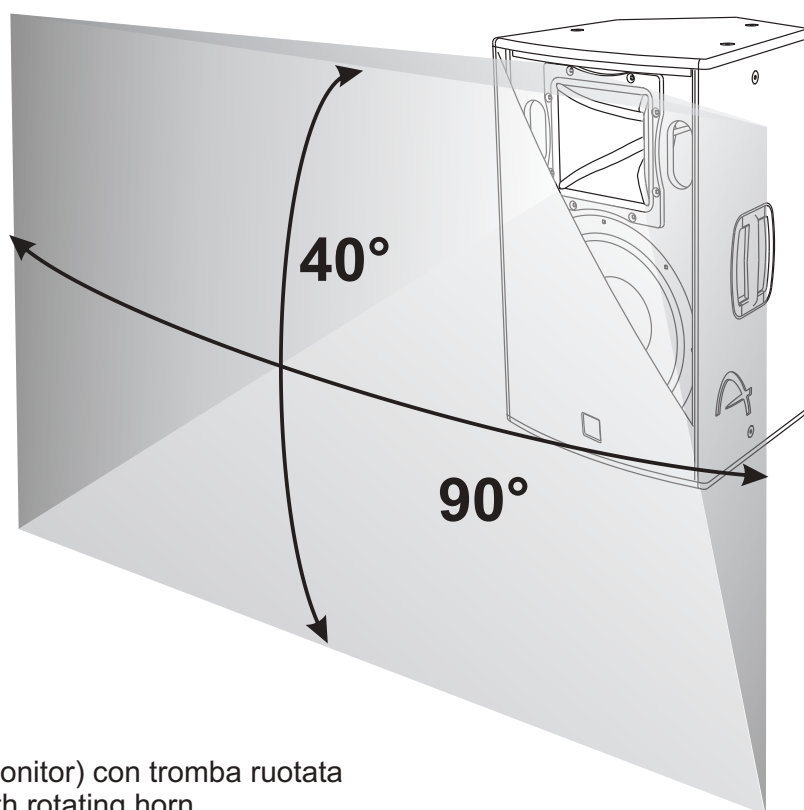
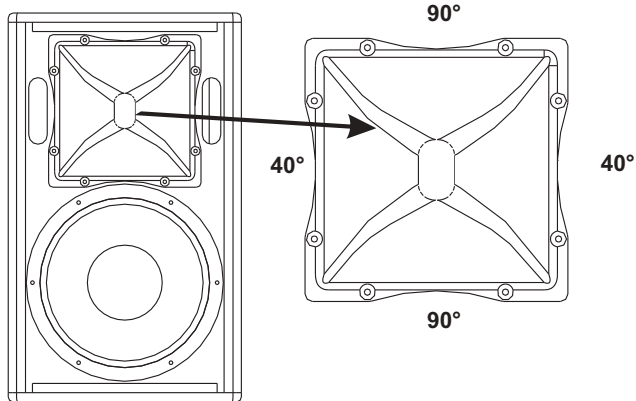
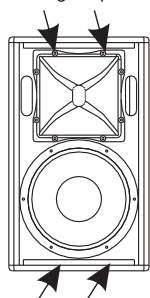
Utilizzo a pavimento (monitor) con tromba ruotata  
Floor uses (monitor) with rotating horn.  
Verwendung auf dem Boden (monitor) mit gedrehtem Horn.  
Utilisation au sol (écran) avec cône tourné



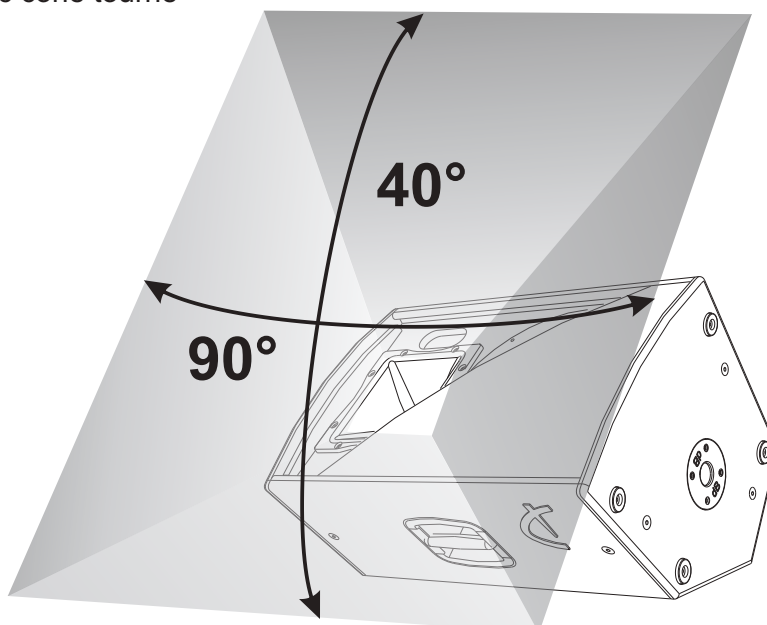
**FIG. 5**

**ARENA 12 e ARENA 15**

Posizione viti rete  
Screws grille position



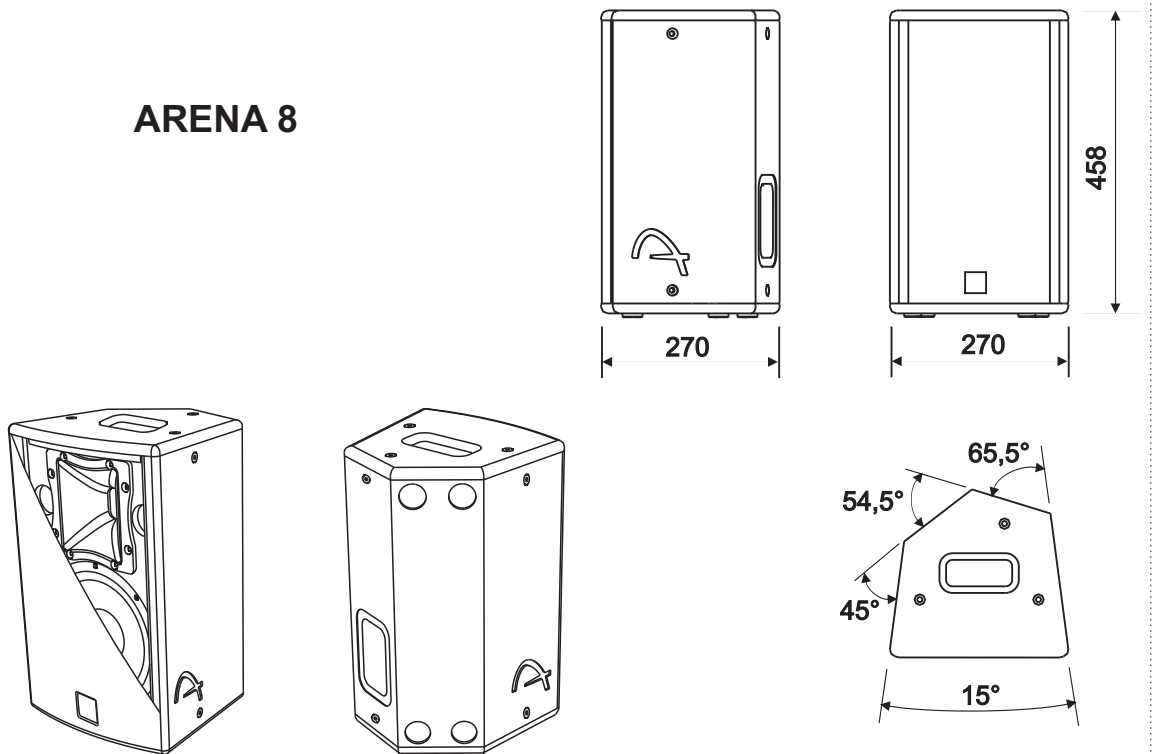
Utilizzo a pavimento (monitor) con tromba ruotata  
 Floor uses (monitor) with rotating horn.  
 Verwendung auf dem Boden (monitor) mit gedrehtem Horn.  
 Utilisation au sol (écran) avec cône tourné



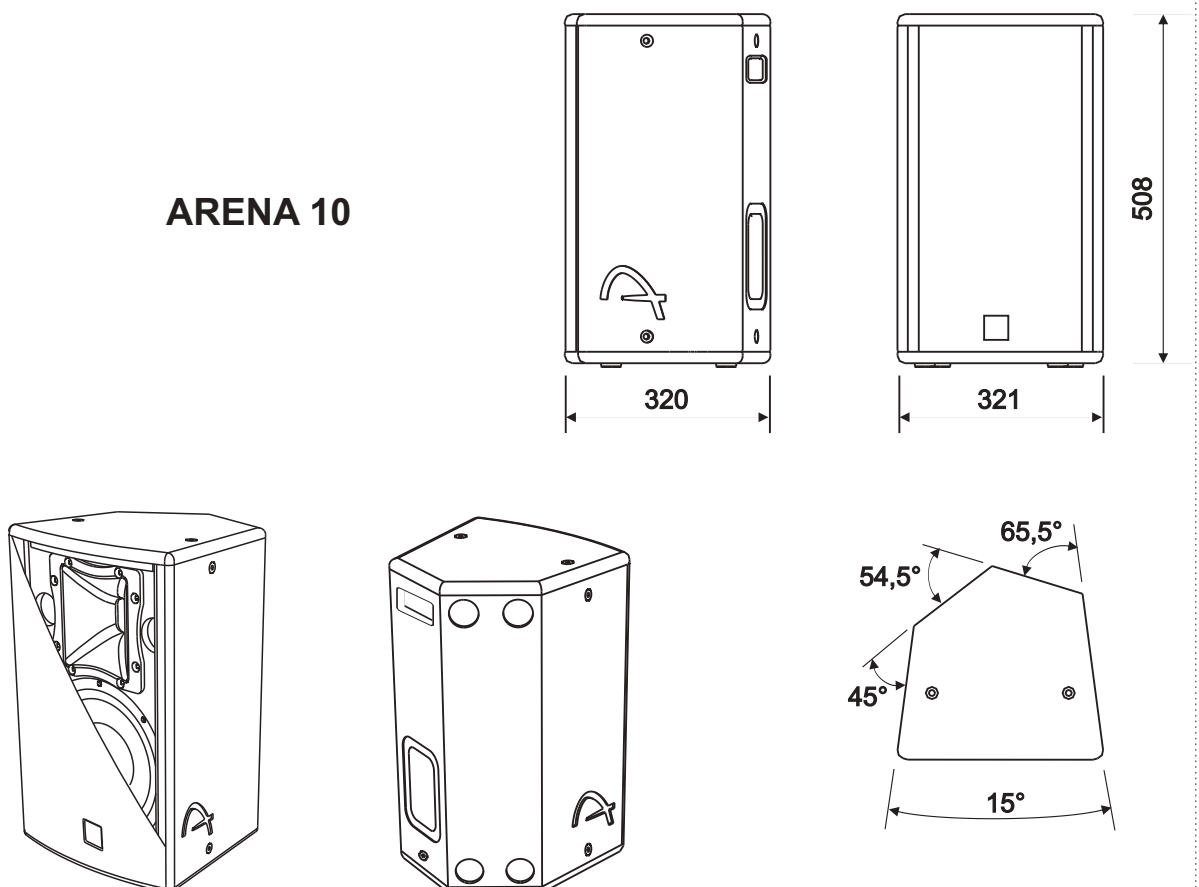
**FIG. 5**

DIMENSIONI / DIMENSIONS  
ABMESSUNGEN / DIMENSIONS

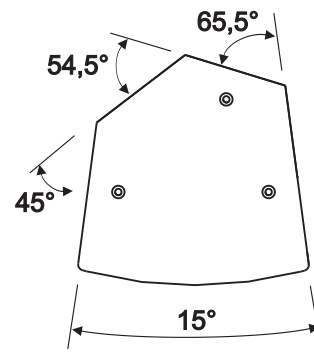
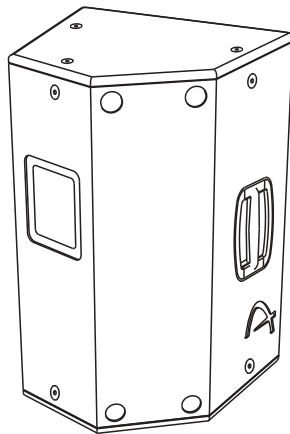
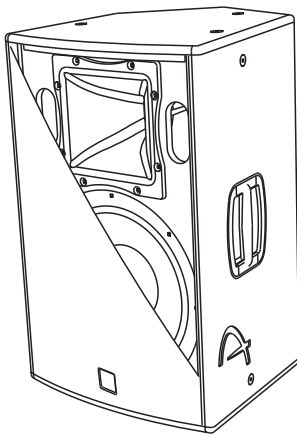
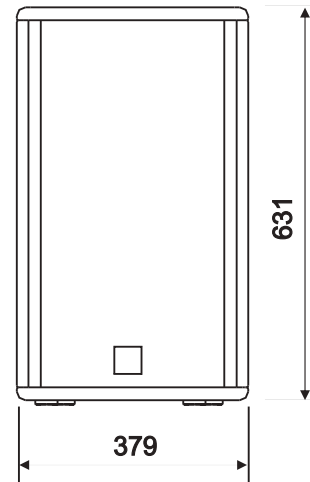
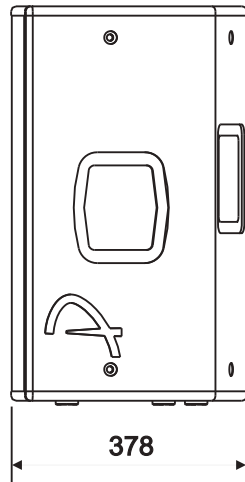
**ARENA 8**



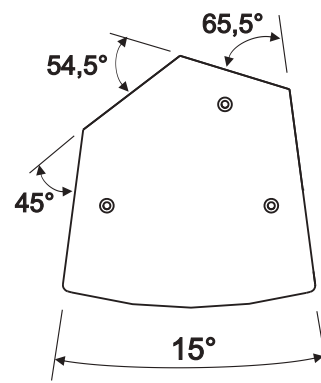
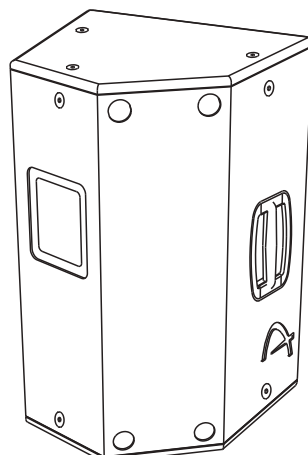
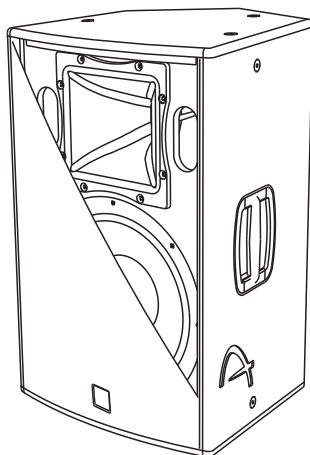
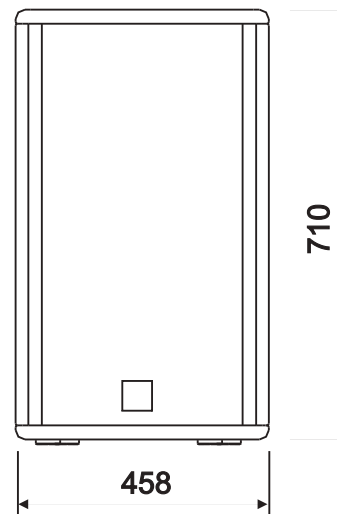
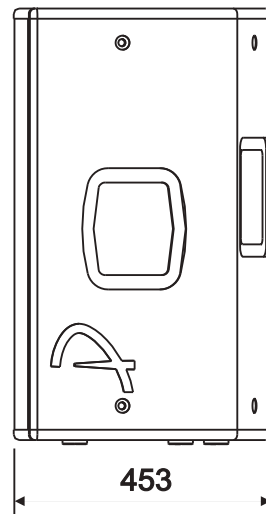
**ARENA 10**



## ARENA 12



## ARENA 15





**A.E.B. INDUSTRIALE s.r.l.**

Via Brodolini, 8 - 40056 Crespellano (Bo) - ITALIA

Tel. + 39 051 969870 - Fax. + 39 051 969725

Internet: [www.dbtechnologies.com](http://www.dbtechnologies.com)

E-mail: [info@dbtechnologies-aeb.com](mailto:info@dbtechnologies-aeb.com)