

ARENA PRO



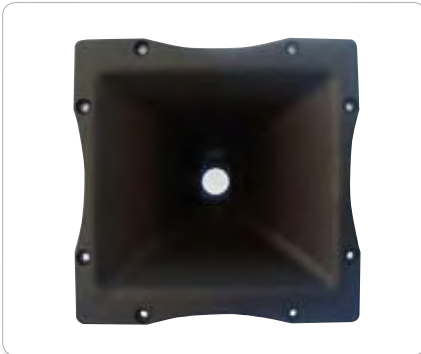
Passive speakers

ARENA PRO Serie

The ARENA PRO series is a line of passive speaker cabinets comprising four high-quality two-way enclosures loaded with 1" and 1.4" compression drivers, as well as two high-performance subwoofers. Equipped with an extensive feature set, these enclosures are well-suited for diverse mobile applications and fixed installations. All mid-/high-range units come in a multifunctional multiplex housing equipped with a pole mount, a slanted rear panel enabling convenient monitoring, and up to twelve professional-grade M8 or M10 rigging points.

Loaded with high-quality speakers made of Premium RCF® components and ND series neodymium compression drivers, all models are engineered to handle considerable loads, deliver high sound pressure levels, and satisfy professional demands. They also sport aluminum CD (constant directivity) high-frequency horns designed especially for this line. Shaped symmetrically to enable 90° rotation, these horns are adjustable, easily aligned to suit the given sound reinforcement situation.

Remarkably light and equipped with ergonomic grips handles, these cabinets are easily handled. Coated with robust black textured paint, all models also sport a rugged grille backed with acoustic foam rubber.



Versatile and robust

- ▶ High-quality multifunctional housings made of multiplex coated with a rugged black textured finish
- ▶ Professional-grade M8/M10 threaded rigging points
- ▶ Professional Speakon connectors, Parallel Output included
- ▶ Protective cover included (ARENA 8/10/12/15 PRO)
- ▶ Subwoofer's threaded M20 base ready to accept a pole mount

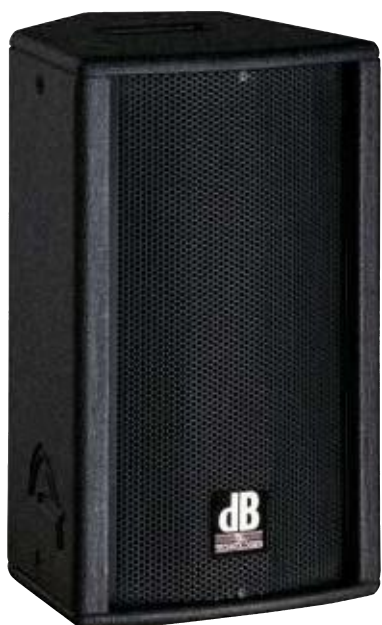
High-quality RCF® speaker components

- ▶ Rotatable high-frequency, wide-dispersion horns painstakingly engineered for excellent directivity and made of aluminum to keep drivers cool
- ▶ RCF PRECISION woofer with double voice coils (excepting the 8" model) for highest load-handling and minimum power compression; the SW 18 PRO also features a neodymium magnet
- ▶ RCF PRECISION neodymium high-frequency Direct Drive driver and high-quality tweeter cones made of Mylar or titanium
- ▶ High-quality passive voice crossovers featuring PTC tweeter protection
- ▶ With Dynamic Horn Processing DHP™ Bi-Amp performance of Arena 12 and 15 PRO is achieved with only one amplifier channel. This reduces costs, rackspace and controlling.

Easy mounting and transport

- ▶ Professional accessories optionally available
- ▶ Subwoofer ready to accept professional-grade casters

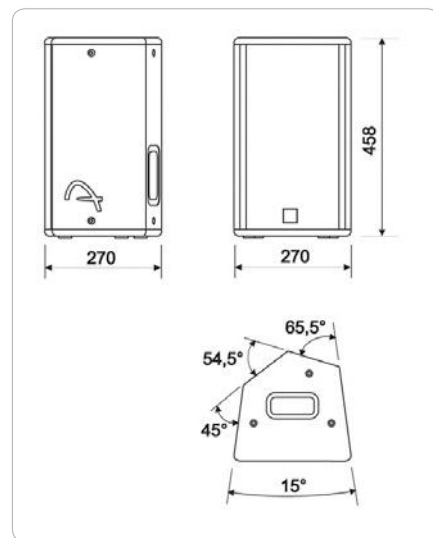
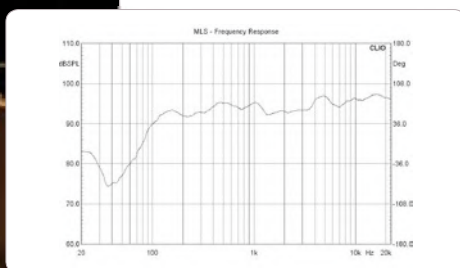
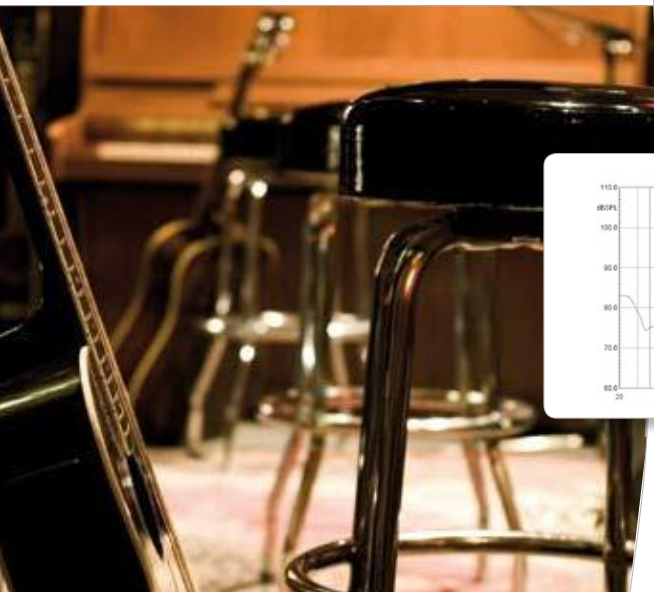
ARENA 8 PRO 8"/1" two-way loudspeaker



The ARENA 8 PRO is an exceedingly compact yet surprisingly powerful speaker designed to render speech and background and other music. Loaded with a high-quality 8" RCF woofer and a 1" RCF neodymium compression driver with a rotatable aluminum 90° x 70° CD horn, it is very articulate, providing great speech intelligibility despite its compact dimensions and light weight of just 10.9 kg.

This enclosure is rated for 300 watts RMS nominal power-handling capacity, 125 dB maximum SPL, and 8 ohms impedance. Two Speakon connectors are available, one of which may be used as a parallel output.

Made of multiplex coated with a robust black textured finish, the multifunctional housing is equipped with a grip on the top panel, a pole mount, and 12 M8 rigging points. A stable metal grille backed with laminated acoustic foam rubber protects the speakers.



ARENA 8 PRO Technical data

► Audio data

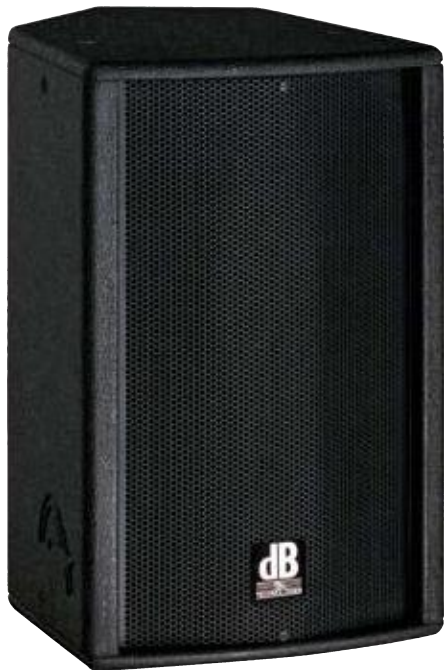
Power handling (nominal)*:	300 W RMS
Power handling (program):	600 W
Power handling (peak):	900 W
Impedance:	8 ohms
Sensitivity 1W@1m:	94 dB
Max SPL:	125 dB
Frequency response -10 dB:	75 Hz - 20 kHz
Frequency response +3 dB:	100 Hz - 19 kHz
Low/mid woofer:	8" RCF, 2" voice coil
High frequency driver:	1" RCF neodymium compression driver, 1.5" voice coil
High frequency protection:	PTC
Horn:	90° x 70°, rotatable aluminum horn
Crossover frequency:	1800 Hz, 18 dB/octave

► Hardware

Enclosure:	Multiplex, structured black paint
Handles:	One top-mounted grip
Pole mount:	36 mm
Angles up:	45° for monitor applications
Grille:	Metal backed with acoustic foam rubber
Connectors:	Two Speakon NL 4s, pin 1+ = +, 1- = -
Rigging points:	Twelve M8 threaded shafts
Dimensions (W x H x D):	270 x 458 x 270 mm, 10.63" x 18" x 10.63"
Weight:	10.9 kg, 23.98 lbs
Optional accessories:	WB A810 pivoting wall mount bracket WB A08 U wall mount TE M8 eyebolt set

* RMS when operated in the range of 20Hz to 20kHz; pink noise spectrum; peak power handling measured over two hours with a +6 dB crest factor

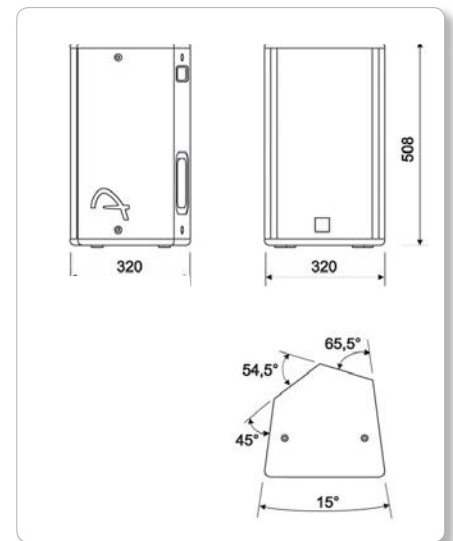
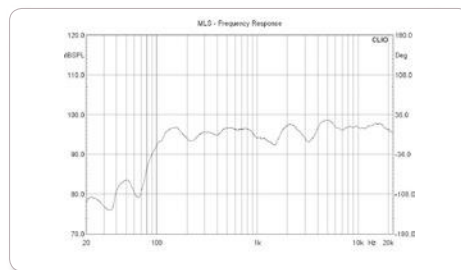
ARENA 10 PRO 10"/1" two-way loudspeaker



The ARENA 10 PRO is a highly versatile, inconspicuous two-way speaker cabinet well-suited for use in speech reinforcement applications where quality matters, and for fullrange applications requiring lower-level bass response. Employed as a compact floor monitor, it provides dynamic and precise voice reinforcement with considerable sound pressure.

Loaded with a high-quality 10" RCF woofer and a 1" RCF neodymium compression driver with a rotatable aluminum 90° x 70° CD horn, it is easily aligned to suit the given sound reinforcement situation. This enclosure is rated for 300 watts RMS nominal power-handling capacity, 127 dB maximum SPL, and 8 ohms impedance. Two Speakon connectors are available, one of which may be used as a parallel output.

Weighing just 14.2 kg, the multiplex enclosure is equipped with ten M8 rigging points for easy, fast installation. A stable metal grille backed with laminated acoustic foam rubber protects the speakers. The Arena SW15 PRO subwoofer is an excellent choice if you wish to supplement this enclosure's low-end response.



ARENA 10 PRO Technical data

► Audio data

Power handling (nominal)*:	300 W RMS
Power handling (program):	600 W
Power handling (peak):	900 W
Impedance:	8 ohms
Sensitivity 1W@1m:	96 dB
Max SPL:	127 dB
Frequency response -10 dB:	70 Hz - 20 kHz
Frequency response +3 dB:	90 Hz - 19 kHz
Low/mid woofer:	10" RCF, 2" voice coil
High frequency driver:	1" RCF neodymium compression driver, 1.5" voice coil
High frequency protection:	PTC
Horn:	90° x 70°, rotatable aluminum horn
Crossover frequency:	1800 Hz, 18 dB/octave

► Hardware

Enclosure:	Multiplex, structured black paint
Handles:	One rear-mounted grip
Pole mount:	36 mm
Angles up:	45° for monitor applications
Grille:	Metal backed with acoustic foam rubber
Connectors:	Two Speakon NL 4s, pin 1+ = +, 1- = -
Rigging points:	Ten M8 threaded shafts
Dimensions (W x H x D):	320 x 508 x 320 mm 12.63" x 20" x 12.6"
Weight:	14.2 kg, 31.24 lbs
Optional accessories:	WB A810 pivoting wall mount bracket WB A10 U wall mount TE M8 eyebolt set

* RMS when operated in the range of 20Hz to 20kHz; pink noise spectrum; peak power handling measured over two hours with a +6 dB crest factor

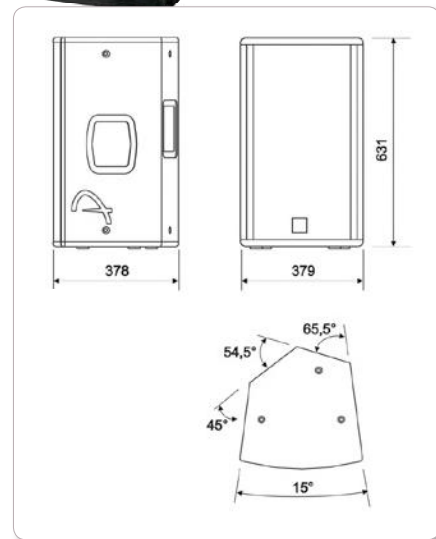
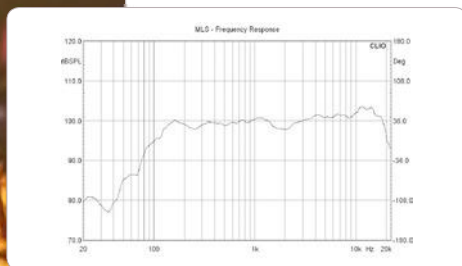
ARENA 12 PRO 12"/1.4" two-way loudspeaker



The ARENA 12 PRO is a high-performance, two-way loudspeaker loaded with a premium-quality 12" woofer and 1.4" HF driver - excellent components enabling versatile deployment for professional applications. The enclosure excels at rendering live signals, courtesy of its outstanding dynamic response and very high sound pressure levels. The painstakingly tuned 1.4" driver accurately renders even the finest nuances of instruments and voices with great detail, definition, and amazingly true response, making this your first-choice stage monitor.

Loaded with a powerful 12" RCF woofer and a 1.4" RCF neodymium compression driver, its rotatable aluminum 90° x 40° CD horn may be aligned to suit the sound reinforcement scenario. The enclosure's power handling capacity is 500 watts RMS, its maximum SPL is 133 dB at 1W@1m, and its impedance is 8 ohms. Two Speakon connectors are available, one of which may be used as a parallel output. Weighing 22.1 kg, the multiplex enclosure is equipped with twelve M10 rigging points for easy, fast installation. A stable metal grille backed with laminated acoustic foam rubber protects the speakers.

Paired with an ARENA SW18 PRO subwoofer, this enclosure displays all its ample audio powers, including finely contoured low-mids with accurate low-frequency differentiation as well as punchy yet clear midrange and top end for medium-to-long-throw applications.



ARENA 12 PRO Technical data

► Audio data

Power handling (nominal)*:	500 W RMS
Power handling (program):	1000 W
Power handling (peak):	1500 W
Impedance:	8 ohms
Sensitivity 1W@1m:	100 dB
Max SPL:	133 dB
Frequency response -10 dB:	60 Hz - 20 kHz
Frequency response +3 dB:	90 Hz - 19 kHz
Low/mid woofer:	12" RCF, 3" voice coil
High frequency driver:	1.4" RCF neodymium compression driver, 2.5" voice coil
High frequency protection:	PTC
Horn:	90° x 40°, rotatable aluminum horn
Crossover frequency:	1400 Hz, 18 dB/octave

► Hardware

Enclosure:	Multiplex, structured black paint
Handles:	Two side grips
Pole mount:	36 mm
Angles up:	45° for monitor applications
Grille:	Metal backed with acoustic foam rubber
Connectors:	Two Speakon NL 4s, pin 1+ = +, 1- = -
Rigging points:	12 x M10
Dimensions (W x H x D):	379 x 631 x 378 mm 14.92" x 24.84" x 14.88"
Weight:	22.1 kg, 48.62 lbs
Optional accessories:	WB A12 U wall mount TE M10 eyebolt set

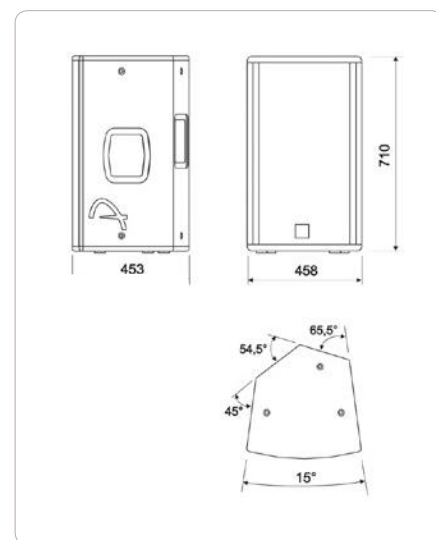
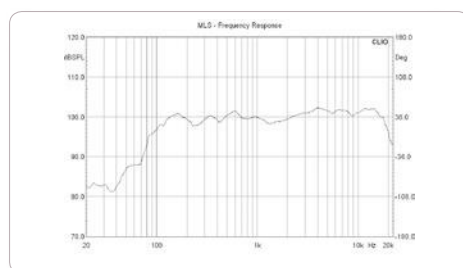
* RMS when operated in the range of 20Hz to 20kHz; pink noise spectrum; peak power handling measured over two hours with a +6 dB crest factor

ARENA 15 PRO 15"/1.4" two-way loudspeaker

The ARENA 15 PRO is a high-performance, two-way fullrange cabinet with a 15" woofer and a 1.4" HF driver. Tuned to deliver truest response, it delivers powerful performance even when used as the main means of sound reinforcement without a connected subwoofer. Equally impressive are its great dynamic range, precise response, and high max sound pressure level of 133 dB. It is indeed an excellent fullrange FOH enclosure and a powerful floor monitor.

Loaded with a powerful 15" RCF woofer and a 1.4" RCF neodymium compression driver, its rotatable aluminum 90° x 40° CD horn may be aligned to suit the sound reinforcement scenario. The enclosure's power handling capacity is 500 watts RMS, its maximum SPL is 133 dB at 1W@1m, and its impedance is 8 ohms. Two Speakon connectors are available, one of which may be used as a parallel output.

Weighing 26.2 kg, the multiplex enclosure is equipped with twelve M10 rigging points for easy, fast installation. A stable metal grille backed with laminated acoustic foam rubber protects the speakers.



ARENA 15 PRO Technical data

► Audio data

Power handling (nominal)*:	500 W RMS
Power handling (program):	1000 W
Power handling (peak):	1500 W
Impedance:	8 ohms
Sensitivity 1W@1m:	100 dB
Max SPL:	133 dB
Frequency response -10 dB:	60 Hz - 20 kHz
Frequency response +3 dB:	70 Hz - 19 kHz
Low/mid woofer:	15" RCF, 3" voice coil
High frequency driver:	1.4" RCF neodymium compression driver, 2.5" voice coil
High frequency protection:	PTC
Horn:	90° x 40°, rotatable aluminum horn
Crossover frequency:	1400 Hz, 18 dB/octave

► Hardware

Enclosure:	Multiplex, structured black paint
Handles:	Two side grips
Pole mount:	36 mm
Angles up:	45° for monitor applications
Grille:	Metal backed with acoustic foam rubber
Connectors:	Two Speakon NL 4s, pin 1+ = +, 1- = -
Rigging points:	12 x M10
Dimensions (W x H x D):	458 x 710 x 453 mm 18.03" x 27.95" x 17.83"
Weight:	26.2 kg, 57.64 lbs
Optional accessories:	WB A15 U wall mount TE M10 eyebolt set

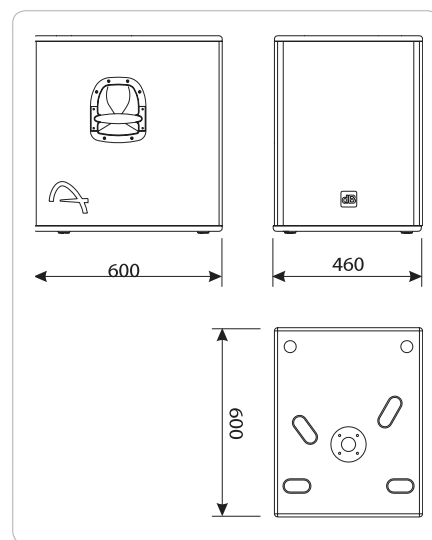
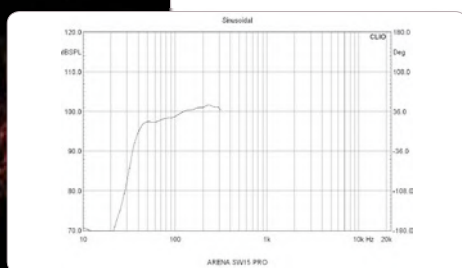
* RMS when operated in the range of 20Hz to 20kHz; pink noise spectrum; peak power handling measured over two hours with a +6 dB crest factor

ARENA SW15 PRO 15" subwoofer system

The ARENA SW15 PRO is a compact, high-performance subwoofer housed in a bass reflex enclosure. Its impulse response is amazingly true, rendering low-end frequencies with hair-trigger precision in a tight, finely contoured sonic image. Deployed to stand alone or in a double stack, it is an excellent choice for FOH applications. What's more, its powerful punch makes it your subwoofer of choice for drum fills.

Loaded with a 15" RCF PRECISION woofer featuring a 3" inside/outside voice coil, its power handling capacity is 500 watts RMS. Its maximum SPL is 132 dB at 1W@1m, and its impedance is 8 ohms. Two Speakon connectors are available, one of which may be used as a parallel output. Made of multiplex coated with a robust black textured finish, the housing offers an M20 threaded shaft for a mounting pole, routed cups on the top panel designed to take another enclosure's feet for stacking, and threaded shafts on the rear panel that accept casters. A stable metal grille backed with laminated acoustic foam rubber protects the speakers.

The ARENA SW15 PRO is the perfect counterpart to ARENA 10 PRO and 12 PRO fullrange speakers for configuring powerful active three-way satellite systems.



ARENA SW15 PRO Technical data

► Audio data

Power handling (nominal)*:	500 W RMS
Power handling (program):	1000 W
Power handling (peak):	1500 W
Impedance:	8 ohms
Sensitivity 1W@1m:	99 dB
Max SPL:	132 dB
Frequency response -10 dB:	35 Hz - x-over
Frequency response +3 dB:	40 Hz - x-over
Bass woofer:	15" RCF, 3" voice coil
Recommended crossover frequency:	active, LP: 100 - 130 Hz, 24 dB/octave HP: 30 Hz, 12 dB/ octave (subsonic)

► Hardware

Enclosure:	Multiplex, structured black paint
Handles:	Two side-mounted grips
Pole mount:	M20
Casters:	Threaded shafts on the rear panel, ready for casters
Grille:	Metal backed with acoustic foam rubber
Connectors:	Two Speakon NL 4s, pin 1+ = +, 1- = -
Dimensions (W x H x D):	460 x 600 x 600mm, 18.11" x 23.62" x 23.62"
Weight:	34.8 kg, 76.56 lbs
Optional accessories:	100 mm caster set Protective cover

* RMS when operated in the range of 20Hz to 20kHz; pink noise spectrum; peak power handling measured over two hours with a +6 dB crest factor

ARENA SW18 PRO 18" subwoofer system

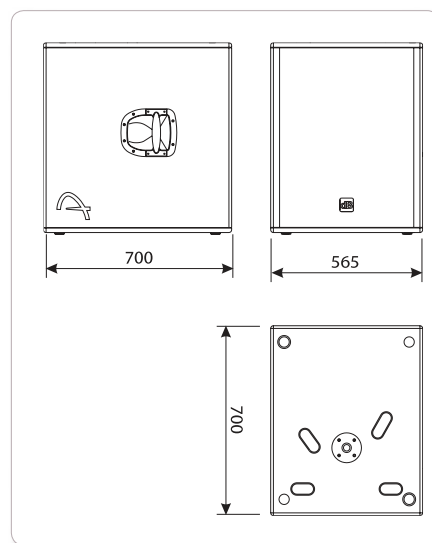
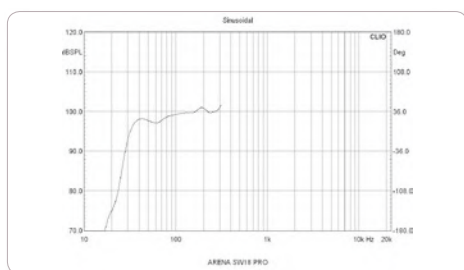
The ARENA SW18 PRO is a powerful high-capacity 18" subwoofer housed in a bass reflex enclosure with a low limiting frequency of 35 Hz. Developed specifically to provide a big low-end boost for high-performance fullrange speakers, this bass bin's hallmarks include remarkably dynamic performance and a powerful punch even at very low frequencies.

Loaded with a premium 18" RCF PRECISION neodymium woofer featuring a 4" voice coil and neodymium magnets for minimal power compression, its power handling capacity is 1000 watts RMS. Its maximum SPL is 134 dB at 1W@1m at 8 ohms impedance. Two Speakon connectors are available, one of which may be used as a parallel output.



Made of multiplex coated with a robust black textured finish, the housing offers an M20 threaded shaft for a mounting pole, routed cups on the top panel designed to take another enclosure's feet for stacking, and threaded shafts on the rear panel that accept casters. A stable metal grille backed with laminated acoustic foam rubber protects the speakers.

Paired with ARENA 12 PRO or 15 cabinets, the ARENA SW18 PRO serves to create powerful three-way PA systems that deliver persuasive performance for professional applications.



ARENA SW18 PRO Technical data

► Audio data

Power handling (nominal)*:	1000 W RMS
Power handling (program):	2000 W
Power handling (peak):	3000 W
Impedance:	8 ohms
Sensitivity 1W@1m:	98 dB
Max SPL:	134 dB
Frequency response -10 dB:	28 Hz - x-over
Frequency response +3 dB:	35 Hz - x-over
Bass woofer:	18" RCF neodymium woofer, 4" voice coil
Recommended crossover frequency:	aktiv, LP: 100 - 130 Hz, 24 dB/oktave HP: 25 Hz, 12 dB/ oktave (Subsonic)

► Hardware

Enclosure:	Multiplex, structured black paint
Handles:	Two side grips
Pole mount:	M20
Casters:	Threaded shafts on the rear panel,
ready for casters	
Grille:	Metal backed with acoustic foam rubber
Connectors:	Two Speakon NL 4s, pin 1+ = +, 1- = -
Dimensions (W x H x D):	565 x 700 x 700mm 22.24" x 27.56" x 27.56"
Weight:	43.2 kg, 95 lbs
Optional accessories:	100 mm caster set

* RMS when operated in the range of 20Hz to 20kHz; pink noise spectrum; peak power handling measured over two hours with a +6 dB crest factor



- ▶ **PRO 15-218:**
Comprises 2x ARENA 15 PRO,
4x ARENA SW18 PRO,
ASX18 active crossover or DSX24
Total power output 4,800 W/RMS



- ▶ **PRO 12-218:**
Comprises 2x ARENA 12 PRO,
4x ARENA SW18 PRO,
ASX18 active crossover or DSX24
Total power output 4,800 W/RMS

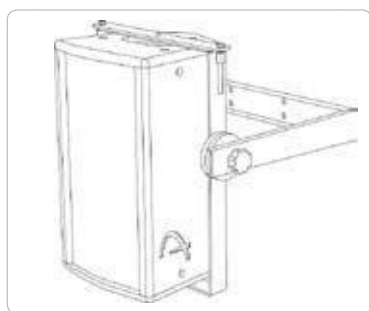


- ▶ **PRO 12-215:**
Comprises 2x ARENA 12 PRO,
4x ARENA SW15 PRO,
ASX18 active crossover or DSX24
Total power output 3,000 W/RMS



- ▶ **PRO 10-15:**
Comprises 2x ARENA 10 PRO,
2x ARENA SW15 PRO,
ASX18 active crossover or DSX24
Total power output 1,600 W/RMS

Accessories & applications

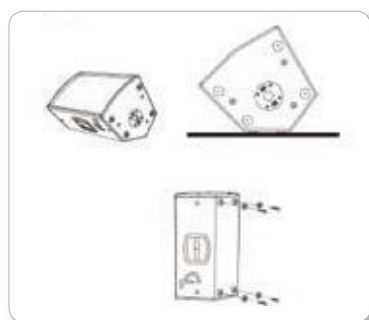


- ▶ WB A08 Arena 8 PRO Wall Mount
- ▶ WB A10 Arena 10 PRO Wall Mount
- ▶ WB A12 Arena 12 PRO Wall Mount
- ▶ WB A15 Arena 15 PRO Wall Mount
- ▶ WB A810 Arena 8/10 PRO Wall Mount, pivoting
- ▶ TE M10: Set with three rigging eyebolts with M10 thread
- ▶ TE M8: Set with three rigging eyebolts with M8 thread



- ASX18**
- ▶ Active two-way crossover
 - ▶ Variable crossover frequency
 - ▶ 2 x XLR/ Jack input
 - ▶ 2 x HF XLR output
 - ▶ 2 x LF XLR output

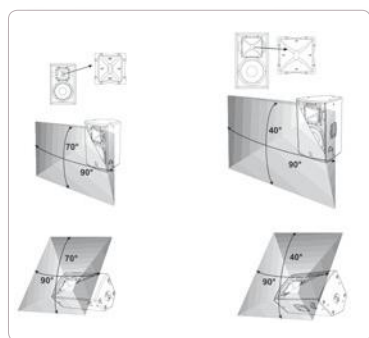
Applications



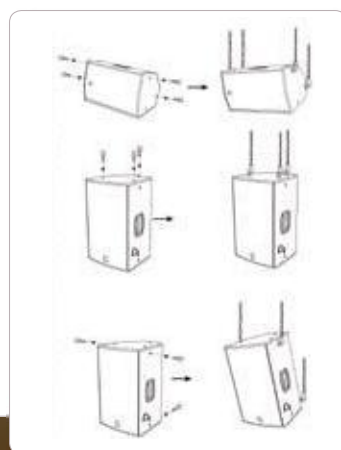
- ▶ **As a stage monitor**
Four more rubber feet may be attached to the slanted panel for monitoring purposes.



- ▶ **As a fullrange system**
on a speaker stand



- ▶ **Rotable CD-horns**
ARENA PRO speakers feature excellent high-frequency, constant directivity horns designed especially for this line. Shaped symmetrically, these horns may be rotated 90° to align them suit the given requirements.



- ▶ **Flown**

