

ARENA PRO



Passive speakers

ARENA PRO Serie

The ARENA PRO series is a line of passive speaker cabinets comprising four high-quality two-way enclosures loaded with 1" and 1.4" compression drivers, as well as two high-performance subwoofers. Equipped with an extensive feature set, these enclosures are well-suited for diverse mobile applications and fixed installations. All mid-/high-range units come in a multifunctional multiplex housing equipped with a pole mount, a slanted rear panel enabling convenient monitoring, and up to twelve professional-grade M8 or M10 rigging points.

Loaded with high-quality speakers made of Premium RCF® components and ND series neodymium compression drivers, all models are engineered to handle considerable loads, deliver high sound pressure levels, and satisfy professional demands. They also sport aluminum CD (constant directivity) high-frequency horns designed especially for this line. Shaped symmetrically to enable 90° rotation, these horns are adjustable, easily aligned to suit the given sound reinforcement situation.

Remarkably light and equipped with ergonomic grips handles, these cabinets are easily handled. Coated with robust black textured paint, all models also sport a rugged grille backed with acoustic foam rubber.



Versatile and robust

- ▶ High-quality multifunctional housings made of multiplex coated with a rugged black textured finish
- ▶ Professional-grade M8/M10 threaded rigging points
- ▶ Professional Speakon connectors, Parallel Output included
- ▶ Protective cover included (ARENA 8/10/12/15 PRO)
- ▶ Subwoofer's threaded M20 base ready to accept a pole mount

High-quality RCF® speaker components

- ▶ Rotatable high-frequency, wide-dispersion horns painstakingly engineered for excellent directivity and made of aluminum to keep drivers cool
- ▶ RCF PRECISION woofer with double voice coils (excepting the 8" model) for highest load-handling and minimum power compression; the SW 18 PRO also features a neodymium magnet
- ▶ RCF PRECISION neodymium high-frequency Direct Drive driver and high-quality tweeter cones made of Mylar or titanium
- ▶ High-quality passive voice crossovers featuring PTC tweeter protection
- ▶ With Dynamic Horn Processing DHP™ Bi-Amp performance of Arena 12 and 15 PRO is achieved with only one amplifier channel. This reduces costs, rackspace and controlling.

Easy mounting and transport

- ▶ Professional accessories optionally available
- ▶ Subwoofer ready to accept professional-grade casters

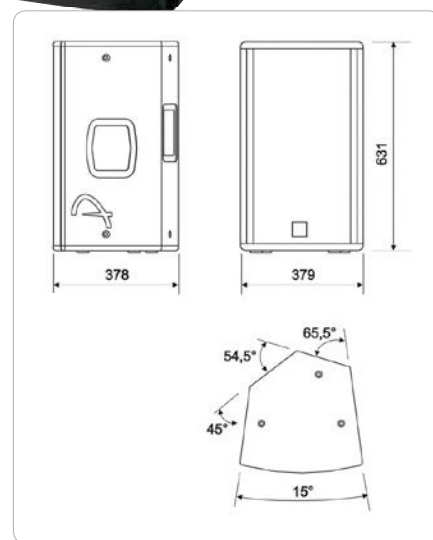
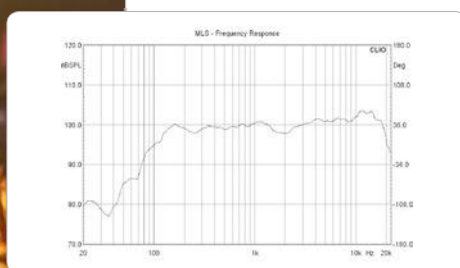
ARENA 12 PRO 12"/1.4" two-way loudspeaker



The ARENA 12 PRO is a high-performance, two-way loudspeaker loaded with a premium-quality 12" woofer and 1.4" HF driver - excellent components enabling versatile deployment for professional applications. The enclosure excels at rendering live signals, courtesy of its outstanding dynamic response and very high sound pressure levels. The painstakingly tuned 1.4" driver accurately renders even the finest nuances of instruments and voices with great detail, definition, and amazingly true response, making this your first-choice stage monitor.

Loaded with a powerful 12" RCF woofer and a 1.4" RCF neodymium compression driver, its rotatable aluminum 90° x 40° CD horn may be aligned to suit the sound reinforcement scenario. The enclosure's power handling capacity is 500 watts RMS, its maximum SPL is 133 dB at 1W@1m, and its impedance is 8 ohms. Two Speakon connectors are available, one of which may be used as a parallel output. Weighing 22.1 kg, the multiplex enclosure is equipped with twelve M10 rigging points for easy, fast installation. A stable metal grille backed with laminated acoustic foam rubber protects the speakers.

Paired with an ARENA SW18 PRO subwoofer, this enclosure displays all its ample audio powers, including finely contoured low-mids with accurate low-frequency differentiation as well as punchy yet clear midrange and top end for medium-to-long-throw applications.



ARENA 12 PRO Technical data

► Audio data

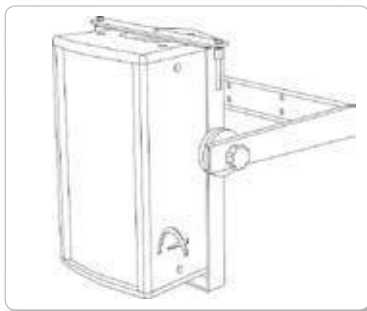
Power handling (nominal)*:	500 W RMS
Power handling (program):	1000 W
Power handling (peak):	1500 W
Impedance:	8 ohms
Sensitivity 1W@1m:	100 dB
Max SPL:	133 dB
Frequency response -10 dB:	60 Hz - 20 kHz
Frequency response +3 dB:	90 Hz - 19 kHz
Low/mid woofer:	12" RCF, 3" voice coil
High frequency driver:	1.4" RCF neodymium compression driver, 2.5" voice coil
High frequency protection:	PTC
Horn:	90° x 40°, rotatable aluminum horn
Crossover frequency:	1400 Hz, 18 dB/octave

► Hardware

Enclosure:	Multiplex, structured black paint
Handles:	Two side grips
Pole mount:	36 mm
Angles up:	45° for monitor applications
Grille:	Metal backed with acoustic foam rubber
Connectors:	Two Speakon NL 4s, pin 1+ = +, 1- = -
Rigging points:	12 x M10
Dimensions (W x H x D):	379 x 631 x 378 mm 14.92" x 24.84" x 14.88"
Weight:	22.1 kg, 48.62 lbs
Optional accessories:	WB A12 U wall mount TE M10 eyebolt set

* RMS when operated in the range of 20Hz to 20kHz; pink noise spectrum; peak power handling measured over two hours with a +6 dB crest factor

Accessories & applications

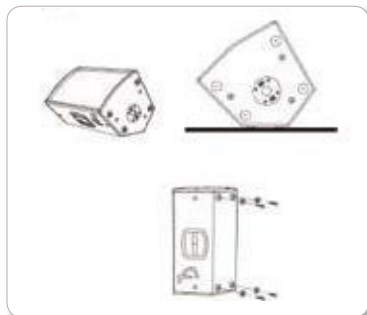


- ▶ WB A08 Arena 8 PRO Wall Mount
- ▶ WB A10 Arena 10 PRO Wall Mount
- ▶ WB A12 Arena 12 PRO Wall Mount
- ▶ WB A15 Arena 15 PRO Wall Mount
- ▶ WB A810 Arena 8/10 PRO Wall Mount, pivoting
- ▶ TE M10: Set with three rigging eyebolts with M10 thread
- ▶ TE M8: Set with three rigging eyebolts with M8 thread



- ASX18**
- ▶ Active two-way crossover
 - ▶ Variable crossover frequency
 - ▶ 2 x XLR/ Jack input
 - ▶ 2 x HF XLR output
 - ▶ 2 x LF XLR output

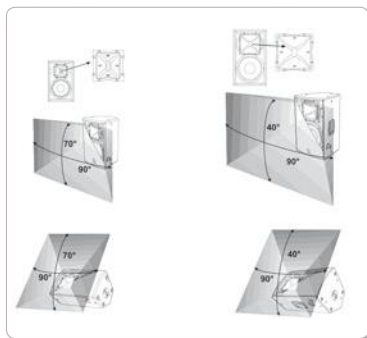
Applications



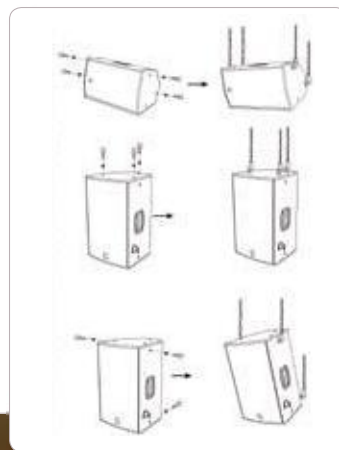
- ▶ **As a stage monitor**
Four more rubber feet may be attached to the slanted panel for monitoring purposes.



- ▶ **As a fullrange system**
on a speaker stand



- ▶ **Rotable CD-horns**
ARENA PRO speakers feature excellent high-frequency, constant directivity horns designed especially for this line. Shaped symmetrically, these horns may be rotated 90° to align them suit the given requirements.



- ▶ **Flown**

