

The B4 subwoofer

B4 subwoofer

The B4-SUB is an actively driven cardioid subwoofer powered by a single amplifier channel. It houses two long excursion neodymium drivers in an integrated cardioid setup: a 15" driver in a bass-reflex design facing to the front and a 12" driver in a two chamber bandpass design radiating to the rear. The cardioid dispersion pattern resulting from this approach avoids unwanted energy behind the system that greatly reduces the reverberant field at low frequencies and provides the greatest accuracy of low frequency reproduction. The B4 subwoofer can only be used in a ground stacked configuration.

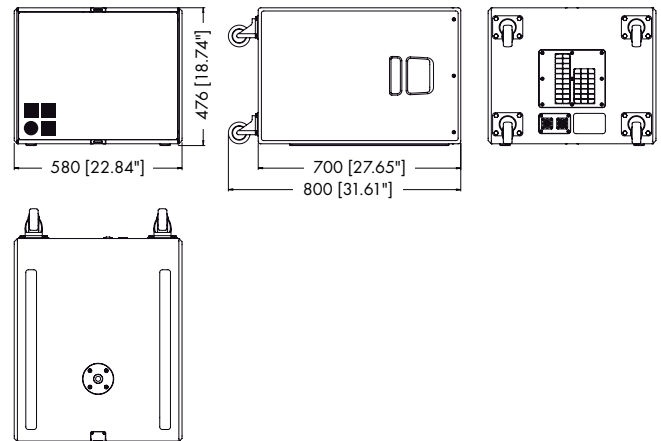
The B4-SUB cabinet is constructed from marine plywood and has an impact and Weather Resistant paint finish and a pair of handles. An M20 threaded flange in the top panel accepts the d&b Loudspeaker stand winder M20. The front of the loudspeaker cabinet is protected by a rigid metal grill in front of an acoustically transparent foam. Two runners extend from the rear to the front panel of the cabinet protecting the bottom panel against scratching. Two correspondingly shaped recesses are incorporated in the top panel of each cabinet that accept these runners to prevent cabinet movement when stacked. Mounted on the rear panel are four heavy duty wheels.

System data

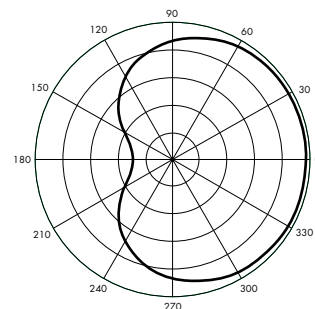
Frequency response (-5 dB standard)	40 -150 Hz
Frequency response (-5 dB 100 Hz mode)	40 -100 Hz
Max. sound pressure (1 m, free field) ¹	
with D6	128 dB
with D12	131 dB

Loudspeaker data

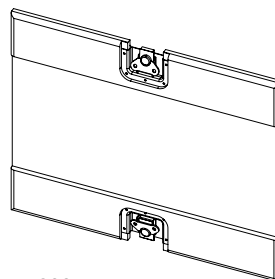
Nominal impedance	6 ohms
Power handling capacity (RMS/peak 10 ms)	500/2000 W
Components	
Front/Rear	15"/12" driver
Connection	2 x EP5, 2 x NL4 or 2 x NLT4 F/M
Pin assignments	
EP5	3/4, SenseDrive: 5
NL4 and NLT4 F/M	2+/2-
Weight	44 kg (97 lb)



B4-SUB cabinet dimensions in mm (inch)



Cardioid polar pattern



**E7922
B4-SUB Wooden lid**

¹ Broadband measurement, pink noise, crest factor 4, peak measurement, linear weighting