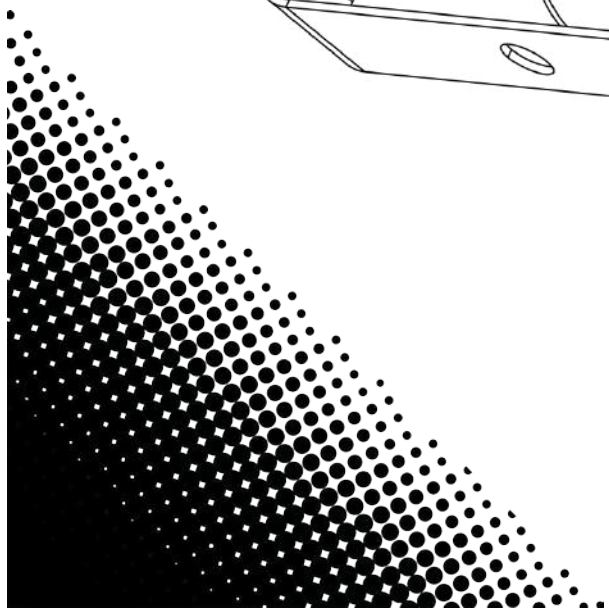
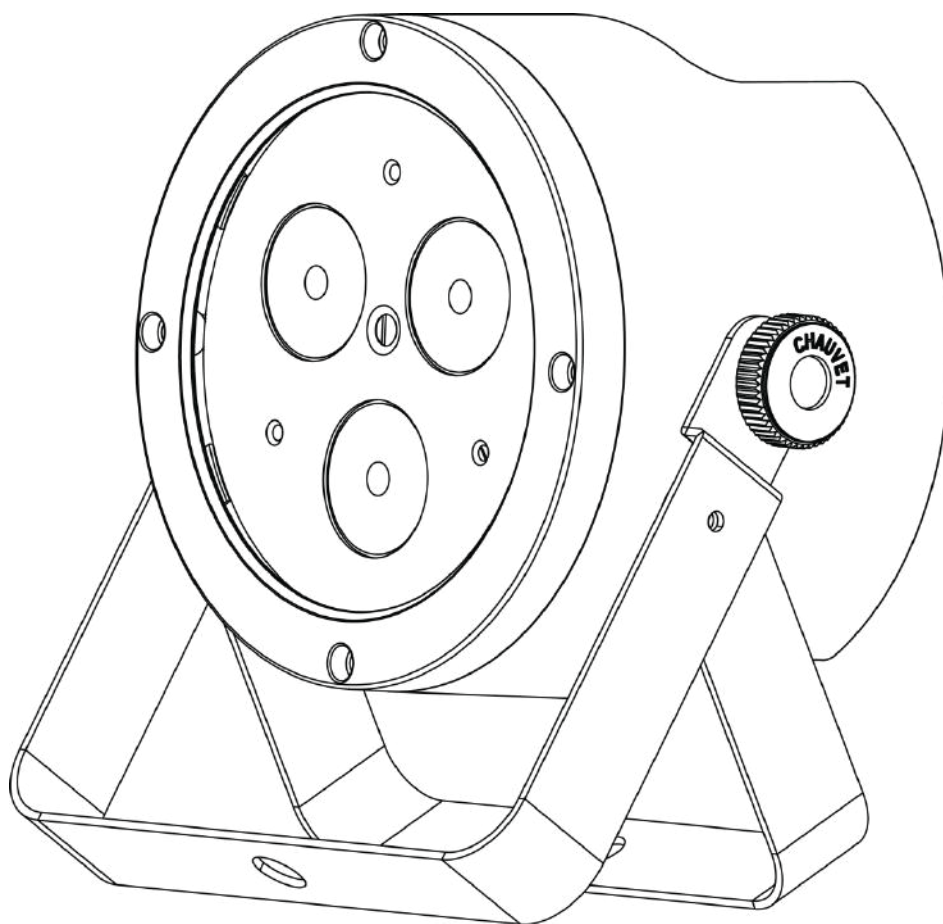


Slim**PAR**™ HEX **3 IRC**

User Manual



CHAUVET[®]**3**
It's **Green** Thinking.

TABLE OF CONTENTS

1. Before You Begin	3
What Is Included	3
Unpacking Instructions	3
Claims	3
Manual Conventions	3
Symbols	3
Disclaimer	3
Product at a Glance	4
Safety Notes	4
2. Introduction	5
Overview	5
Dimensions	6
3. Setup	7
AC Power	7
Fuse Replacement	7
Power Linking	8
Mounting	9
Orientation	9
Rigging	9
4. Operation	10
Control Panel Operation	10
Menu Map	10
Configuration (DMX)	11
Starting Address	11
DMX Channel Modes, Assignments, and Values	12
12-Channel	12
8-Channel	12
6-Channel	12
Configuration (Standalone)	13
Sound-Active Mode	13
Sound Sensitivity	13
Automatic Mode	13
Program Speed	13
Static Colors	14
Custom Color Mixing	14
Selecting the Dimmer Mode	14
Infrared (IR) Remote Control	14
IRC-6 Operation	15
Master/Slave Mode	16
5. Technical Information	17
Product Maintenance	17
6. Technical Specifications	18
Returns	19
Contact Us	20

1. BEFORE YOU BEGIN

What Is Included

- SlimPAR™ HEX 3 IRC
- Hanging Bracket with Mounting Hardware
- Power Cord
- Warranty Card
- Quick Reference Guide

Unpacking Instructions

Carefully unpack the product immediately and check the container to make sure all the parts are in the package and are in good condition.

Claims




If the box or the contents (the product and included accessories) appear damaged from shipping, or show signs of mishandling, notify the carrier immediately, not Chauvet. Failure to report damage to the carrier immediately may invalidate your claim. In addition, keep the box and contents for inspection.

For other issues, such as missing components or parts, damage not related to shipping, or concealed damage, file a claim with Chauvet within 7 days of delivery.

Manual Conventions

Convention	Meaning
1-512	A range of values
50/60	A set of values of which only one can be chosen
Settings	A menu option not to be modified
Menu > Settings	A sequence of menu options to be followed
<ENTER>	A key to be pressed on the product's control panel
ON	A value to be entered or selected

Symbols

Symbol	Meaning
	Critical installation, configuration, or operation information. Not following these instructions may make the product not work, cause damage to the product, or cause harm to the operator.
	Important installation or configuration information. The product may not function correctly if this information is not used.
	Useful information.

Disclaimer

The information and specifications contained in this User Manual are subject to change without notice. Chauvet assumes no responsibility or liability for any errors or omissions, and reserves the right to revise or recreate this manual at any time. Download the latest version from www.chauvetlighting.com.

© Copyright 2015 Chauvet. All rights reserved.

Electronically published by Chauvet in the United States of America.

Author	Date	Editor	Date
M. Trouard	1/30/2015	A. Leon	2/11/2015

Product at a Glance	Use on Dimmer	X	Auto Programs	P
	Outdoor Use	X	Auto-ranging Power Supply	P
	Sound-Active	P	Replaceable Fuse	P
	DMX	P	User-Serviceable	X
	Master/Slave	P		

Safety Notes These notes include important information about the mounting, usage, and maintenance of this product; read before using the product.



- Always connect the product to a grounded circuit to avoid the risk of electrocution.
- Always disconnect the product from the power source before cleaning or replacing the fuse.
- Avoid direct eye exposure to the light source while the product is on.
- Make sure the power cord is not crimped or damaged.
- Never disconnect the product from power by pulling or tugging on the cord.
- If mounting the product overhead, always secure to a fastening device using a safety cable.
- Make sure there are no flammable materials close to the product when operating.
- Do not touch the product's housing when operating because it may be very hot.



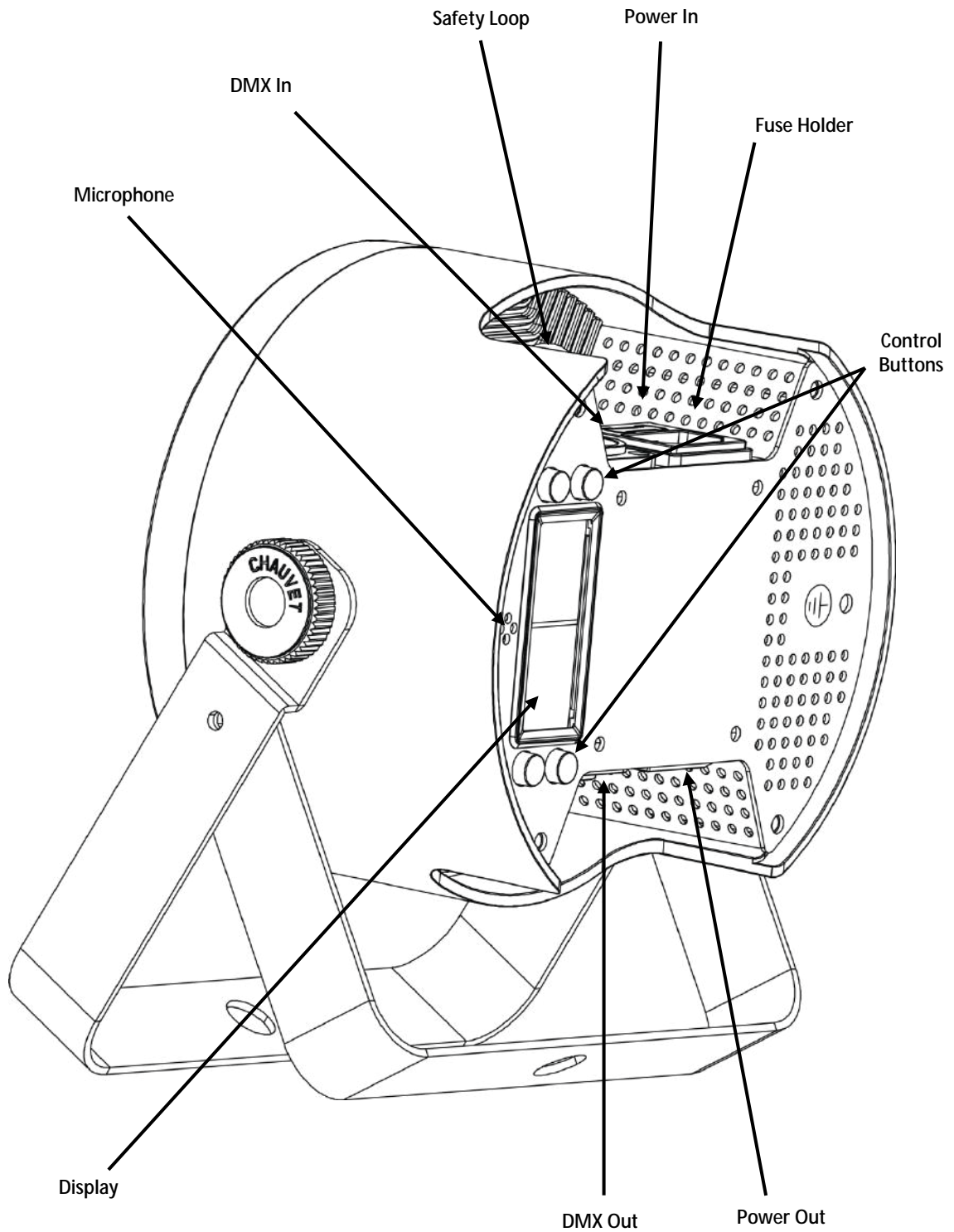
- Always make sure that the voltage of the outlet to which you are connecting the product is within the range stated on the decal or rear panel of the product.
- The product is for indoor use only! (IP20) To prevent risk of fire or shock, do not expose the product to rain or moisture.
- Always install the product in a location with adequate ventilation, at least 20 in (50 cm) from adjacent surfaces.
- Be sure that no ventilation slots on the product's housing are blocked.
- Never connect the product to a dimmer.
- Make sure to replace the fuse with another of the same type and rating.
- Never carry the product from the power cord or any moving part. Always use the hanging/mounting bracket or the handles.
- The maximum ambient temperature (Ta) is 104 °F (40 °C). Do not operate the product at higher temperatures.
- In the event of a serious operating problem, stop using the product immediately.
- Never try to repair the product. Repairs carried out by unskilled people can lead to damage or malfunction. Contact the nearest authorized technical assistance center.
- This product is not intended for permanent installation.
- To eliminate unnecessary wear and improve its lifespan, during periods of non-use completely disconnect the product from power via the breaker or by unplugging it.



- Keep this User Manual for future use. If you sell the product to another user, be sure to give this document to the next owner.

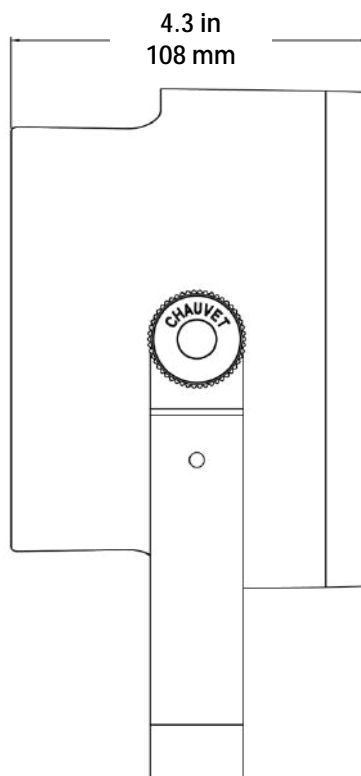
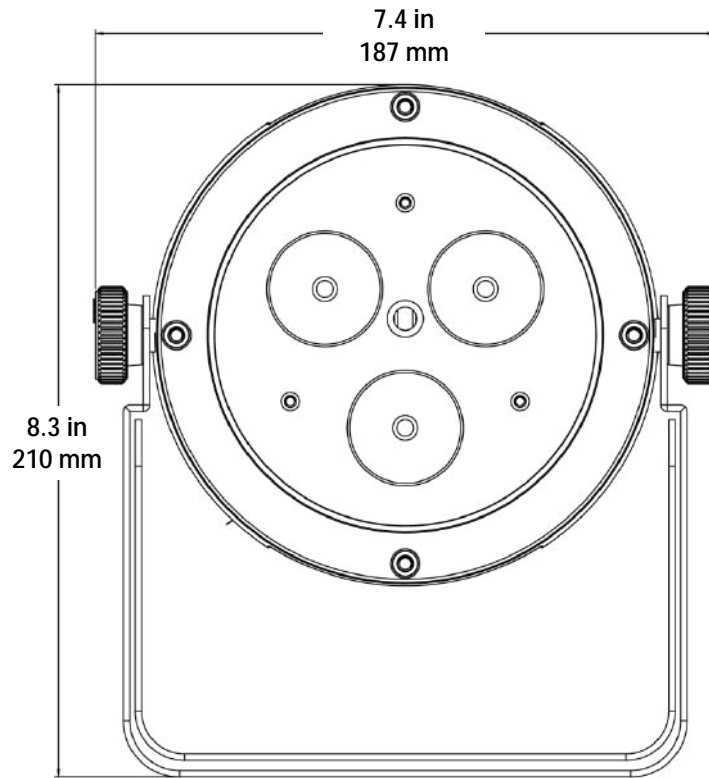
2. INTRODUCTION

Overview



Back Panel View

Dimensions



3. SETUP

AC Power The SlimPAR™ HEX 3 IRC has an auto-ranging power supply and it can work with an input voltage range of 100 to 240 VAC, 50/60 Hz.

To determine the product's power requirements (circuit breaker, power outlet, and wiring), use the current value listed on the label affixed to the product's back panel, or refer to the product's specifications chart. The listed current rating indicates the product's average current draw under normal conditions.

For more information, you may download Sizing Circuit Breakers from the Chauvet website: www.chauvetlighting.com/download/.



Always connect the product to a protected circuit (circuit breaker or fuse). Make sure the product has an appropriate electrical ground to avoid the risk of electrocution or fire.



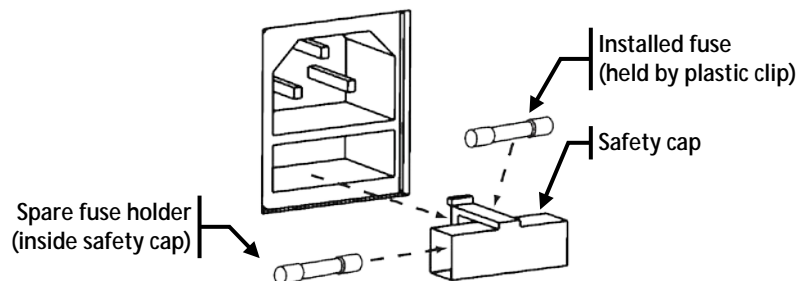
Never connect the product to a rheostat (variable resistor) or dimmer circuit, even if the rheostat or dimmer channel serves only as a 0–100% switch.

Fuse Replacement



Disconnect the product from power before replacing the fuse.

1. Disconnect the product from power.
2. Wedge the tip of a flat-head screwdriver into the slot of the fuse holder.
3. Pry the fuse holder out of the housing.
4. Remove the blown fuse from the holder.
5. Replace with a fuse of the exact same type and rating.
6. Insert the fuse holder back in place and reconnect power.

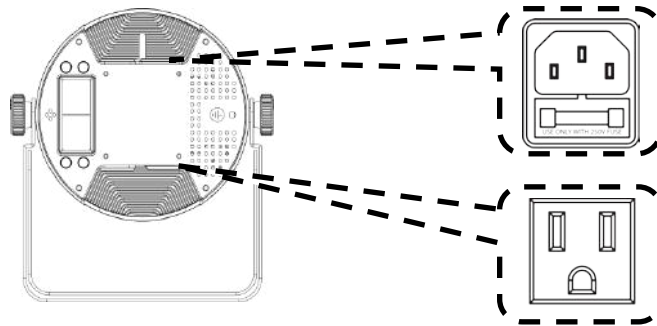


A spare fuse is not included; however, the safety cap has room for a spare.

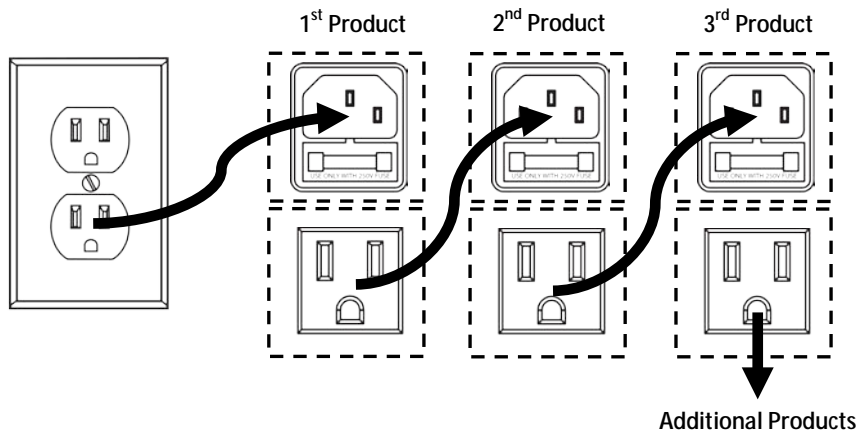


Always replace a blown fuse with another of the same type and rating.

Power Linking The product provides power linking via the Edison/IEC outlet located in the back of the unit.



Power Linking Diagram



You can power link up to 21 SlimPAR™ HEX 3 IRC units on 120 VAC or up to 39 SlimPAR™ HEX 3 IRC units on 230 VAC.

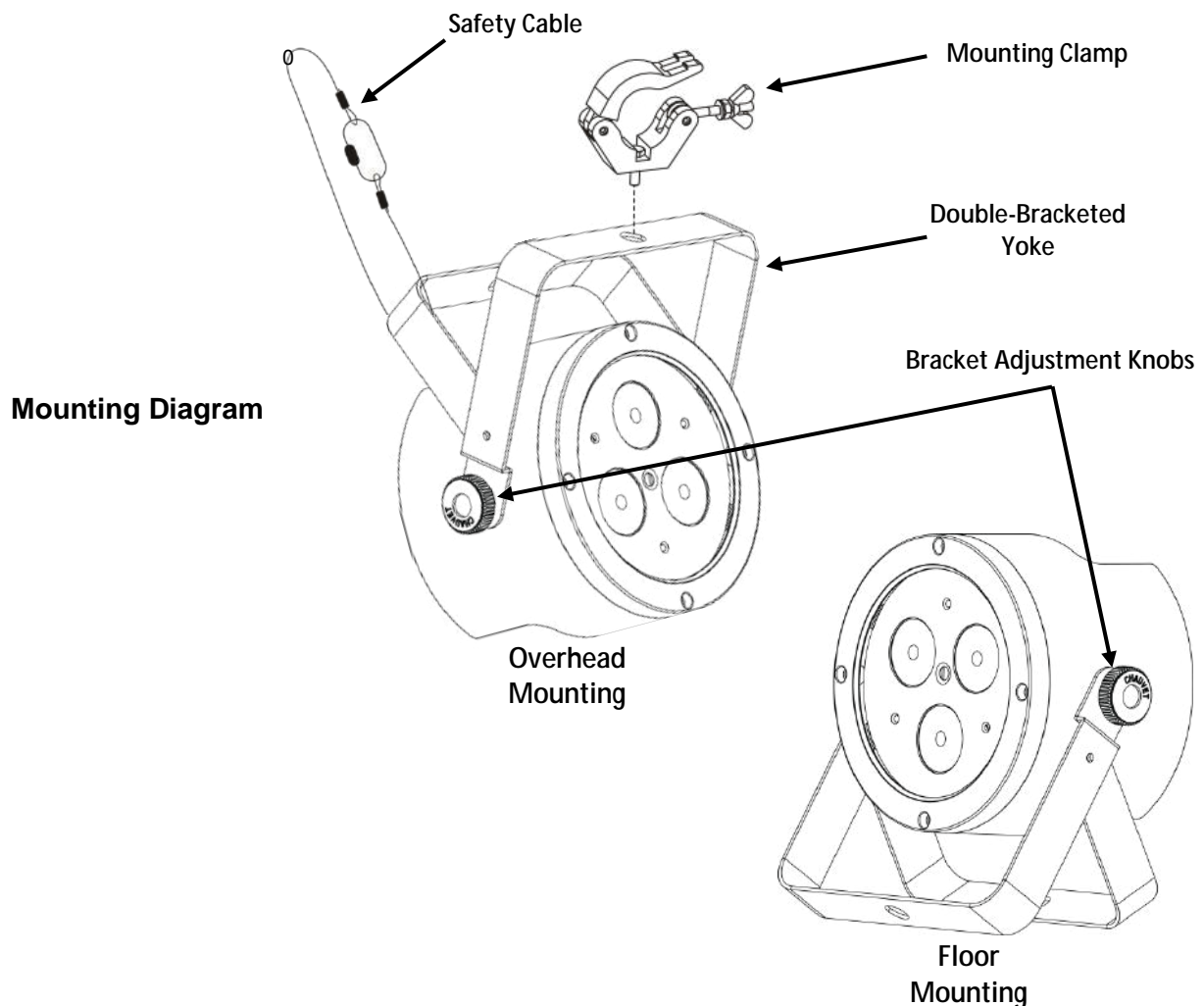


The power linking diagram shown above corresponds to the North American version of the product ONLY! If using the product in other markets, you must consult with the local Chauvet distributor as power linking connectors and requirements may differ in your country or region.

Mounting Before mounting the product, read and follow the safety recommendations indicated in the [Safety Notes](#). For the Chauvet line of mounting clamps, go to www.chauvetlighting.com/cables-clamps-main.html/.

Orientation The SlimPAR™ HEX 3 IRC may be mounted in any position; however, make sure adequate ventilation is provided around the product.

- Rigging**
- Before deciding on a location, always make sure there is easy access to the product for maintenance and programming.
 - Make sure that the structure or surface onto which you are mounting the product can support the product's weight (see the [Technical Specifications](#)).
 - When mounting the product overhead, always use a safety cable. Mount the product securely to a rigging point, such as an elevated platform or a truss.
 - When rigging the product onto a truss, you should use a mounting clamp of appropriate weight capacity. The brackets have a 13-mm hole, which is appropriate for this purpose.
 - When power linking multiple products, you must always consider the length of the power linking cable and mount the products close enough for the cable to reach.
 - The bracket adjustment knobs allow for directional adjustment when aiming the product to the desired angle. Only loosen or tighten the bracket knobs manually. Using tools could damage the knobs.
 - The double-bracketed yoke also serves as a floor support. When mounting the product on the floor, make sure that the product and cables are away from people and vehicles.



4. OPERATION

Control Panel Operation To access the control panel functions, use the four buttons surrounding the display.

Button	Function
<MENU>	Selects an operation mode or backs out of the current menu option
<UP>	Scrolls up the list of options or selects a higher value
<DOWN>	Scrolls down the list of options or selects a lower value
<ENTER>	Activates a menu option or a selected value

Menu Map

Mode	Programming Steps	Description
DMX Personalities and Starting Address	6-CH	d 1–d512 Selects the DMX personality and starting address
	8-CH	
	12CH	
Static Colors	C--	C 1–C 63 Selects static color
Auto Programs	P--	P 1–P 4 Selects auto program
Program Speed	S--	S 1–S100 Selects auto program speed (slow to fast)
Sound-Active Mode	Snd	Snd1 Selects sound-active program (6-color)
		Snd2 Selects sound-active program (63-color)
Sound Sensitivity	SenS	u 1–u100 Sets sound sensitivity
Custom Color Mixing	U--	r 0–r255 Red (0–100%)
		g 0–g255 Green (0–100%)
		b 0–b255 Blue (0–100%)
		A 0–A255 Amber (0–100%)
		W 0–W255 White (0–100%)
		P 0–P255 Ultraviolet (0–100%)
Dimmer Mode	DIM	OFF Dimmer, off
		dIM1 Dimmer, fast speed
		dIM2 Dimmer, medium speed
		dIM3 Dimmer, slow speed
Infrared	SET	On Turns infrared on or off
		OFF

Configuration (DMX) Set the product in DMX mode to control with a DMX controller.

1. Connect the product to a suitable power outlet.
2. Connect a DMX cable from the DMX output of the DMX controller to the DMX input socket on the product.

Starting Address When selecting a starting DMX address, always consider the number of DMX channels the selected DMX mode uses. If you choose a starting address that is too high, you could restrict the access to some of the product's channels.

The SlimPAR™ HEX 3 IRC uses up to 12 DMX channels in its 12-channel DMX mode, which defines the highest configurable address to **501**.

If unfamiliar with DMX, download the DMX Primer from www.chauvetlighting.com.

To select the DMX personality and starting address, do the following:

1. Press **<MENU>** repeatedly until **6-CH** (6-channel mode), **8-CH** (8-channel mode), or **12CH** (12-channel mode) shows on the display.
2. Press **<ENTER>** and **d 1—d512** shows on the display.
3. Use **<UP>** or **<DOWN>** to select the starting address.
4. Press **<ENTER>**.

DMX Channel Modes, Assignments, and Values

12-Channel	Channel	Function	Value	Setting
	1	Dimmer	000 ó 255	0 to 100%
	2	Red	000 ó 255	0 to 100%
	3	Green	000 ó 255	0 to 100%
	4	Blue	000 ó 255	0 to 100%
	5	Amber	000 ó 255	0 to 100%
	6	White	000 ó 255	0 to 100%
	7	Ultraviolet	000 ó 255	0 to 100%
	8	Strobe	000 ó 010	No function
			011 ó 255	Slow to fast
	9	Color	000 ó 015	No function
			016 ó 255	Color macros
	10	Auto Programs	000 ó 010	No function
			011 ó 050	Auto program 1
			051 ó 100	Auto program 2
			101 ó 150	Auto program 3
			151 ó 200	Auto program 4
			201 ó 225	Sound-Active mode (6-color)
			226 ó 255	Sound-Active mode (63-color)
	11	Speed	000 ó 255	Auto program speed (slow to fast)
	12	Dim Mode	000 ó 051	Dimmer mode manually set in Menu Options
			052 ó 101	Dimmer mode off
			102 ó 152	Dimmer mode 1 (fast speed)
			153 ó 203	Dimmer mode 2 (medium speed)
			204 ó 255	Dimmer mode 3 (slow speed)

8-Channel	Channel	Function	Value	Setting
	1	Dimmer	000 ó 255	0 to 100%
	2	Red	000 ó 255	0 to 100%
	3	Green	000 ó 255	0 to 100%
	4	Blue	000 ó 255	0 to 100%
	5	Amber	000 ó 255	0 to 100%
	6	White	000 ó 255	0 to 100%
	7	Ultraviolet	000 ó 255	0 to 100%
	8	Strobe	000 ó 010	No function
			011 ó 255	Slow to fast

6-Channel	Channel	Function	Value	Setting
	1	Red	000 ó 255	0 to 100%
	2	Green	000 ó 255	0 to 100%
	3	Blue	000 ó 255	0 to 100%
	4	Amber	000 ó 255	0 to 100%
	5	White	000 ó 255	0 to 100%
	6	Ultraviolet	000 ó 255	0 to 100%

Configuration (Standalone) Set the product in one of the standalone modes to control without a DMX controller.

- Connect the product to a suitable power outlet.



Never connect a product that is operating in any standalone mode (Static, Auto, or Sound-Active) to a DMX string connected to a DMX controller. Products in standalone mode may transmit DMX signals that could interfere with the DMX signals from the controller.

Sound-Active Mode To enable the Sound-Active mode, do the following:

1. Press **<MENU>** repeatedly until **Snd** shows on the display.
2. Press **<ENTER>** and **Snd1** (6-color) or **Snd2** (63-color) shows on the display.
3. Use **<UP>** or **<DOWN>** to select the desired Sound-Active program.
4. Press **<ENTER>**.

Sound Sensitivity To set the sound sensitivity, follow the instructions below:

1. Press **<MENU>** repeatedly until **SenS** shows on the display.
2. Use **<UP>** or **<DOWN>** to select the desired sound sensitivity (**u 0–u100**).
3. Press **<ENTER>**.



The product will only respond to low frequencies of music (bass and drums).

Automatic Mode To enable the Automatic mode, do the following:

1. Press **<MENU>** repeatedly until **P--** shows on the display.
2. Press **<ENTER>** and **P 1–P 4** shows on the display.
3. Use **<UP>** or **<DOWN>** to select the desired auto program:
 - **P 1** - 6-color snap
 - **P 2** - 6-color fade
 - **P 3** - 63-color snap
 - **P 4** - 63-color fade
4. Press **<ENTER>**.

Auto Program Speed To set the auto program speed, follow the instructions below:

1. Press **<MENU>** repeatedly until **S--** shows on the display.
2. Use **<UP>** or **<DOWN>** to select the desired auto program speed **S 1–S100** (slow to fast).
3. Press **<ENTER>**.

Static Colors To select a preset static color, do the following:

1. Press **<MENU>** repeatedly until **C--** shows on the display.
2. Press **<ENTER>** and **C 1—C 63** shows on the display.
3. Use **<UP>** or **<DOWN>** to select the desired preset color:
4. Press **<ENTER>**.

Custom Color Mixing To custom mix a color, follow the instructions below:

1. Press **<MENU>** repeatedly until **U--** shows on the display.
2. Press **<ENTER>** and one of the following colors shows on the display: **rXXX** (red), **gXXX** (green), **bXXX** (blue), **Axxx** (amber), **Wxxx** (white), or **Pxxx** (ultraviolet).
3. Press **<ENTER>** repeatedly to select the desired color.
4. Use **<UP>** or **<DOWN>** to select the desired color value (**0–255**).
NOTE: Selecting **0** will turn the color off.
5. Press **<ENTER>** to select color value and continue to the next color.
6. Repeat steps 3 to 5 until you create your desired color.

Selecting the Dimmer Mode To select the dimmer mode, do the following:

1. Press **<MENU>** repeatedly until **dim** shows on the display.
2. Press **<ENTER>** and one of the following shows on the display:
 - **OFF** (dimmer speed off)
 - **dim1** (dimmer mode 1, fast speed)
 - **dim2** (dimmer mode 2, middle speed)
 - **dim3** (dimmer mode 3, slow speed)
3. Use **<UP>** or **<DOWN>** to select the desired dimmer mode.
4. Press **<ENTER>**.

Infrared (IR) Remote Control Infrared functionality of the SlimPAR™ HEX 3 IRC allows the product to be controlled with an infrared remote controller. The IRC-6 available from Chauvet can remotely set the product to various modes, as well as adjust program speed and microphone sensitivity.

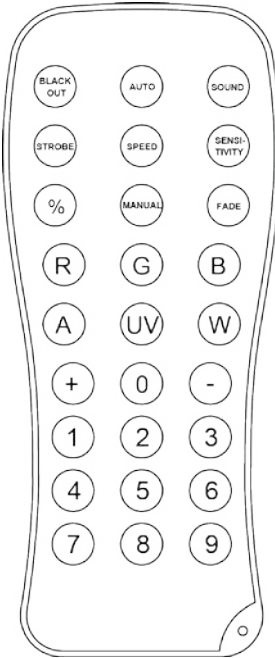
To turn on the infrared functionality, do the following:

1. Press **<MENU>** repeatedly until **SET** shows on the display.
2. Press **<ENTER>** and **On** or **OFF** shows on the display.
3. Press **<UP>** or **<DOWN>** to select **On** (turns on IR functionality) or **OFF** (turns off IR functionality).
4. Press **<ENTER>**.

IRC-6 Operation

The IRC-6 infrared remote control works only when it is pointed directly at the product and there is nothing in between the remote and the product. If the products are spaced far apart, the remote might need to be pointed at each product.

The next section describes how to use the IRC-6.



Auto Program Mode

Auto Program mode enables the auto programs on the product.

To use Auto Program mode, do the following:

1. Press **<AUTO>** on the IRC-6.
2. Press **<+>** or **<->** to choose an auto program.

To adjust the speed of the auto program, do the following:

1. Press **<SPEED>** on the IRC-6.
2. Press **<+>** or **<->** to increase or decrease the speed of the auto program.

Sound-Active Mode

Sound-Active mode enables the sound-active programs.

To use Sound-Active mode, do the following:

1. Press **<SOUND>** on the IRC-6.
2. Press **<+>** or **<->** to choose a sound-active program.

To adjust the sound sensitivity in Sound-Active mode, do the following:

3. Press **<SENSITIVITY>** on the IRC-6.
4. Press **<+>** or **<->** to either increase or decrease sound sensitivity.

Manual Color Selection

Manual color control enables selection of the 9 colors preprogrammed into the IRC-6.

To choose a specific color with the IRC-6, do the following:

1. Press **<MANUAL>** on the IRC-6.
2. Press any number between **<0>** and **<9>** to choose a color.

Manual Color Control

Manual color control enables individual adjustment for each color in the product.

To manually control the RGBAW+UV colors, do the following:

1. Press **<MANUAL>** on the IRC-6.
2. Press **<R>**, **<G>**, ****, **<A>**, **<UV>**, or **<W>** (red, green, blue, amber, ultraviolet, or white) to choose your color.
3. Press **<+>** or **<->** to increase or decrease the amount of the color.

Strobe

Strobe enables a variable strobe. Any program or color can be made to strobe. The product will strobe as it goes through the Auto Program or Sound-Active modes.

To enable, and adjust the rate of, the strobe, do the following:

1. Press **<STROBE>** on the IRC-6.
2. Press **<+>** or **<->** to increase or decrease the strobe rate.

To turn the strobe off, press **<STROBE>**.

Fade

Fade limits the Auto mode to the two programs that fade from color to color.

To enable fade, do the following:

1. Press **<FADE>** on the IRC-6.
2. Press **<+>** or **<->** to toggle between the two auto programs with fade.

To exit fade and return to snap with access to all auto programs, do the following:

3. Press **<AUTO>**.
4. Press **<+>** or **<->** to select an auto program.

Blackout

Blackout stops the signal from the IRC-6 to the product causing the product to go dark.

To black out the product, press **<BLACKOUT>** on the IRC-6.

To bring the product back on, press **<BLACKOUT>** on the IRC-6.



The IRC-6 will not respond to any inputs when Black Out is activated.

If the remote does not respond when a button is pressed, try pressing <BLACK OUT>.

You may have inadvertently activated Black Out.

Master/Slave Mode

The Master/Slave mode allows a single SlimPAR™ HEX 3 IRC unit (the “master”) to control the actions of one or more SlimPAR™ HEX 3 IRC units (the “slaves”) without the need of a DMX controller. The master unit will be set to operate in either Automatic or Sound-Active mode, while the slave units will be set to operate in Slave mode. Once set and connected, the slave units will operate in unison with the master unit.

Configure the units as indicated below.

Slave units:

1. Press **<MENU>** repeatedly until any DMX personality shows on the display.
2. Press **<ENTER>** to accept.
3. Set the DMX address to **d 1**.
4. Connect the DMX input of the first slave unit to the DMX output of the master unit.
5. Connect the DMX input of the subsequent slave units to the DMX output of the previous slave unit.
6. Finish setting and connecting all the slave units.

Master unit:

1. Set the master unit to operate in either Automatic or Sound-Active mode.
2. Make the master unit the first unit in the DMX daisy chain.

- **Configure all the slave units before connecting the master unit to the DMX daisy chain.**



- **Never connect a DMX controller to a DMX string configured for Master/Slave operation because the controller may interfere with the signals from the master unit.**

- **Do not connect more than 31 slave units to the master unit.**

5. TECHNICAL INFORMATION

Product Maintenance Dust build-up reduces light output performance and can cause overheating. This can lead to reduction of the light source's life and mechanical wear. To maintain optimum performance and minimize wear, clean the product at least twice a month. However, usage and environmental conditions contribute to increased cleaning frequency.

To clean the product, follow the instructions below:

1. Unplug the product from power.
2. Wait until the product is at room temperature.
3. Use a vacuum (or dry compressed air) and a soft brush to remove dust collected on the external surface/vents.
4. Clean all external optics and glass/transparent surfaces with a mild soap solution, ammonia-free glass cleaner, or isopropyl alcohol.
5. Apply the solution directly to a soft, lint-free cotton cloth or a lens cleaning tissue.
6. Softly wipe any dirt or grime to the outside edges of the external optics or glass/transparent surface.
7. Gently polish the external optics and glass/transparent surfaces until they are free of haze and lint.



Always dry the external optics and glass/transparent surfaces carefully after cleaning them.

6. TECHNICAL SPECIFICATIONS

Dimensions and Weight	Length	Width	Height	Weight
	8.3 in (210 mm)	7.4 in (187 mm)	4.3 in (108 mm)	3.6 lb (1.7 kg)
Note: Dimensions in inches rounded to the nearest decimal digit.				
Power	Power Supply Type	Range	Voltage Selection	
	Switching (internal)	100 to 240 VAC, 50/60 Hz	Auto-ranging	
	Parameter	120 V, 60 Hz	230 V, 50 Hz	
	Consumption	44 W	46 W	
	Operating current	0.4 A	0.2 A	
Power I/O	Power I/O	US/Worldwide	UK/Europe	
	Power input connector	IEC	IEC	
	Power output connector	Edison	N/A	
	Power Cord plug	Edison (US)	Local plug	
	Power linking current (units)	8 A (21 units)	8 A (39 units)	
Light Source	Type	Power	Lifespan	
	LED	10 W	50,000 hours	
	Color	Quantity	Current	
Photo Optic	Hex-color (RGBAW+UV)	3	2.4 A	
	Parameter			
	Illuminance @ 2 m	907 lx		
	Beam angle	23°		
	Field angle	41°		
Thermal	Strobe rate	0–17 Hz		
	UV Wavelength	400 to 410 nm		
Thermal	Maximum External Temp.	Cooling System		
	104 °F (40 °C)	Convection		
DMX	I/O Connectors	Connector Type	Channel Range	
	3-pin XLR	Sockets	6, 8 or 12	
Ordering	Product Name	Item Code	UPC Number	
	SlimPAR™ HEX 3 IRC	03030737	781462210854	



RETURNS

To return a product or request support:

- In the U.S., contact Chauvet World Headquarters. (See [Contact Us](#))
- In the UK or Ireland, contact Chauvet Europe Ltd. (See [Contact Us](#))
- In Mexico, contact Chauvet Mexico. (See [Contact Us](#))
- In any other country, DO NOT contact Chauvet. Contact your distributor. See www.chauvetlighting.com for distributors outside the U.S., United Kingdom, Ireland, or Mexico.



If you live outside the U.S., United Kingdom, Ireland, or Mexico, contact your distributor of record and follow their instructions on how to return Chauvet products to them. Visit our website for contact details.

Call the corresponding Chauvet Technical Support office and request a Return Merchandise Authorization (RMA) number before shipping the product. Be prepared to provide the model number, serial number, and a brief description of the cause for the return.

You must send the merchandise prepaid, in its original box, and with its original packing and accessories. Chauvet will not issue call tags.

Clearly label the package with the RMA number. Chauvet will refuse any product returned without an RMA number.



Write the RMA number on a properly affixed label. DO NOT write the RMA number directly on the box.

Before sending the product, clearly write the following information on a piece of paper and place it inside the box:

- Your name
- Your address
- Your phone number
- RMA number
- A brief description of the problem

Be sure to pack the product properly. Any shipping damage resulting from inadequate packaging will be your responsibility. FedEx packing or double-boxing are recommended.



Chauvet reserves the right to use its own discretion to repair or replace returned product(s).

CONTACT US

WORLD HEADQUARTERS - Chauvet

General Information

Address: 5200 NW 108th Avenue
Sunrise, FL 33351

Voice: (954) 577-4455

Fax: (954) 929-5560

Toll free: (800) 762-1084

Technical Support

Voice: (954) 577-4455 (Press 4)

Fax: (954) 756-8015

Email: tech@chauvetlighting.com

World Wide Web

www.chauvetlighting.com

UNITED KINGDOM AND IRELAND - Chauvet Europe Ltd.

General Information

Address: Unit 1C
Brookhill Road Industrial Estate
Pinxton, Nottingham, UK
NG16 6NT

Voice: +44 (0)1773 511115

Fax: +44 (0)1773 511110

Technical Support

Email:

uktech@chauvetlighting.com

World Wide Web

www.chauvetlighting.co.uk

MEXICO - Chauvet Mexico

General Information

Address: Av. Santa Ana 30
Parque Industrial Lerma
Lerma, Mexico C.P. 52000

Voice: +52 (728) 285-5000

Technical Support

Email: servicio@chauvet.com.mx

World Wide Web www.chauvet.com.mx

Outside the U.S., United Kingdom, Ireland, or Mexico, contact your dealer. Follow their instructions to request support or to return a product. Visit our website for contact details.