

# AT8662

GENUINE  
ACCESSORIES

## MICROPHONE SHOCK MOUNT (for Unipoint Series Gooseneck Microphones)



- Intended for use with gooseneck microphones mounted on lecterns, pulpits, conference tables and similar surfaces.
- Effectively isolates microphone from noise, shock and vibration transmitted through the mounting surface.
- Eliminates pickup of low-frequency resonances caused by mechanical coupling.

### DESCRIPTION

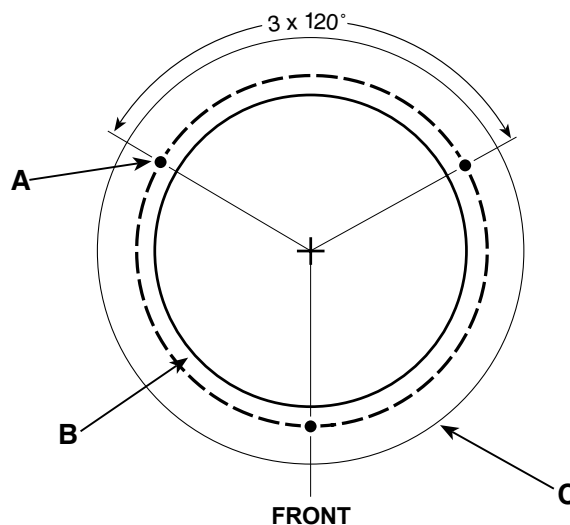
The Audio-Technica Shock Mount for Unipoint Series Gooseneck Microphones is designed to secure the Audio-Technica Unipoint series gooseneck microphones onto podiums, desktops, etc. The AT8662 effectively isolates the microphone from noise, shock and vibration transmitted through the mounting surface and eliminates pickup of low-frequency resonances caused by mechanical coupling. Ideal for use with 19mm diameter gooseneck and quick-mount type microphone using industrial standard XLRM 3-pin type connectors.

### COMPATIBLE MICROPHONES

UniPoint® Series	AT859QMLa	
	U857Q	U857QU
	U857QM	U857QMU
	U857QL	U857QLU
	U857QSU	
	U859QL	

### INSTALLATION

1. Locate the center of the mounting location and mark it. **Allow enough clearance to accommodate the shock mount's flange on the desired surface and make certain there are no physical obstructions below the desired location.**
2. Using a 51.0mm hole saw, drill the large through-hole for the shock mount.
3. Set the shock mount into the hole and mark the location of the three mounting screw holes. **Make certain to "center" the mount in the large hole before marking the three small mounting screw locations.**
4. Using a 1.5mm drill bit, drill three pilot holes for the mounting screws.
5. After installing the microphone, assure maximum shock mount effectiveness by providing some slack in the connecting cable.



### MOUNTING DIMENSIONS

- A** 1.5 mm pilot holes 3 places on 58.2mm circle.
- B** 51 mm thru-hole for mount clearance.
- C** Outside edge of flange, 71.0 mm diameter.